

 **BOEING**
COMPONENT
MAINTENANCE MANUAL

TO: ALL HOLDERS OF INBD TRAILING EDGE FLAP AFT FLAP ASSEMBLY COMPONENT
MAINTENANCE MANUAL 57-53-25

REVISION NO. 12 DATED NOV 01/05

HIGHLIGHTS

Pages which have been added or revised are outlined below together with the highlights of the revision. Remove and insert the affected pages as listed and enter Revision No. and date on the Record of Revision Sheet.

CHAPTER/SECTION

AND PAGE NO.

DESCRIPTION OF CHANGE

TITLE PAGE

Added new top assemblies 113T2301-33SP, -34SP, -35SP
and -36SP.

1

REPAIR 10-1
601

REPAIR 10-1
603

Updated per latest engineering.

803,806

Updated Fits & Clearances Section to replace (IPL
Fig. 1; 220) and (IPL Fig. 2; 104) with (IPL Fig. 1;
220B) and (IPL Fig. 2; 104B).

1002-1062,1064-1065,
1067,1070,1080G-1086Q,
1086U-1086W,1088A,1088D,
1088M-10920

Updated parts list to reflect latest engineering.

57-53-25

HIGHLIGHTS

01.1

Page 1

Nov 01/05

INBOARD TRAILING EDGE FLAP, AFT FLAP ASSEMBLY

PART NUMBERS 113T2301-1SP,-2SP,-5,-6,-7SP,-8SP,
-15 THRU -20,-25 THRU -30,
-31SP THRU -36SP
015T1415-69,-70,-79 THRU -86,
-93 THRU -96

COMPONENT MAINTENANCE MANUAL
WITH
ILLUSTRATED PARTS LIST

57-53-25

TITLE PAGE

Page 1

Nov 01/05

01.1

REVISION RECORD

- Retain this record in front of manual. On receipt of revision, insert revised pages in the manual, and enter revision number, date inserted and initial.

REVISION NUMBER	REVISION DATE	DATE FILED	BY	REVISION NUMBER	REVISION DATE	DATE FILED	BY

TEMPORARY REVISION AND SERVICE BULLETIN RECORD

BOEING SERVICE BULLETIN	BOEING TEMPORARY REVISION	OTHER DIRECTIVE	DATE OF INCORPORATION INTO MANUAL
57-0043 57-0043, Rev 2		MCB1111-001 PRR B11528 PRR B11528-2 PRR B11528-3 PRR B12388-1 MC 1110MP6141 PRRB13100-2	JAN 10/84 APR 10/87 APR 10/87 JUN 01/95 JUN 01/95 JUN 01/95 JUN 01/95 JUN 01/95 JUN 01/95 JUL 01/99

57-53-25

TR & SB RECORD

01.1

Page 1

Jul 01/99

PAGE	DATE	CODE	PAGE	DATE	CODE
57-53-25			REPAIR-GENERAL		
			601	JUL 01/99	01.1
			602	JUN 01/95	01.1
TITLE PAGE			603	JUN 01/95	01.1
*1	NOV 01/05	01.1	604	JUN 01/95	01.1
2	BLANK		REPAIR 1-1		
REVISION RECORD			601	JUL 01/99	01.1
1	JUN 01/95	01.1	602	JUL 01/99	01.1
2	BLANK		603	JUL 01/99	01.1
TR & SB RECORD			604	JUL 01/99	01.1
1	JUL 01/99	01.1	605	JUL 01/99	01.1
2	BLANK		606	BLANK	
LIST OF EFFECTIVE PAGES			REPAIR 2-1		
*1	NOV 01/05	01	601	JUL 01/99	01.1
THRU LAST PAGE			602	JUL 01/99	01.1
CONTENTS			603	JUL 01/99	01.1
1	JUN 01/95	01.1	604	JUL 01/99	01.1
2	BLANK		605	JUL 01/99	01.1
INTRODUCTION			606	BLANK	
1	JUN 01/95	01.1	REPAIR 3-1		
2	BLANK		601	JUL 01/99	01.1
DESCRIPTION & OPERATION			602	JUL 01/99	01.1
1	JUN 01/95	01.1	603	JUL 01/99	01.1
2	BLANK		604	JUL 01/99	01.1
DISASSEMBLY			605	JUL 01/99	01.1
301	JUN 01/95	01.1	606	BLANK	
302	BLANK		REPAIR 4-1		
CLEANING			601	JUL 01/99	01.1
401	JUL 01/99	01.1	602	JUL 01/99	01.1
402	BLANK		603	JUL 01/99	01.1
CHECK			604	JUL 01/99	01.1
501	MAR 01/00	01.1	605	JUL 01/99	01.1
502	BLANK		606	BLANK	
			REPAIR 5-1		
			601	JUL 01/99	01.1
			602	JUL 01/99	01.1
			603	JUL 01/99	01.1
			604	JUL 01/99	01.1

* = REVISED, ADDED OR DELETED

57-53-25

EFFECTIVE PAGES
CONTINUED Page 1
01 Nov 01/05

PAGE	DATE	CODE	PAGE	DATE	CODE
REPAIR 5-1		CONT.	REPAIR 11-1		
605	JUL 01/99	01.1	601	JUL 01/99	01.101
606	JUL 01/99	01.1	602	MAR 01/00	01.1
607	JUL 01/99	01.1			
608	BLANK		REPAIR 12-1		
REPAIR 6-1			601	JUL 01/99	01.101
601	JUL 01/99	01.1	602	JUL 01/99	01.1
602	JUL 01/99	01.1			
603	JUL 01/99	01.1	REPAIR 13-1		
604	JUL 01/99	01.1	601	JUL 01/99	01.1
REPAIR 7-1			602	JUN 01/95	01.1
601	JUL 01/99	01.1	603	JUL 01/99	01.1
602	JUL 01/99	01.1	604	JUL 01/99	01.1
603	JUL 01/99	01.1			
604	JUL 01/99	01.1	ASSEMBLY		
605	JUL 01/99	01.1	701	JUL 01/99	01.1
606	BLANK		702	JUL 01/99	01.1
REPAIR 8-1			703	JUL 01/99	01.1
601	JUL 01/99	01.1	704	JUL 01/99	01.1
602	JUL 01/99	01.1			
603	JUL 01/99	01.1	FITS AND CLEARANCES		
604	JUL 01/99	01.1	801	JUL 01/99	01.1
605	JUL 01/99	01.1	802	JUL 01/99	01.1
606	BLANK		*803	NOV 01/05	01.1
REPAIR 9-1			804	JUL 01/99	01.1
601	JUL 01/99	01.1	805	JUL 01/99	01.1
602	JUL 01/99	01.1	*806	NOV 01/05	01.1
603	JUL 01/99	01.1	807	JUL 01/99	01.1
604	JUN 01/95	01.1	808	BLANK	
REPAIR 10-1			ILLUSTRATED PARTS LIST		
*601	NOV 01/05	01.1	1001	JUN 01/95	01.1
602	JUL 01/99	01.1	*1002	NOV 01/05	01.1
*603	NOV 01/05	01.1	*1003	NOV 01/05	01.1
604	JUL 01/99	01.1	*1004	NOV 01/05	01.1
605	JUL 01/99	01.1	*1005	NOV 01/05	01.1
606	JUL 01/99	01.1	*1006	NOV 01/05	01.1
607	JUL 01/99	01.1	*1007	NOV 01/05	01.1
608	JUL 01/99	01.1	*1008	NOV 01/05	01.1
			*1009	NOV 01/05	01.1
			*1010	NOV 01/05	01.1
			*1011	NOV 01/05	01.1
			*1012	NOV 01/05	01.1

* = REVISED, ADDED OR DELETED

57-53-25

 EFFECTIVE PAGES
 CONTINUED Page 2
 01 Nov 01/05

PAGE	DATE	CODE	PAGE	DATE	CODE
ILLUSTRATED PARTS LIST		CONT.	ILLUSTRATED PARTS LIST		CONT.
*1013	NOV 01/05	01.1	*1055	NOV 01/05	01.1
*1014	NOV 01/05	01.1	*1056	NOV 01/05	01.1
*1015	NOV 01/05	01.1	*1057	NOV 01/05	01.1
*1016	NOV 01/05	01.1	*1058	NOV 01/05	01.1
*1017	NOV 01/05	01.1	*1059	NOV 01/05	01.1
*1018	NOV 01/05	01.1	*1060	NOV 01/05	01.1
*1019	NOV 01/05	01.1	*1061	NOV 01/05	01.1
*1020	NOV 01/05	01.1	*1062	NOV 01/05	01.1
*1021	NOV 01/05	01.1	*1063	BLANK	
*1022	NOV 01/05	01.1	*1064	NOV 01/05	01.1
*1023	NOV 01/05	01.1	*1065	NOV 01/05	01.1
*1024	NOV 01/05	01.1	*1066	NOV 01/05	01.1
*1025	NOV 01/05	01.1	*1067	NOV 01/05	01.1
*1026	NOV 01/05	01.1	*1068	NOV 01/05	01.1
*1027	NOV 01/05	01.1	*1069	NOV 01/05	01.1
*1028	NOV 01/05	01.1	*1070	NOV 01/05	01.1
*1029	NOV 01/05	01.1	*1071	NOV 01/05	01.1
*1030	NOV 01/05	01.1	*1072	NOV 01/05	01.1
*1031	NOV 01/05	01.1	*1073	NOV 01/05	01.1
*1032	NOV 01/05	01.1	*1074	NOV 01/05	01.1
*1033	NOV 01/05	01.1	*1075	NOV 01/05	01.1
*1034	NOV 01/05	01.1	*1076	NOV 01/05	01.1
*1035	NOV 01/05	01.1	*1077	NOV 01/05	01.1
*1036	NOV 01/05	01.1	*1078	NOV 01/05	01.1
*1037	NOV 01/05	01.1	*1079	NOV 01/05	01.1
*1038	NOV 01/05	01.1	*1080	NOV 01/05	01.1
*1039	NOV 01/05	01.1	*1080A	NOV 01/05	01.1
*1040	NOV 01/05	01.1	*1080B	NOV 01/05	01.1
*1041	NOV 01/05	01.1	*1080C	NOV 01/05	01.1
*1042	NOV 01/05	01.1	*1080D	NOV 01/05	01.1
*1043	NOV 01/05	01.1	*1080E	NOV 01/05	01.1
*1044	NOV 01/05	01.1	*1080F	NOV 01/05	01.1
*1045	NOV 01/05	01.1	*1080G	NOV 01/05	01.1
*1046	NOV 01/05	01.1	*1080H	NOV 01/05	01.1
*1047	NOV 01/05	01.1	*1080I	NOV 01/05	01.1
*1048	NOV 01/05	01.1	*1080J	NOV 01/05	01.1
*1049	NOV 01/05	01.1	*1080K	NOV 01/05	01.1
*1050	NOV 01/05	01.1	*1080L	NOV 01/05	01.1
*1051	NOV 01/05	01.1	*1080M	NOV 01/05	01.1
*1052	NOV 01/05	01.1	*1080N	NOV 01/05	01.1
*1053	NOV 01/05	01.1	*1080O	NOV 01/05	01.1
*1054	NOV 01/05	01.1	*1080P	NOV 01/05	01.1

* = REVISED, ADDED OR DELETED

57-53-25

EFFECTIVE PAGES
CONTINUED Page 3
01 Nov 01/05

PAGE	DATE	CODE	PAGE	DATE	CODE
ILLUSTRATED PARTS LIST		CONT.	ILLUSTRATED PARTS LIST		CONT.
*1080Q	NOV 01/05	01.1	*1084C	NOV 01/05	01.1
*1080R	NOV 01/05	01.1	*1084D	NOV 01/05	01.1
*1080S	NOV 01/05	01.1	*1084E	NOV 01/05	01.1
*1080T	NOV 01/05	01.1	*1084F	NOV 01/05	01.1
*1080U	NOV 01/05	01.1	*1084G	NOV 01/05	01.1
*1080V	NOV 01/05	01.1	*1084H	NOV 01/05	01.1
*1080W	NOV 01/05	01.1	*1084I	NOV 01/05	01.1
*1080X	NOV 01/05	01.1	*1084J	NOV 01/05	01.1
*1080Y	NOV 01/05	01.1	*1084K	NOV 01/05	01.1
*1080Z	NOV 01/05	01.1	*1084L	NOV 01/05	01.1
*1081	NOV 01/05	01.1	*1084M	NOV 01/05	01.1
*1082	NOV 01/05	01.1	*1084N	NOV 01/05	01.1
*1082A	NOV 01/05	01.1	*1084O	NOV 01/05	01.1
*1082B	NOV 01/05	01.1	*1084P	NOV 01/05	01.1
*1082C	NOV 01/05	01.1	*1084Q	NOV 01/05	01.1
*1082D	NOV 01/05	01.1	*1084R	NOV 01/05	01.1
*1082E	NOV 01/05	01.1	*1084S	NOV 01/05	01.1
*1082F	NOV 01/05	01.1	*1084T	NOV 01/05	01.1
*1082G	NOV 01/05	01.1	*1084U	NOV 01/05	01.1
*1082H	NOV 01/05	01.1	*1084V	NOV 01/05	01.1
*1082I	NOV 01/05	01.1	*1084W	NOV 01/05	01.1
*1082J	NOV 01/05	01.1	*1084X	NOV 01/05	01.1
*1082K	NOV 01/05	01.1	*1084Y	NOV 01/05	01.1
*1082L	NOV 01/05	01.1	*1084Z	NOV 01/05	01.1
*1082M	NOV 01/05	01.1	*1085	NOV 01/05	01.1
*1082N	NOV 01/05	01.1	*1086	NOV 01/05	01.1
*1082O	NOV 01/05	01.1	*1086A	NOV 01/05	01.1
*1082P	NOV 01/05	01.1	*1086B	NOV 01/05	01.1
*1082Q	NOV 01/05	01.1	*1086C	NOV 01/05	01.1
*1082R	NOV 01/05	01.1	*1086D	NOV 01/05	01.1
*1082S	NOV 01/05	01.1	*1086E	NOV 01/05	01.1
*1082T	NOV 01/05	01.1	*1086F	NOV 01/05	01.1
*1082U	NOV 01/05	01.1	*1086G	NOV 01/05	01.1
*1082V	NOV 01/05	01.1	*1086H	NOV 01/05	01.1
*1082W	NOV 01/05	01.1	*1086I	NOV 01/05	01.1
*1082X	NOV 01/05	01.1	*1086J	NOV 01/05	01.1
*1082Y	NOV 01/05	01.1	*1086K	NOV 01/05	01.1
*1082Z	NOV 01/05	01.1	*1086L	NOV 01/05	01.1
*1083	NOV 01/05	01.1	*1086M	NOV 01/05	01.1
*1084	NOV 01/05	01.1	*1086N	NOV 01/05	01.1
*1084A	NOV 01/05	01.1	*1086O	NOV 01/05	01.1
*1084B	NOV 01/05	01.1	*1086P	NOV 01/05	01.1

* = REVISED, ADDED OR DELETED

57-53-25

EFFECTIVE PAGES
 CONTINUED Page 4
 01 Nov 01/05

PAGE	DATE	CODE	PAGE	DATE	CODE
ILLUSTRATED PARTS LIST		CONT.	ILLUSTRATED PARTS LIST		CONT.
*1086Q	NOV 01/05	01.1	*1090C	NOV 01/05	01.1
*1086R	NOV 01/05	01.1	*1090D	NOV 01/05	01.1
*1086S	NOV 01/05	01.1	*1090E	NOV 01/05	01.1
*1086T	NOV 01/05	01.1	*1090F	NOV 01/05	01.1
*1086U	NOV 01/05	01.1	*1090G	NOV 01/05	01.1
*1086V	NOV 01/05	01.1	*1090H	NOV 01/05	01.1
*1086W	NOV 01/05	01.1	*1090I	NOV 01/05	01.1
*1086X	NOV 01/05	01.1	*1090J	NOV 01/05	01.1
*1086Y	NOV 01/05	01.1	*1090K	NOV 01/05	01.1
*1086Z	NOV 01/05	01.1	*1090L	NOV 01/05	01.1
*1087	NOV 01/05	01.1	*1090M	NOV 01/05	01.1
*1088	NOV 01/05	01.1	*1090N	NOV 01/05	01.1
*1088A	NOV 01/05	01.1	*1090O	NOV 01/05	01.1
*1088B	NOV 01/05	01.1	*1090P	NOV 01/05	01.1
*1088C	NOV 01/05	01.1	*1090Q	NOV 01/05	01.1
*1088D	NOV 01/05	01.1	*1090R	NOV 01/05	01.1
*1088E	NOV 01/05	01.1	*1090S	NOV 01/05	01.1
*1088F	NOV 01/05	01.1	*1090T	NOV 01/05	01.1
*1088G	NOV 01/05	01.1	*1090U	NOV 01/05	01.1
*1088H	NOV 01/05	01.1	*1090V	NOV 01/05	01.1
*1088I	NOV 01/05	01.1	*1090W	NOV 01/05	01.1
*1088J	NOV 01/05	01.1	*1090X	NOV 01/05	01.1
*1088K	NOV 01/05	01.1	*1090Y	NOV 01/05	01.1
*1088L	NOV 01/05	01.1	*1090Z	NOV 01/05	01.1
*1088M	NOV 01/05	01.1	*1091	NOV 01/05	01.1
*1088N	NOV 01/05	01.1	*1092	NOV 01/05	01.1
*1088O	NOV 01/05	01.1	*1092A	NOV 01/05	01.1
*1088P	NOV 01/05	01.1	*1092B	NOV 01/05	01.1
*1088Q	NOV 01/05	01.1	*1092C	NOV 01/05	01.1
*1088R	NOV 01/05	01.1	*1092D	NOV 01/05	01.1
*1088S	NOV 01/05	01.1	*1092E	NOV 01/05	01.1
*1088T	NOV 01/05	01.1	*1092F	NOV 01/05	01.1
*1088U	NOV 01/05	01.1	*1092G	NOV 01/05	01.1
*1088V	NOV 01/05	01.1	*1092H	NOV 01/05	01.1
*1088W	NOV 01/05	01.1	*1092I	NOV 01/05	01.1
*1088X	NOV 01/05	01.1	*1092J	NOV 01/05	01.1
*1088Y	NOV 01/05	01.1	*1092K	NOV 01/05	01.1
*1088Z	NOV 01/05	01.1	*1092L	NOV 01/05	01.1
*1089	NOV 01/05	01.1	*1092M	NOV 01/05	01.1
*1090	NOV 01/05	01.1	*1092N	NOV 01/05	01.1
*1090A	NOV 01/05	01.1	*1092O	NOV 01/05	01.1
*1090B	NOV 01/05	01.1	*1092P	BLANK	

* = REVISED, ADDED OR DELETED

57-53-25

EFFECTIVE PAGES
LAST PAGE Page 5
01 Nov 01/05

TABLE OF CONTENTS

<u>Paragraph Title</u>	<u>Page</u>
Description and Operation	1
Testing/Trouble Shooting (not applicable)	
Disassembly	301
Cleaning.	401
Check	501
Repair.	601
Assembly.	701
Fits and Clearances	801
Special Tools (not applicable)	
Illustrated Parts List.	1001

INTRODUCTION

The instructions in this manual provide the information necessary to perform maintenance functions ranging from simple checks and replacement to complete shop-type repair.

This manual is divided into separate sections:

- | | |
|--|------------------------------|
| 1. Title Page | 4. List of Effective Pages |
| 2. Record of Revisions | 5. Table of Contents |
| 3. Temporary Revision &
Service Bulletin Record | 6. Introduction |
| | 7. Procedures & IPL Sections |

Refer to the Table of Contents for the page location of applicable sections. An asterisked flagnote *[] in place of the page number indicates that no special instructions are provided since the function can be performed using standard industry practices.

The beginning of the REPAIR section includes a list of the separate repairs, a list of applicable standard Boeing practices and an explanation of the True Position Dimensioning symbols used.

An explanation of the use of the Illustrated Parts List is provided in the Introduction to that section.

All weights and measurements used in the manual are in English units, unless otherwise stated, when metric equivalents are given they will be in parentheses following the English units.

Design changes, optional parts, configuration differences and Service Bulletin modifications create alternate part numbers. These are identified in the Illustrated Parts List (IPL) by adding an alphabetical character to the basic item number. The resulting item number is called an alpha-variant. Throughout the manual, IPL basic item number references also apply to alpha-variants unless otherwise indicated.

Verification:

| Assembly May 23/86

57-53-25

INTRODUCTION

01.1

Page 1

Jun 01/95

INBOARD TRAILING EDGE FLAP, AFT FLAP ASSEMBLY

DESCRIPTION AND OPERATION

1. Description

A. The inboard trailing edge aft flap assembly is a bonded sandwich structure with an aluminum honeycomb core, aramid/epoxy skins on the lower surface and aluminum skin on the upper surface. There are also structural support ribs, attaching parts, fittings and retainer seals, a side strut and hinges.

2. Operation

A. The inboard trailing edge aft flap assembly is a component of the inboard trailing edge flap which increases lift at slow speeds during takeoff and landing.

3. Leading Particulars (approximate)

Length -- 200 inches
Width -- 12 inches
Thickness -- 10 inches
Weight -- 120 pounds

57-53-25

DESCRIPTION & OPERATION

01.1

Page 1

Jun 01/95

DISASSEMBLY

NOTE: Disassemble this component only as necessary to complete fault isolation, determine the serviceability of parts, perform required repairs and restore the unit to serviceable condition.

- | 1. Use standard industry practices and these special steps.
- | 2. When you must remove fittings bonded to the composite structure, refer to SOPM 20-10-08 for procedures.

57-53-25

DISASSEMBLY

01.1

Page 301

Jun 01/95

CLEANING

CAUTION: DO NOT VAPOR DEGREASE GRAPHITE/ARAMID EPOXY STRUCTURES WITH CHLORINATED CLEANING AGENTS SUCH AS METHYLENE CHLORIDE, TRICHLOROETHYLENE, OR TRICHLOROETHANE. CHLORINATED CLEANING AGENTS WILL CAUSE DAMAGE TO GRAPHITE/ARAMID EPOXY STRUCTURES.

CAUTION: 1,1,1-TRICHLOROETHANE IS ONE OF THE SOLVENTS APPROVED FOR CLEANING COMPOSITE COMPONENTS. DO NOT SOAK PARTS IN THE SOLVENT OR LET THE SOLVENT STAY ON THE PARTS OR DAMAGE COULD OCCUR. USE 1,1,1-TRICHLOROETHANE ONLY AS A WIPE SOLVENT.

1. Clean all parts with standard industry practices and the data in SOPM 20-30-03; unless they are composite bonded assemblies such as (IPL Fig. 1; 658, 694, 695, 708, 870, 871) (IPL Fig. 2; 416, 478, 480, 512, 772, 774).

57-53-25

01.1
CLEANING
Page 401
Jul 01/99

CHECK

1. Do a visual check for any obvious damage on all visible parts according to standard industry practice. Do the magnetic particle check or penetrant check if the cracks or damage are seen or if you think there are cracks or damage.
2. Magnetic particle check per 20-20-01 -- Retainer (IPL Fig. 1; 579, 582, 691) (IPL Fig 2; 326, 330 ,476).
3. Penetrant check per 20-20-02 -- Fitting (IPL Fig 1; 524, 542, 570A, 642, 643, 710, 712, 944, 946, 948, 968, 984, 993) (IPL Fig 2; 248, 268, 308, 396, 398, 524, 526, 878, 900, 918, 936), beam (IPL Fig 1; 560) (IPL Fig. 2; 292, 294), hinge fitting (IPL Fig 1; 600, 689) (IPL Fig. 2; 350, 352), rib (IPL Fig 1; 756, 758) (IPL Fig. 2; 570, 572, 574, 576), wedge spar (IPL Fig. 1; 995) (IPL Fig. 2; 942, 944).
4. Do a check of the honeycomb structure:
 - A. Do a check of the honeycomb and the bonded parts for delamination, internal water, scratches, and contour damage.
 - (1) If you see delamination or contour damage, do an ultrasonic check or a tap test to find all of the damage.

NOTE: For a tap test, use a solid metal disk and refer to the 767 Non-Destructive Test Manual, Part 1, 51-05-01.
 - (2) Examine areas that you think contain water radiographically or by thermography as shown in the 767 Non-Destructive Test Manual, Part 9, 51-00-01.
5. Refer to the 767 Structural Repair Manual 57-53-00 for damage limits and repair data.
6. Refer to Fits and Clearances for design dimensions and service wear limits.

57-53-25

CHECK

01.1

Page 501

Mar 01/00

REPAIR – GENERAL

1. Content

A. Repair, refinish and replacement procedures are included in separate repair sections as follows:

<u>P/N</u>	<u>NAME</u>	<u>REPAIR</u>
113T2313	RIB ASSEMBLY	1-1
113T2343	FITTING ASSEMBLY	2-1
113T2341	FITTING ASSEMBLY	3-1
113T2314	RIB ASSEMBLY	4-1
113T2342	HINGE ASSEMBLY	5-1
113T2344-5, -6	FITTING ASSEMBLY	6-1
113T2344-9	FITTING ASSEMBLY	7-1
113T2345	STRUT ASSEMBLY	8-1
113T2344-1, -3, -21, -25	FITTING ASSEMBLY	9-1
- - -	MISCELLANEOUS PARTS REFINISH	10-1
113T2108-3	BOLT ASSEMBLY	11-1
113T2108-8, -9	BOLT	12-1
- - -	FLAP ASSEMBLY REFINISH	13-1

2. Standard Practices

- A. Refer to the following standard practices, as applicable, for details of procedures in individual repairs.

20-10-03 Shot Peening
20-10-06 Repair of Conductive Coatings
20-10-04 Grinding of Chrome Plated Parts
20-20-02 Penetrant Methods of Inspection
20-30-02 Stripping of Protective Finishes
20-30-03 General Cleaning Procedures
20-41-01 Decoding Table for Boeing Finish Codes
20-41-02 Application of Chemical and Solvent Resistant Finishes
20-42-03 Hard Chrome Plating
20-42-05 Bright Cadmium Plating
20-43-01 Chromic Acid Anodizing
20-43-03 Chemical Conversion Coatings for Aluminum
20-50-03 Bearing Removal Installation and Retention
20-60-02 Finishing Materials
20-60-04 Miscellaneous Materials

57-53-25

REPAIR-GENERAL

01.1

Page 602

Jun 01/95

3. Materials

| NOTE: Equivalent substitutes can be used.

- A. Conditioner, static -- 28-C-1 (Ref 20-60-02)
- | B. Corrosion inhibiting compound -- BMS 3-23, Type 2 (Ref 20-60-02)
- | C. Corrosion preventive compound -- MIL-C-11796, class 3 (Ref 20-60-02)
- | D. Enamel -- BMS 10-60, Type 2, colors as necessary (Ref 20-60-02)
- E. Primer -- BMS 10-11, type 1 (Ref 20-60-02)
- F. Primer -- BMS 10-79, type 2 (Ref 20-60-02)
- G. Primer, corrosion inhibiting adhesive -- BMS 5-89 (Ref 20-60-04)
- H. Sealant -- BMS 5-95 (Ref 20-60-04)
- I. Surfacer -- 8-W-5 (Ref 20-60-02)
- | J. Teflon coating -- BMS 10-86, Type 1 or 2 (Ref 20-60-02)

| 4. Dimensioning Symbols

- | A. Standard True Position Dimensioning Symbols used in applicable repair procedures are shown in Fig. 601.

57-53-25

REPAIR-GENERAL

01.1

Page 603

Jun 01/95

—	STRAIGHTNESS	⊕	THEORETICAL EXACT POSITION OF A FEATURE (TRUE POSITION)
▭	FLATNESS	∅	DIAMETER
⊥	PERPENDICULARITY (OR SQUARENESS)	S ∅	SPHERICAL DIAMETER
//	PARALLELISM	R	RADIUS
○	ROUNDNESS	SR	SPHERICAL RADIUS
⊙	CYLINDRICITY	()	REFERENCE
⌒	PROFILE OF A LINE	BASIC (BSC) OR	A THEORETICALLY EXACT DIMENSION USED TO DESCRIBE SIZE, SHAPE OR LOCATION OF A FEATURE FROM WHICH PERMISSIBLE VARIATIONS ARE ESTABLISHED BY TOLERANCES ON OTHER DIMENSIONS OR NOTES.
△	PROFILE OF A SURFACE	DIM	
◎	CONCENTRICITY	-A-	DATUM
≡	SYMMETRY	Ⓜ	MAXIMUM MATERIAL CONDITION (MMC)
∠	ANGULARITY	Ⓛ	LEAST MATERIAL CONDITION (LMC)
↗	RUNOUT	Ⓢ	REGARDLESS OF FEATURE SIZE (RFS)
↗↗	TOTAL RUNOUT	Ⓟ	PROJECTED TOLERANCE ZONE
⊐	COUNTERBORE OR SPOTFACE	FIM	FULL INDICATOR MOVEMENT
∇	COUNTERSINK		

EXAMPLES

— 0.002	STRAIGHT WITHIN 0.002	◎ ∅ 0.0005 C	CONCENTRIC TO C WITHIN 0.0005 DIAMETER
⊥ 0.002 B	PERPENDICULAR TO B WITHIN 0.002	≡ 0.010 A	SYMMETRICAL WITH A WITHIN 0.010
// 0.002 A	PARALLEL TO A WITHIN 0.002	∠ 0.005 A	ANGULAR TOLERANCE 0.005 WITH A
○ 0.002	ROUND WITHIN 0.002	⊕ ∅ 0.002 Ⓢ B	LOCATED AT TRUE POSITION WITHIN 0.002 DIA RELATIVE TO DATUM B, REGARDLESS OF FEATURE SIZE
⊙ 0.010	CYLINDRICAL SURFACE MUST LIE BETWEEN TWO CONCENTRIC CYLINDERS, ONE OF WHICH HAS A RADIUS 0.010 INCH GREATER THAN THE OTHER	⊥ ∅ 0.010 Ⓜ A 0.510 Ⓟ	AXIS IS TOTALLY WITHIN A CYLINDER OF 0.010-INCH DIAMETER, PERPENDICULAR TO, AND EXTENDING 0.510-INCH ABOVE, DATUM A, MAXIMUM MATERIAL CONDITION
⌒ 0.006 A	EACH LINE ELEMENT OF THE SURFACE AT ANY CROSS SECTION MUST LIE BETWEEN TWO PROFILE BOUNDARIES 0.006 INCH APART RELATIVE TO DATUM PLANE A	2.000	THEORETICALLY EXACT DIMENSION IS 2.000
▭ 0.020 A	SURFACES MUST LIE WITHIN PARALLEL BOUNDARIES 0.02 INCH APART AND EQUALLY DISPOSED ABOUT TRUE PROFILE	OR 2.000 BSC	
NOTE: DATUM MAY APPEAR AT EITHER SIDE OF TOLERANCE FRAME		0.020 A A 0.020	

True Position Dimensioning Symbols
 Figure 601

57-53-25

REPAIR-GENERAL

01.1

Page 604

Jun 01/95

RIB ASSEMBLY – REPAIR 1-1

113T2313-1, -2

NOTE: Refer to REPAIR-GEN for list of applicable standard practices.

| 1. Bushing Replacement

- | A. Remove the bushing (IPL Fig 1; 752, 754) (IPL Fig 2; 566, 568).
- B. Repair rib bushing holes, if and as required, per paragraph 2.0.
- C. Install bushings per 20-50-03 using BMS 5-95 sealant.
- D. Machine bushings per Fig. 601.
- E. Fillet seal bushing flanges using BMS 5-95 sealant.
- F. Topcoat fillet seal with one coat BMS 10-60, BAC707 gray gloss enamel (SRF 14.9813).

| 2. Repair

- | A. Machine the bushing (IPL Fig 1; 752, 754) (IPL Fig 2; 566, 568) hole in the rib (IPL Fig. 1; 756) (IPL Fig. 2; 570, 572), as required, per Fig. 601.
- B. Penetrant check machined surfaces per 20-20-02.
- C. Shot peen machined surfaces per Fig. 601, after penetrant check but prior to refinishing.
- D. Anodize (F-17.04) machined surfaces per 20-43-01.
- | E. Fabricate replacement bushings for bushing (IPL Fig. 1; 752) (IPL Fig. 2; 566) per Fig. 603, and bushing (IPL Fig. 1; 754) (IPL Fig. 2; 568) per Fig. 602.

57-53-25

REPAIR 1-1

01.1

Page 601

Jul 01/99

F. Install the bushings as specified by steps 1.C thru 1.F.

3. Refinish

A. Rib (IPL Fig. 1; 756) (IPL Fig. 2; 570, 572) -- Chromic acid anodize, type 1 and apply one coat BMS 10-11, type 1 primer (F-18.13) and one coat BMS 10-60, BAC707 gray gloss enamel (SRF-14.9813) all over, except apply no primer or enamel in bushing holes. Material: Aluminum alloy.

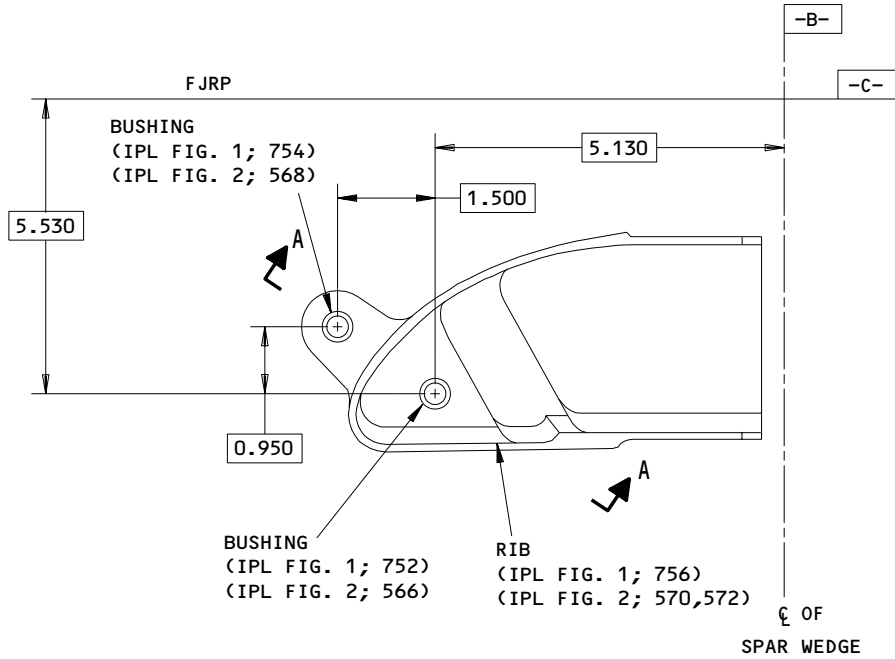
57-53-25

REPAIR 1-1

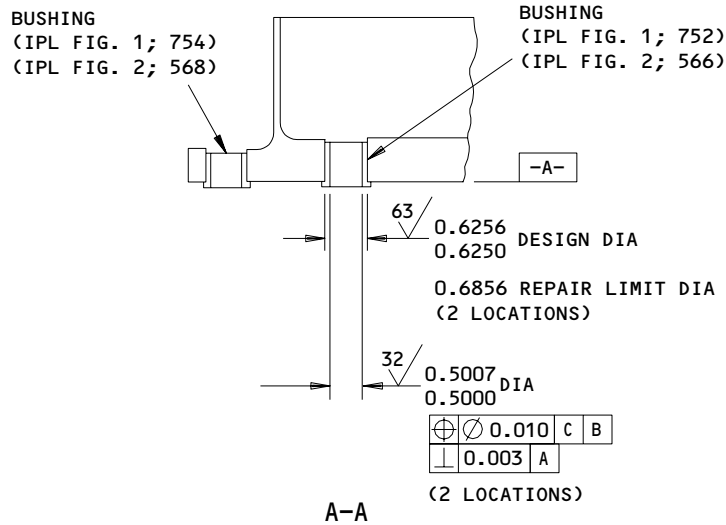
01.1

Page 602

Jul 01/99



113T2313-1 SHOWN
 113T2313-2 OPPOSITE



SHOT PEEN: SHOT NO. 230-550
 0.004-0.007 A INTENSITY
 2.0 COVERAGE

ALL DIMENSIONS ARE IN INCHES

113T2313-1,-2
 Rib Assembly Bushing Replacement
 Figure 601

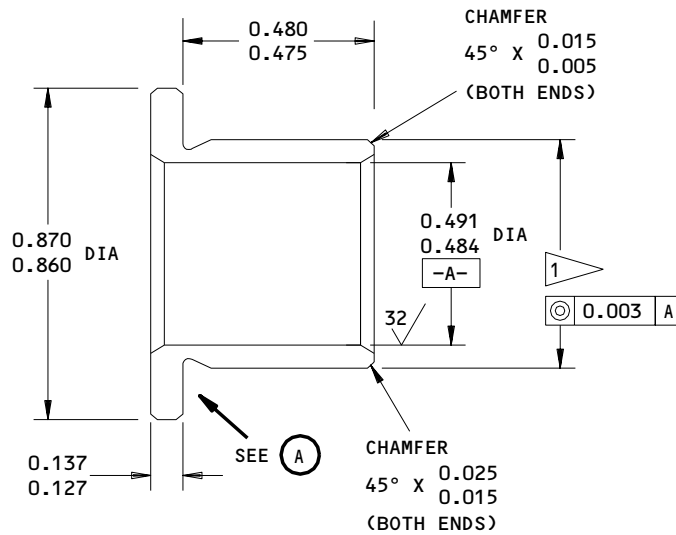
57-53-25

REPAIR 1-1

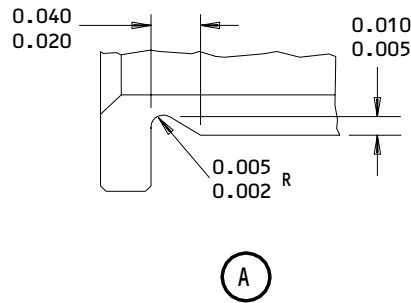
01.1

Page 603

Jul 01/99



OVERSIZE REPLACEMENT BUSHING
 (IPL FIG. 1; 754)
 (IPL FIG. 2; 568)



1 FINAL BUSHING OUTSIDE DIAMETER EQUALS
 REPAIR DIAMETER OF FITTING PLUS
 INTERFERENCE OF 0.0005-0.0017

63/ ALL MACHINED SURFACES UNLESS SHOWN
 DIFFERENTLY

ANGULAR TOLERANCE, ±1.0 DEGREE

MATERIAL: 15-5 PH CRES, 180-200 KSI

ALL DIMENSIONS ARE IN INCHES

Oversize Bushing Details
Figure 602

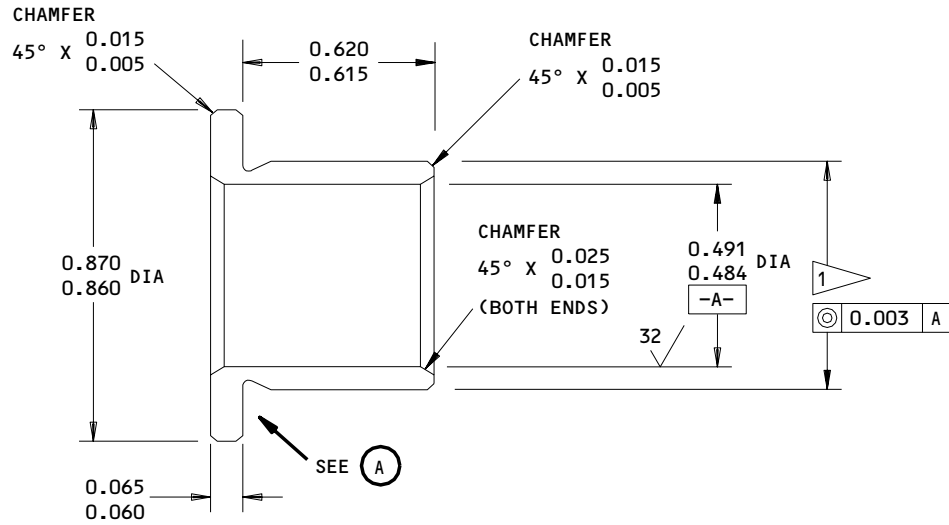
57-53-25

REPAIR 1-1

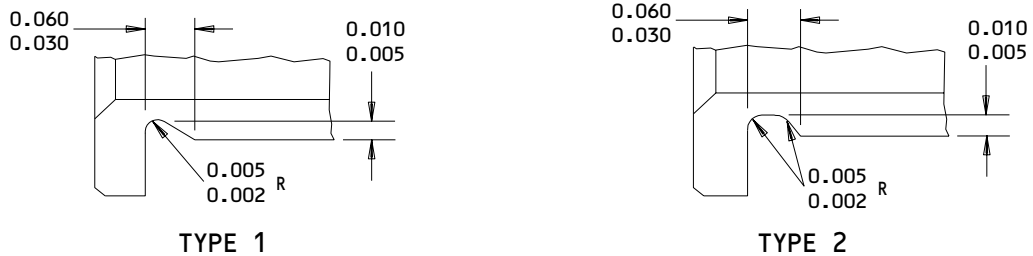
01.1

Page 604

Jul 01/99



OVERSIZE REPLACEMENT BUSHING
 (IPL FIG. 1; 752)
 (IPL FIG. 2; 566)



UNDERCUT TYPE 1 OR TYPE 2 OPTIONAL

(A)

1 FINAL BUSHING OUTSIDE DIAMETER EQUALS REPAIR DIAMETER OF FITTING PLUS INTERFERENCE OF 0.0005-0.0017

63 ALL MACHINED SURFACES UNLESS SHOWN DIFFERENTLY

ANGULAR TOLERANCE, ± 0.50 DEGREES

MATERIAL: 15-5 PH CRES, 180-200 KSI

ALL DIMENSIONS ARE IN INCHES

Oversize Bushing Details
 Figure 603

57-53-25

REPAIR 1-1

Page 605

Jul 01/99

01.1

FITTING ASSEMBLY - REPAIR 2-1

113T2343-1, -2, -5, -6, -9, -10, -15, -16, -19

NOTE: Refer to REPAIR-GEN for list of applicable standard practices.

1. Bushing Replacement

- A. Remove the bushing (IPL Fig. 1; 964, 966, 991, 992) (IPL Fig. 2; 894, 896, 932, 934).
- B. Repair rib bushing holes, if and as required, per paragraph 2.
- C. Install bushings per 20-50-03 using BMS 10-11, type 1 primer.
- D. Machine bushings per Fig. 601.
- E. Fillet seal bushing flanges using BMS 5-95 sealant.

2. Repair

- A. Machine the bushing (IPL Fig. 1; 964, 966, 991, 992) (IPL Fig. 2; 894, 896, 932, 934) holes in the fittings (IPL Fig. 1; 968, 993) (IPL Fig. 2; 900, 902, 936, 938), as required, per Fig. 601.
- B. Penetrant check machined surfaces per 20-20-02.
- C. Shot peen machined surfaces per Fig. 601 after penetrant check but before refinishing.
- D. Anodize (F-17.04) machined surfaces per 20-43-01.
- E. Fabricate replacement bushing for bushing (IPL Fig. 1; 964, 991) (IPL Fig. 2; 894, 932) per Fig. 603, and bushing (IPL Fig 1; 966, 992) (IPL Fig. 2; 896, 934) per Fig. 602.

57-53-25

REPAIR 2-1

01.1

Page 601

Jul 01/99

F. Install the bushing as specified by steps 1.C thru 1.E.

3. Refinish

A. Fitting (IPL Fig. 1; 968, 993) (IPL Fig. 2; 900, 902, 936, 938) --
Chromic acid anodize, type 1 and apply one coat BMS 10-11, type 1 primer
(F-18.13) and one coat BMS 10-60, BAC707 gray gloss enamel (SRF-14.9813)
all over, except omit primer and enamel from bushing holes. Material:
Aluminum alloy.

57-53-25

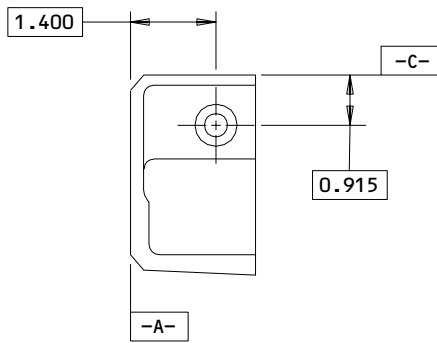
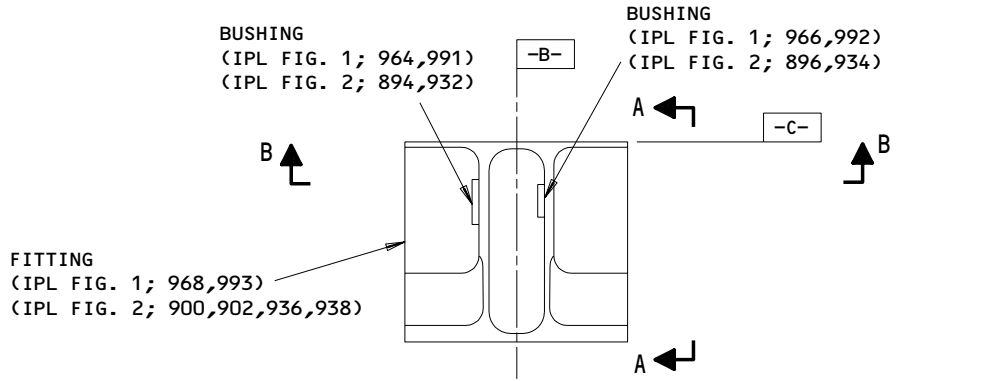
REPAIR 2-1

01.1

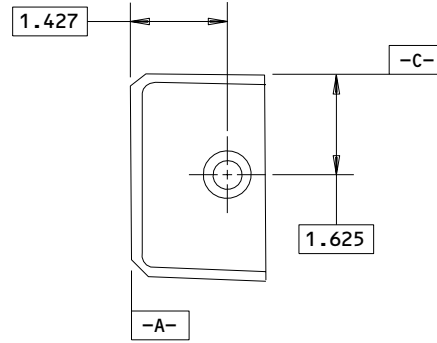
Page 602

Jul 01/99

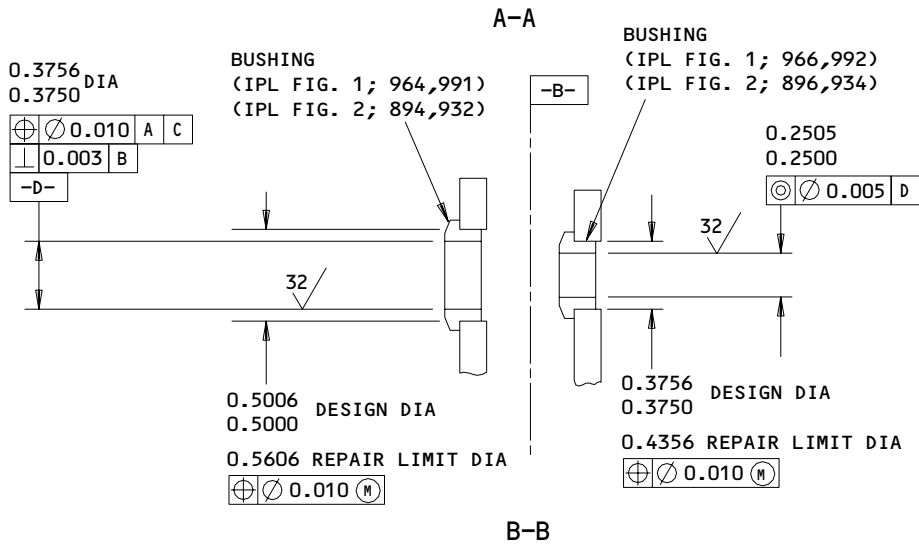
BOEING
 COMPONENT
 MAINTENANCE MANUAL



FITTING
 (IPL FIG. 1; 993)
 (IPL FIG. 2; 936,938)



FITTING
 (IPL FIG. 1; 968)
 (IPL FIG. 2; 900,902)



SHOT PEEN: SHOT NO. 230-550
 0.004-0.007 A INTENSITY
 2.0 COVERAGE

ALL DIMENSIONS ARE IN INCHES

113T2343-1,-2,-5,-6,-9,-10,-15,-16,-19
 Fitting Assembly Bushing Replacement
 Figure 601

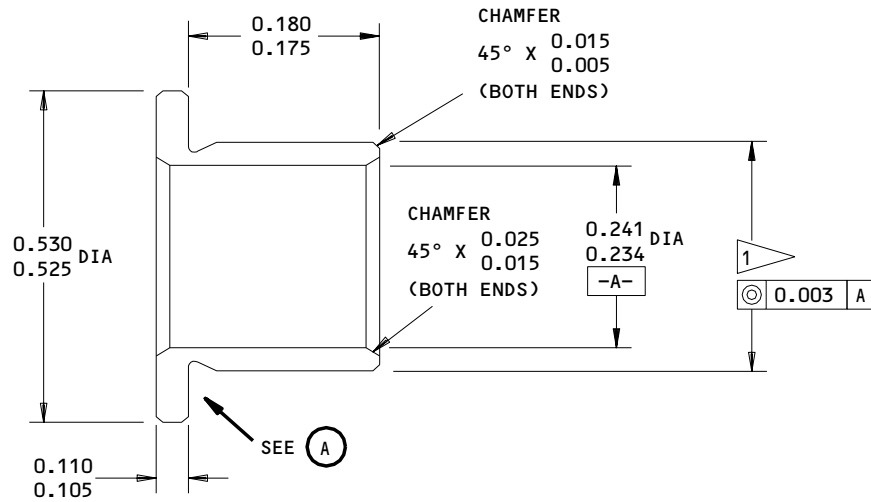
57-53-25

REPAIR 2-1

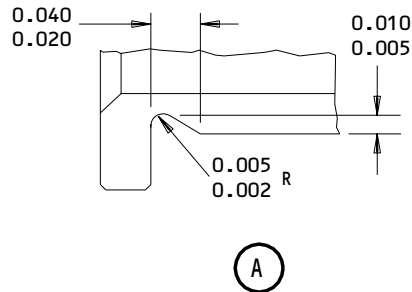
01.1

Page 603

Jul 01/99



OVERSIZE REPLACEMENT BUSHING
 (IPL FIG. 1; 966,992)
 (IPL FIG. 2; 896,934)



1 FINAL BUSHING OUTSIDE DIAMETER EQUALS REPAIR DIAMETER OF FITTING PLUS INTERFERENCE OF 0.0003-0.0015

63/ ALL MACHINED SURFACES UNLESS SHOWN DIFFERENTLY

ANGULAR TOLERANCE, ± 1.0 DEGREES

MATERIAL: 15-5 PH CRES, 180-200 KSI

ALL DIMENSIONS ARE IN INCHES

Oversize Bushing Details
 Figure 602

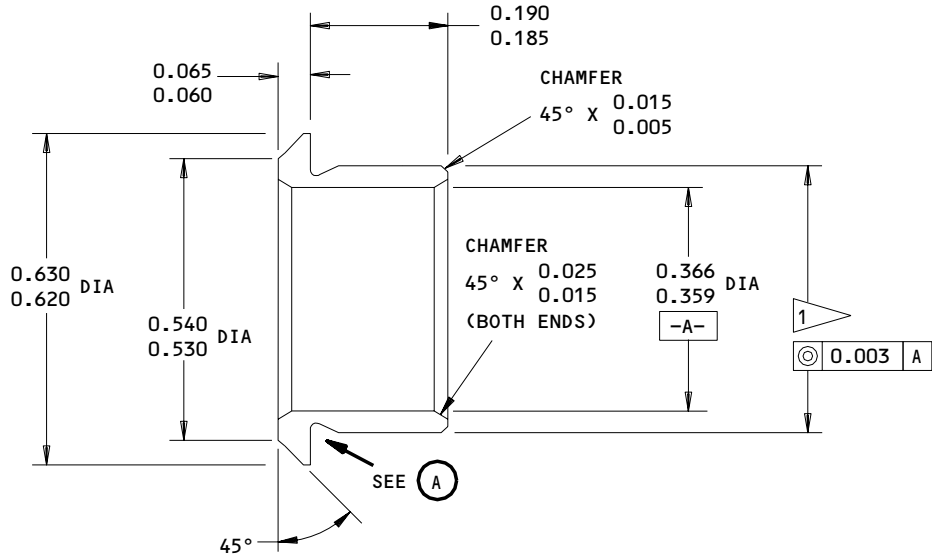
57-53-25

REPAIR 2-1

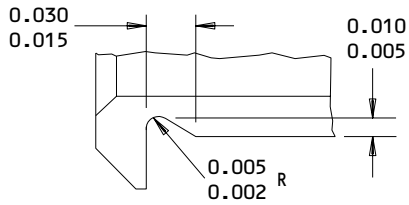
Page 604

Jul 01/99

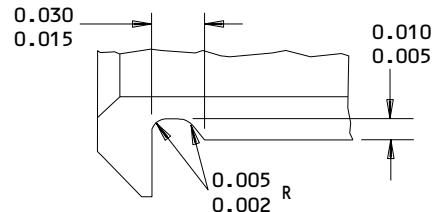
01.1



OVERSIZE REPLACEMENT BUSHING
 (IPL FIG. 1; 964,991)
 (IPL FIG. 2; 894,932)



TYPE 1



TYPE 2

UNDERCUT TYPE 1 OR TYPE 2 OPTIONAL

(A)

1 FINAL BUSHING OUTSIDE DIAMETER EQUALS REPAIR DIAMETER OF FITTING PLUS INTERFERENCE OF 0.0004-0.0016

63/ ALL MACHINED SURFACES UNLESS SHOWN DIFFERENTLY

ANGULAR TOLERANCE, ± 0.50 DEGREES

MATERIAL: AL-NI-BRZ AS SHOWN IN AMS 4640

FINISH: CADMIUM PLATE AS SHOWN IN 20-42-05, CLASS 2, TYPE 2. PLATING IN BORE OPTIONAL

DIMENSIONS APPLY AFTER PLATING

ALL DIMENSIONS ARE IN INCHES

Oversize Bushing Details
Figure 603

57-53-25

REPAIR 2-1

Page 605

Jul 01/99

01.1

FITTING ASSEMBLY – REPAIR 3-1

113T2341-1, -4

NOTE: Refer to REPAIR-GEN for list of applicable standard practices.

| 1. Bushing Replacement

- | A. Remove the bushing (IPL Fig. 1; 686, 687) (IPL Fig. 2; 462, 464).
- B. Repair hinge fitting bushing holes, if and as required, per paragraph 2.
- C. Install bushings per 20-50-03, using BMS 5-95 sealant.
- D. Machine bushings per Fig. 601.
- E. Fillet seal bushing flanges using BMS 5-95 sealant.
- F. Topcoat fillet seal with BMS 10-60, BAC707 gray gloss enamel (SRF-14.9813).

| 2. Repair

- | A. Machine bushing (IPL Fig. 1; 686, 687) (IPL Fig. 2; 462, 464) holes in the fitting (IPL Fig. 1; 689) (IPL Fig. 2; 468), as required, per Fig. 601.
- B. Penetrant check machined surfaces per 20-20-02.
- C. Shot peen machined surfaces per Fig. 601 after penetrant check but before refinishing.
- D. Anodize (F-17.04) machined surfaces per 20-43-01.
- | E. Fabricate replacement bushings for the bushing (IPL Fig. 1; 686) (IPL Fig. 2; 462) per Fig. 602 and the bushing (IPL Fig. 1; 687) (IPL Fig. 2; 464) per Fig. 603.

57-53-25

REPAIR 3-1

01.1

Page 601

Jul 01/99

F. Install the bushings as specified by steps 1.C thru 1.F.

3. Bearing Replacement

- A. Remove the retainer (IPL Fig. 1; 691) (IPL Fig. 2; 476) and the bearing (IPL Fig. 1; 690) (IPL Fig. 2; 470).
- B. Apply BMS 10-11, type 1 primer to all areas of hole (SRF-14.06) and allow to dry.
- C. Apply MIL-C-11796, class 3 corrosion preventive compound to all areas of hole (F-19.11).
- D. Install bearing immediately after applying corrosion preventive compound.

4. Refinish

- A. Hinge fitting (IPL Fig. 1; 689) (IPL Fig. 2; 468) -- Chromic acid anodize, type 1 and apply one coat BMS 10-11, type 1 primer (F-18.13) and one coat BMS 10-60, BAC707 gray gloss enamel (SRF-14.9813) all over, except omit enamel from bushing and bearing holes. Material: Aluminum alloy.

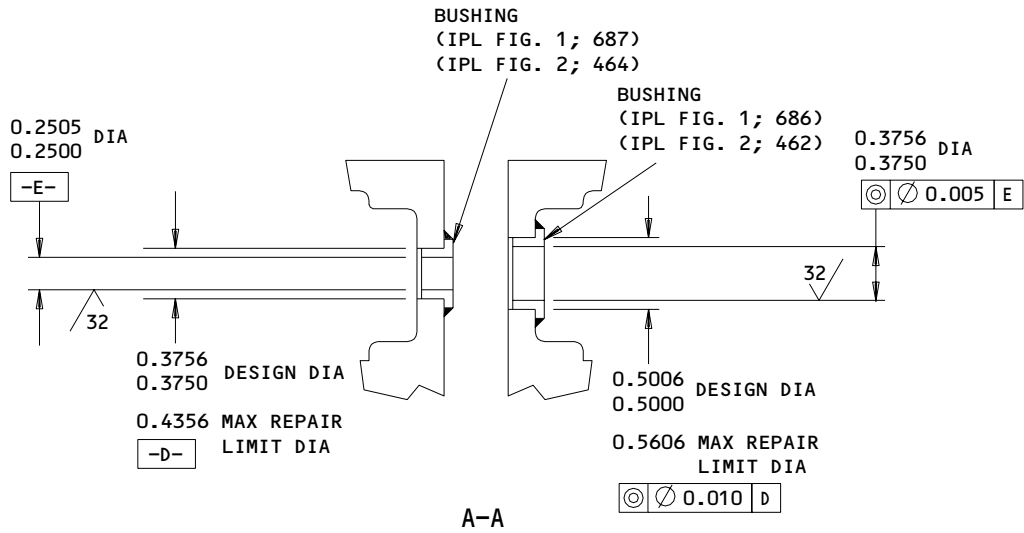
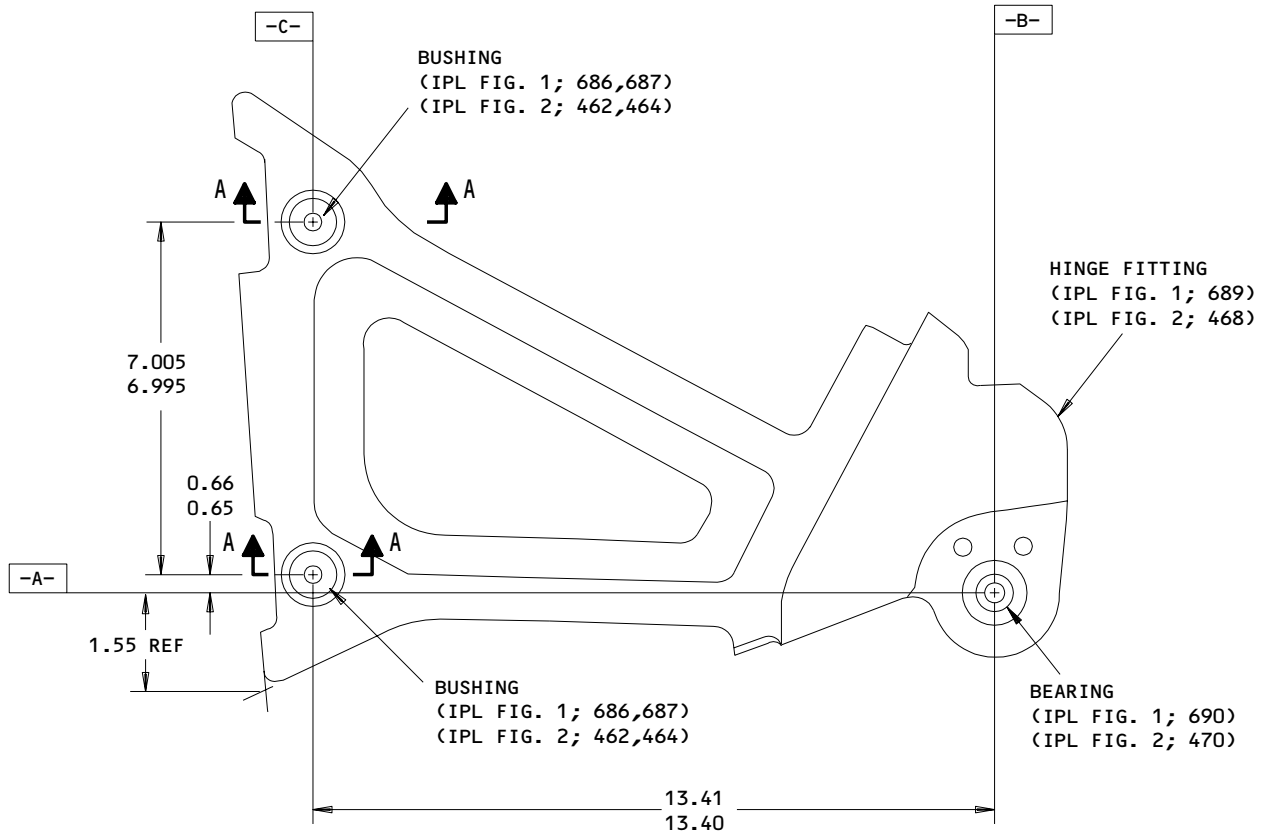
57-53-25

REPAIR 3-1

01.1

Page 602

Jul 01/99



SHOT PEEN: SHOT NO. 230-550
 0.004-0.007 A INTENSITY
 2.0 COVERAGE

ALL DIMENSIONS ARE IN INCHES

113T2341-1,-4
 Fitting Assembly Bushing Replacement
 Figure 601

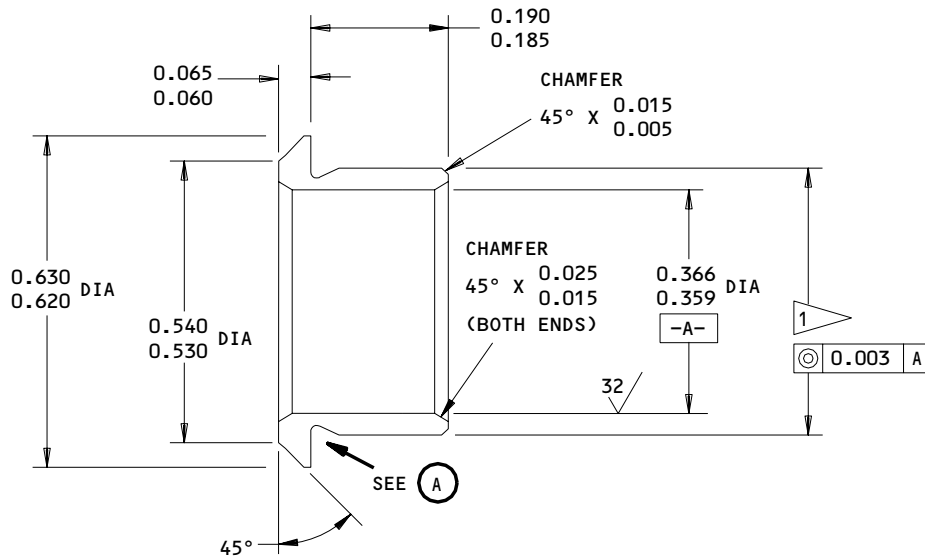
57-53-25

REPAIR 3-1

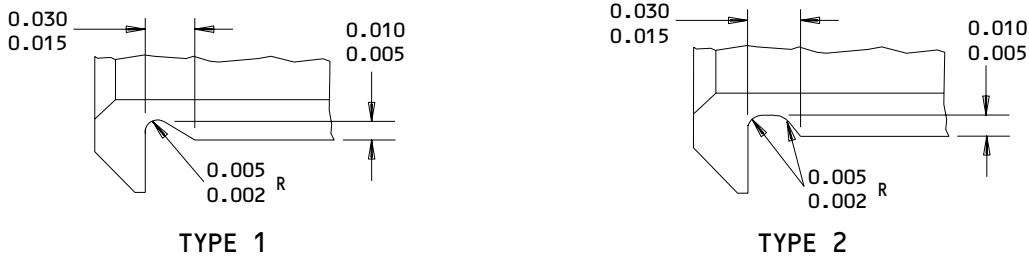
Page 603

Jul 01/99

01.1



OVERSIZE REPLACEMENT BUSHING
 (IPL FIG. 1; 686)
 (IPL FIG. 2; 462)



TYPE 1

TYPE 2

UNDERCUT TYPE 1 OR TYPE 2 OPTIONAL

(A)

1 FINAL BUSHING OUTSIDE DIAMETER EQUALS REPAIR DIAMETER OF FITTING PLUS INTERFERENCE OF 0.0004-0.0016

63/ ALL MACHINED SURFACES UNLESS SHOWN DIFFERENTLY

ANGULAR TOLERANCE, ± 0.50 DEGREES

MATERIAL: AL-NI-BRZ AS SHOWN IN AMS 4640

FINISH: CADMIUM PLATE AS SHOWN IN SOPM 20-42-05, CLASS 2, TYPE 2. PLATING IN BORE OPTIONAL

ALL DIMENSIONS ARE IN INCHES

Oversize Bushing Details
Figure 602

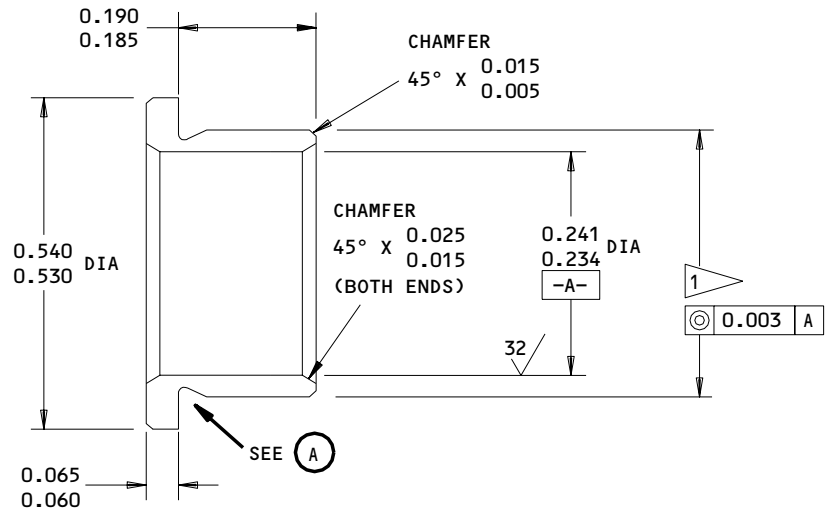
57-53-25

REPAIR 3-1

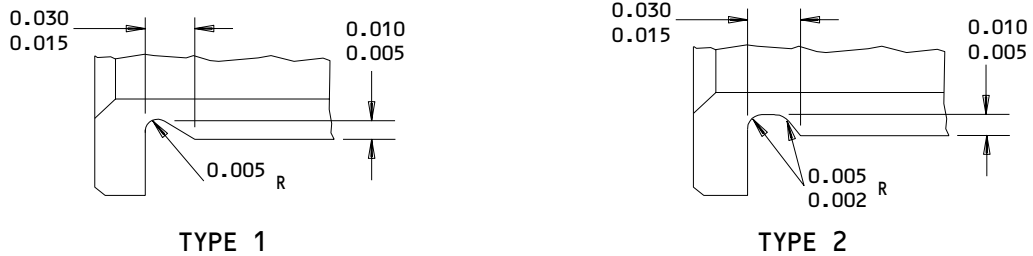
Page 604

Jul 01/99

01.1



OVERSIZE REPLACEMENT BUSHING
 (IPL FIG. 1; 687)
 (IPL FIG. 2; 464)



UNDERCUT TYPE 1 OR TYPE 2 OPTIONAL

(A)

1 FINAL BUSHING OUTSIDE DIAMETER EQUALS REPAIR DIAMETER OF FITTING PLUS INTERFERENCE OF 0.0003-0.0015

63/ ALL MACHINED SURFACES UNLESS SHOWN DIFFERENTLY

ANGULAR TOLERANCE, ± 0.50 DEGREES

MATERIAL: 15-5 PH CRES, 180-200 KSI

ALL DIMENSIONS ARE IN INCHES

Oversize Bushing Details
 Figure 603

57-53-25

REPAIR 3-1

Page 605

Jul 01/99

01.1

RIB ASSEMBLY – REPAIR 4-1

113T2314-1, -2

NOTE: Refer to REPAIR-GEN for list of applicable standard practices.

| 1. Bushing Replacement

- |** A. Remove the bushings (IPL Fig. 1; 752, 754) (IPL Fig. 2; 566, 568).
- B. Repair rib bushing hole, if and as required, per paragraph 2.
- C. Install bushings per 20-50-03 using wet BMS 5-95 sealant.
- D. Machine bushings per Fig. 601.
- E. Fillet seal bushing flanges with BMS 5-95 sealant.
- F. Topcoat fillet seal with BMS 10-60, BAC707 gray gloss enamel (SRF-14.9813).

| 2. Repair

- |** A. Machine the bushing (IPL Fig. 1; 752, 754) (IPL Fig. 2; 566, 568) holes in the rib (IPL Fig. 1; 758) (IPL Fig. 2; 574, 576), as required, per Fig. 601.
- B. Penetrant check machined surfaces per 20-20-02.
- C. Shot peen machined surfaces per Fig. 601, after penetrant check, but before refinishing.
- D. Anodize (F-17.04) machined surfaces per 20-43-01.
- |** E. Fabricate replacement bushings for the bushing (IPL Fig. 1; 752) (IPL Fig. 2; 566) per Fig. 602 and the bushing (IPL Fig. 1; 754) (IPL Fig. 2; 568) per Fig. 603.

57-53-25

REPAIR 4-1

01.1

Page 601

Jul 01/99

F. Install the bushings as shown in steps 1.C thru 1.F.

3. Refinish

A. Rib (IPL Fig. 1; 758) (IPL Fig. 2; 574, 576) -- Chromic acid anodize, type 1 and apply one coat BMS 10-11, type 1 primer (F-18.13) plus one coat BMS 10-60, BAC707 gray gloss enamel (SRF 14.9813) all over, except omit primer and enamel from bushing holes. Material: Aluminum alloy.

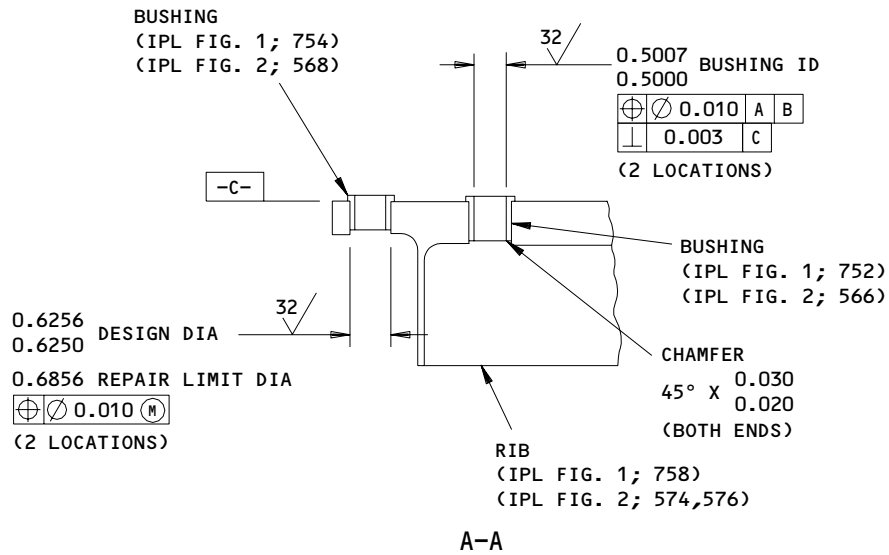
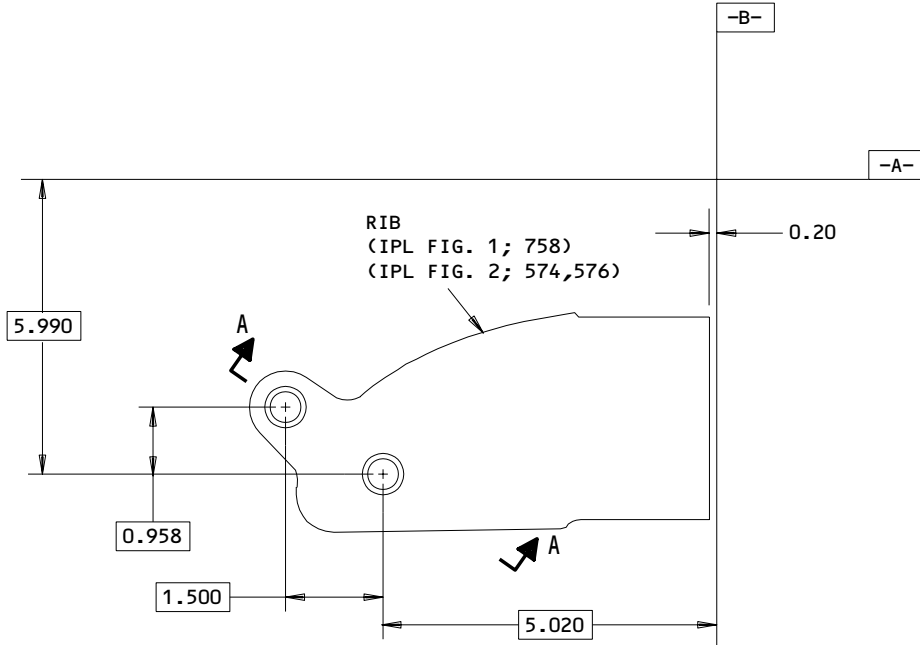
57-53-25

REPAIR 4-1

01.1

Page 602

Jul 01/99



SHOT PEEN: SHOT NO. 230-550
 0.004-0.007 A INTENSITY
 2.0 COVERAGE

ALL DIMENSIONS ARE IN INCHES

113T2314-1,-2
 Rib Assembly Bushing Replacement
 Figure 601

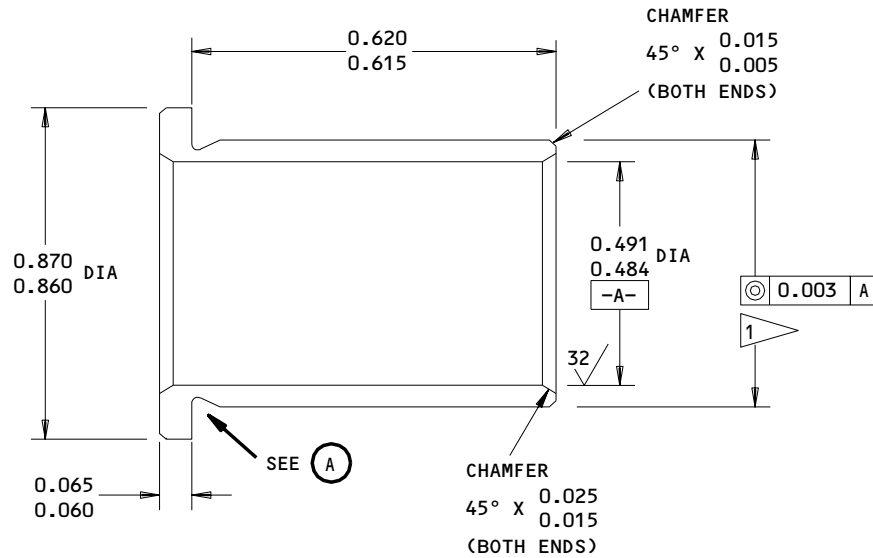
57-53-25

REPAIR 4-1

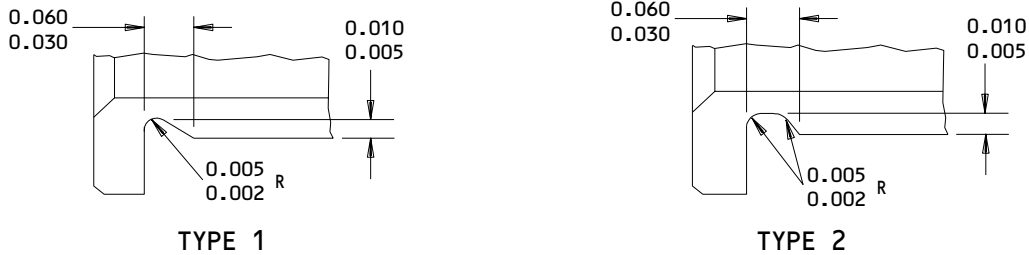
Page 603

Jul 01/99

01.1



OVERSIZE REPLACEMENT BUSHING
 (IPL FIG. 1; 752)
 (IPL FIG. 2; 566)



UNDERCUT TYPE 1 OR TYPE 2 OPTIONAL



1 FINAL BUSHING OUTSIDE DIAMETER EQUALS REPAIR DIAMETER OF FITTING PLUS INTERFERENCE OF 0.0005-0.0017

63/ ALL MACHINED SURFACES UNLESS SHOWN DIFFERENTLY

ANGULAR TOLERANCE, ±0.50 DEGREES

MATERIAL: 15-5 PH CRES, 180-200 KSI

ALL DIMENSIONS ARE IN INCHES

Oversize Bushing Details
 Figure 602

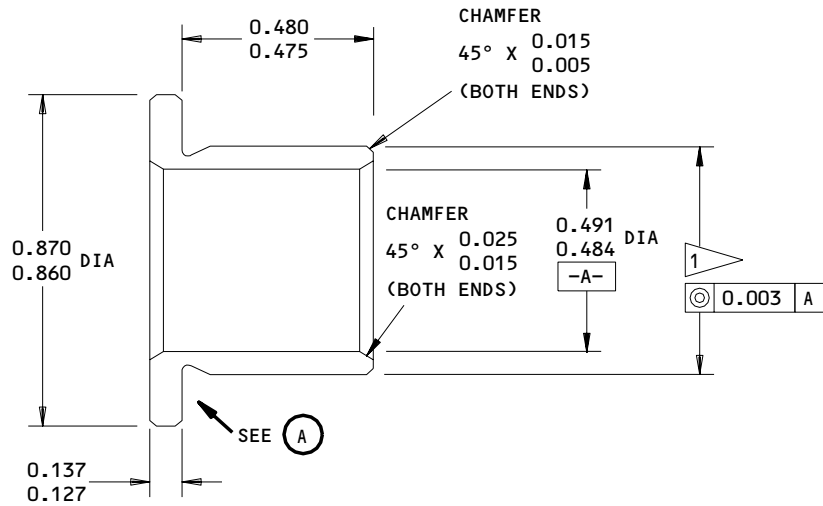
57-53-25

REPAIR 4-1

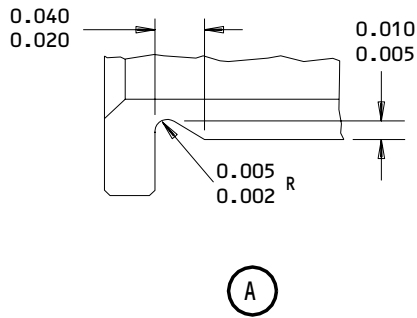
Page 604

Jul 01/99

01.1



OVERSIZE REPLACEMENT BUSHING
 (IPL FIG. 1; 754)
 (IPL FIG. 2; 568)



1 FINAL BUSHING OUTSIDE DIAMETER
 EQUALS REPAIR DIAMETER OF RIB PLUS
 INTERFERENCE OF 0.0005-0.0017

63/ ALL MACHINED SURFACES UNLESS SHOWN
 DIFFERENTLY

ANGULAR TOLERANCE, ± 1.0 DEGREES

MATERIAL: 15-5 PH CRES, 180-200 KSI

ALL DIMENSIONS ARE IN INCHES

Oversize Bushing Details
 Figure 603

57-53-25

REPAIR 4-1

Page 605

Jul 01/99

01.1

HINGE ASSEMBLY – REPAIR 5-1

113T2342-1, -2, -9, -10, -11, -12

NOTE: Refer to REPAIR-GEN for list of applicable standard practices.

1. Bushing Replacement

- A. Remove the bushings (IPL Fig. 1; 585, 586, 588, 590, 592) (IPL Fig. 2; 334, 336, 338, 340, 342).
- B. Repair hinge fitting bushing holes, if and as required, per paragraph 2.
- C. Install bushings per 20-50-03 using BMS 5-95 sealant.
- D. Machine bushings per Fig. 601.
- E. Fillet seal bushing flanges using BMS 5-95 sealant.
- F. Topcoat seal with BMS 10-60, BAC707 gray gloss enamel (SRF-14.9813).

2. Repair

- A. Machine the bushing (IPL Fig. 1; 585, 586, 588, 592) (IPL Fig. 2; 334, 336, 338, 342) holes in the fitting (IPL Fig. 1; 600) (IPL Fig. 2; 350, 352), as required, per Fig. 601.
- B. Penetrant check machined surfaces per 20-20-02.
- C. Shot peen machined surfaces per Fig. 601, after penetrant check but before refinishing.
- D. Anodize (F-17.04) machined surfaces per 20-43-01.
- E. Fabricate replacement bushings for bushing (IPL Fig. 1; 588) (IPL Fig. 2; 338) per Fig. 603, bushing (IPL Fig. 1; 592) (IPL Fig. 2; 342) per Fig. 602, and bushings (IPL Fig. 1; 585, 586) (IPL Fig. 2; 334, 336) per Fig. 604.

57-53-25

REPAIR 5-1

01.1

Page 601

Jul 01/99

F. Install the bushings as specified by steps 1.C thru 1.F.

3. Bearing Replacement

A. Remove bearing (IPL Fig. 1; 594, 596) (IPL Fig. 2; 284, 286).

B. Install bearing and roller swage per 20-50-03 using BMS 5-95 sealant in lieu of wet primer.

(1) Bearing (IPL Fig. 1; 594) (IPL Fig. 2; 284) must withstand a pushout load of 1250 pounds.

(2) Bearing (IPL Fig. 1; 596) (IPL Fig. 2; 286) must withstand a pushout load of 1690 pounds.

4. Refinish

A. Hinge fitting (IPL Fig. 1; 600) (IPL Fig. 2; 350, 352) -- Chromic acid anodize, type 1 and apply one coat BMS 10-11, type 1 primer (F-18.13) and one coat BMS 10-60, BAC707 gray gloss enamel (SRF-14.9813) all over, except omit primer and enamel from bushing and bearing holes. Material: Aluminum alloy.

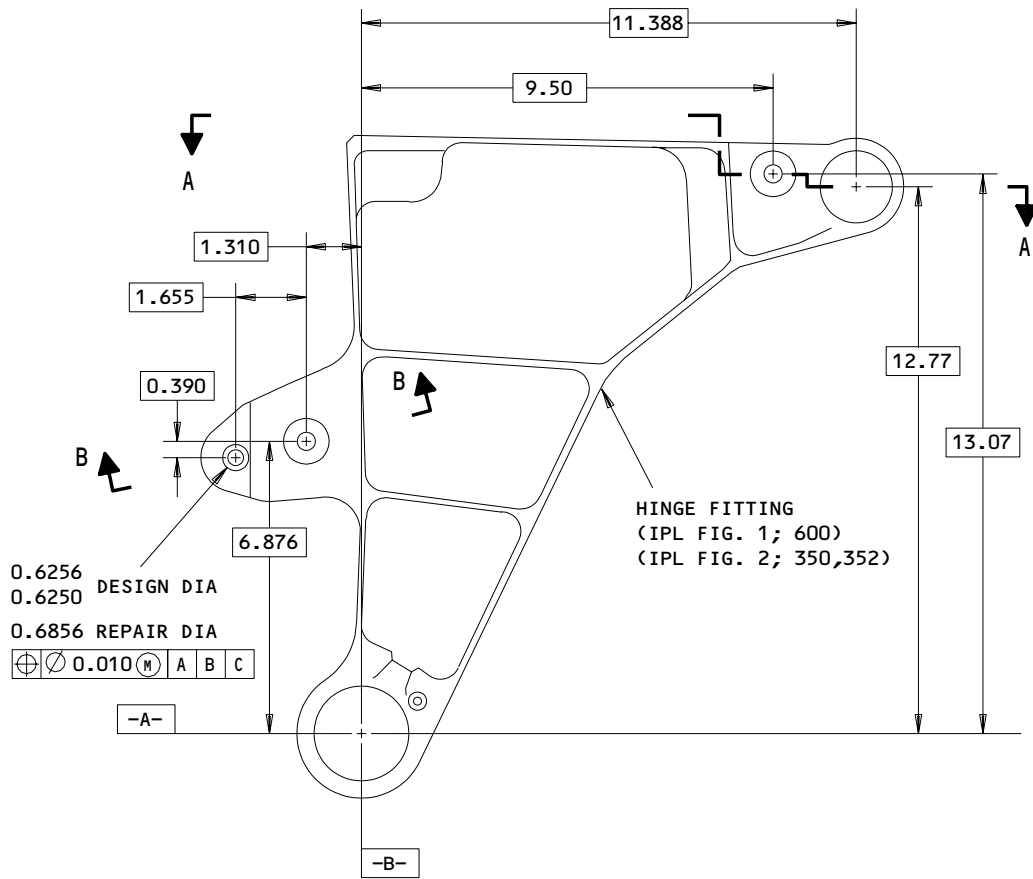
57-53-25

REPAIR 5-1

01.1

Page 602

Jul 01/99



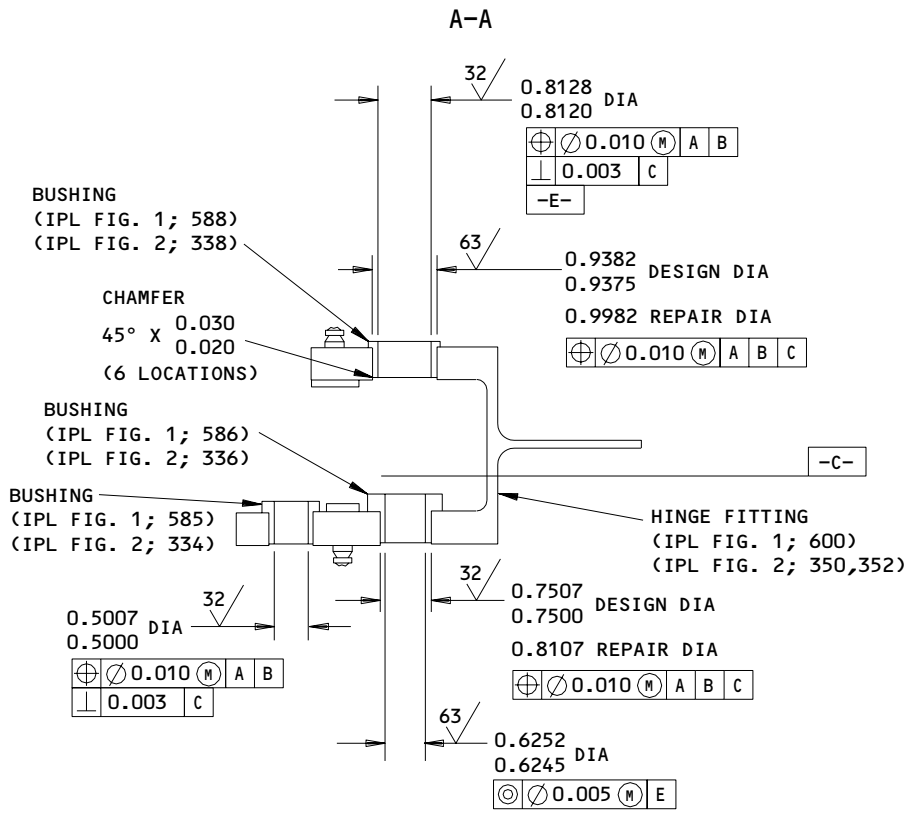
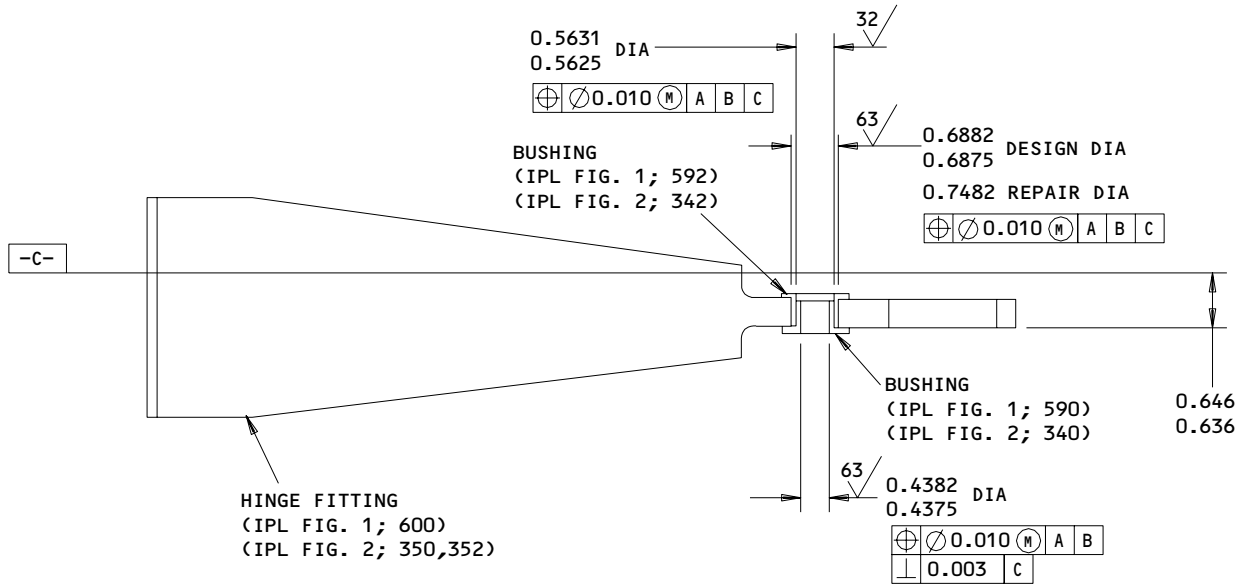
113T2342-1,-9,-11 SHOWN
 113T2342-2,-10,-12 OPPOSITE

113T2342-1,-2,-9,-10,-11,-12
 Hinge Assembly Bushing Replacement
 Figure 601 (Sheet 1)

57-53-25

REPAIR 5-1
 Page 603
 Jul 01/99

01.1



SHOT PEEN: SHOT NO. 230-550
 0.004-0.007 A INTENSITY
 2.0 COVERAGE

ALL DIMENSIONS ARE IN INCHES

113T2342-1,-2,-9,-10,-11,-12
 Hinge Assembly Bushing Replacement
 Figure 601 (Sheet 2)

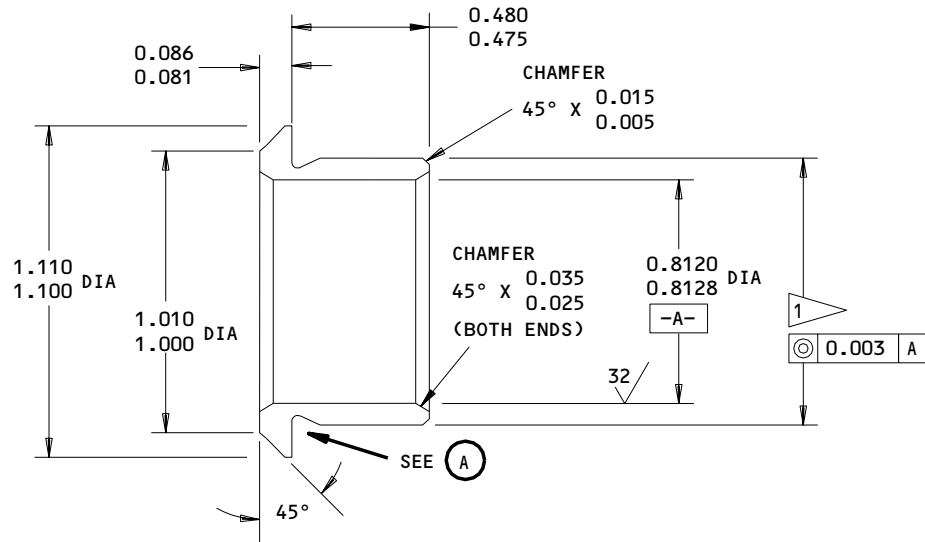
57-53-25

REPAIR 5-1

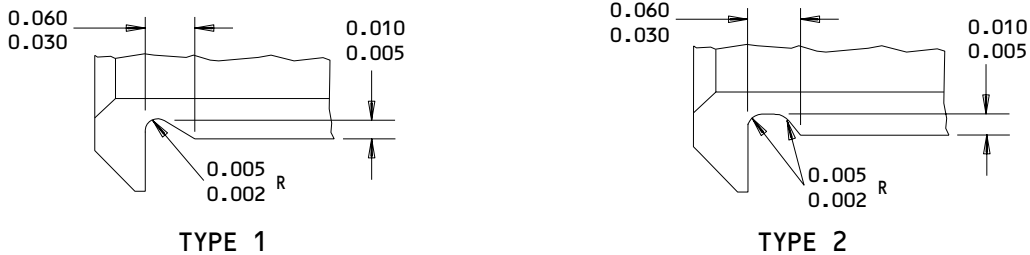
01.1

Page 604

Jul 01/99



OVERSIZE REPLACEMENT BUSHING
 (IPL FIG. 1; 588)
 (IPL FIG. 2; 338)



UNDERCUT TYPE 1 OR TYPE 2 OPTIONAL



1 FINAL BUSHING OUTSIDE DIAMETER EQUALS REPAIR DIAMETER OF FITTING PLUS INTERFERENCE OF 0.0007-0.0021

63/ ALL MACHINED SURFACES UNLESS SHOWN DIFFERENTLY

ANGULAR TOLERANCE, ± 0.50 DEGREES

MATERIAL: AL-NI-BRZ AS SHOWN IN AMS 4640

FINISH: CADMIUM PLATE AS SHOWN IN SOPM 20-42-05, CLASS 2, TYPE 2. PLATING IN BORE OPTIONAL

DIMENSIONS APPLY AFTER PLATING

ALL DIMENSIONS ARE IN INCHES

Oversize Bushing Details
Figure 603

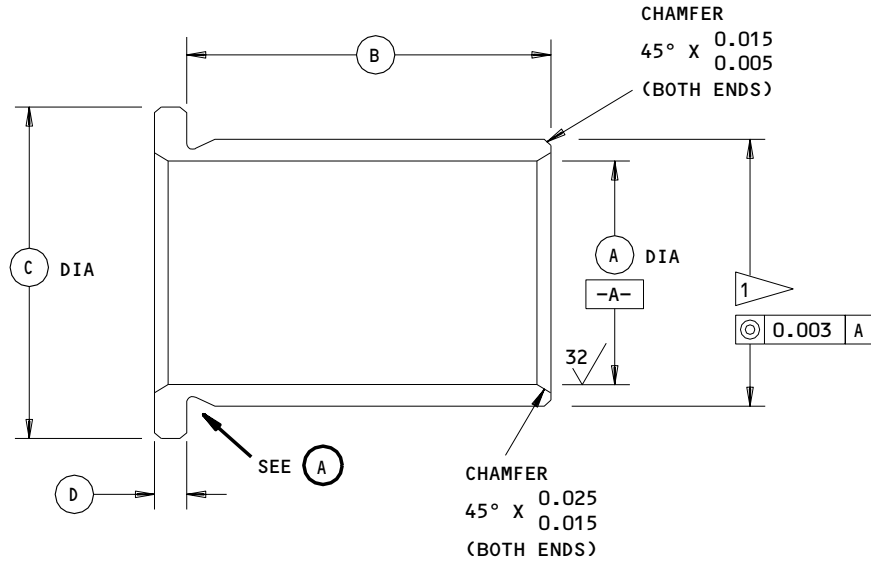
57-53-25

REPAIR 5-1

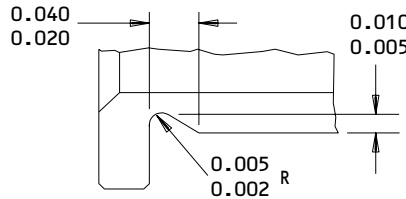
01.1

Page 606

Jul 01/99



OVERSIZE REPLACEMENT BUSHING
 (IPL FIG. 1; 585,586)
 (IPL FIG. 2; 334,336)



(A)

ORIGINAL BUSHING NO. (REF)	(A)	(B)	(C)	(D)	INTERFERENCE
(IPL FIG. 1; 585) (IPL FIG. 2; 334)	0.491 0.485	0.480 0.475	0.870 0.860	0.158 0.148	0.0005-0.00017
(IPL FIG. 1; 586) (IPL FIG. 2; 336)	0.615 0.609	0.480 0.475	1.080 1.070	0.256 0.246	0.0005-0.00017

1 FINAL BUSHING OUTSIDE DIAMETER EQUALS REPAIR DIAMETER OF FITTING PLUS INTERFERENCE

63/ ALL MACHINED SURFACES UNLESS SHOWN DIFFERENTLY

ANGULAR TOLERANCE, ±1.00 DEGREES

MATERIAL: 15-5 PH CRES, 180-200 KSI

ALL DIMENSIONS ARE IN INCHES

Oversize Bushing Details
 Figure 604

57-53-25

REPAIR 5-1

Page 607

Jul 01/99

01.1

FITTING ASSEMBLY – REPAIR 6-1

113T2344-5, -6

NOTE: Refer to REPAIR-GEN for list of applicable standard practices.

1. Bushing Replacement

- A. Remove the bushings (IPL Fig. 1; 520, 522) (IPL Fig. 2; 244, 246).
- B. Repair fitting bushing holes, if and as required, per paragraph 2.
- C. Install bushings per 20-50-03 using BMS 5-95 sealant.
- D. Machine bushings per Fig. 601.
- E. Fillet seal bushing flanges using BMS 5-95 sealant.
- F. Topcoat seal with one coat BMS 10-60, BAC707 gray gloss enamel (SRF-14.9813).

2. Repair (Fig. 602)

- A. Machine the bushing (IPL Fig. 1; 520, 522) (IPL Fig. 2; 244, 246) holes in the fitting (IPL Fig. ;1 524) (IPL Fig. 2; 248, 250), as required, per Fig. 601.
- B. Penetrant check machined surfaces per 20-20-02.
- C. Shot peen machined surfaces per Fig. 601 after penetrant check but before refinishing.
- D. Anodize (F-17.04) machined surfaces per 20-43-01.
- E. Fabricate replacement bushings for bushings (IPL Fig. 1; 520, 522) (IPL Fig. 2; 244, 246).

57-53-25

REPAIR 6-1

01.1

Page 601

Jul 01/99

F. Install the bushings as specified in steps 1.C thru 1.F.

3. Refinish

A. Fitting (IPL Fig. 1; 524) (IPL Fig. 2; 248, 250) -- Chromic acid anodize, type 1 and apply one coat BMS 10-11, type 1 primer (F-18.13) and one coat BMS 10-60, BAC707 gray gloss enamel (SRF-14.9813) all over, except omit primer and enamel from bushing holes. Material: Aluminum alloy.

57-53-25

REPAIR 6-1

01.1

Page 602

Jul 01/99

FITTING ASSEMBLY – REPAIR 7-1

113T2344-9

NOTE: Refer to REPAIR-GEN for list of applicable standard practices.

| 1. Bushing Replacement

- | A. Remove the bushings (IPL Fig. 1; 538, 540) (IPL Fig. 2; 264, 266).
- | B. Repair hinge fitting bushing holes, if and as required, per paragraph 2.0.
- | C. Install bushings per 20-50-03 using BMS 5-95 sealant.
- | D. Machine bushings per Fig. 601.
- | E. Fillet seal bushing flanges using BMS 5-95 sealant.

| 2. Repair

- | A. Machine the bushing (IPL Fig. 1; 538, 540) (IPL Fig. 2; 264, 266) , holes in the fitting (IPL Fig. 1; 542) (IPL Fig. 2; 268), as required, per Fig. 601.
- | B. Penetrant check machined surfaces per 20-20-02.
- | C. Shot peen machined surfaces per Fig. 601 after penetrant check but before refinishing.
- | D. Anodize (F-17.04) machined surfaces per 20-43-01.
- | E. Fabricate replacement bushings for the bushing (IPL Fig. 1; 538) (IPL Fig. 2; 264) per Fig. 602 and bushing (IPL Fig. 1; 540) (IPL Fig. 2; 266) per Fig. 603.

57-53-25

REPAIR 7-1

01.1

Page 601

Jul 01/99

F. Install the bushings as specified in steps 1.C thru 1.F.

3. Refinish

A. Fitting (IPL Fig. 1; 542) (IPL Fig. 2; 268) -- Chromic acid anodize, type 1 and apply one coat BMS 10-11, type 1 primer (F-18.13) and one coat BMS 10-60, BAC707 gray gloss enamel (SRF-14.9813) all over, except omit primer and enamel from bushing holes. Material: Aluminum alloy.

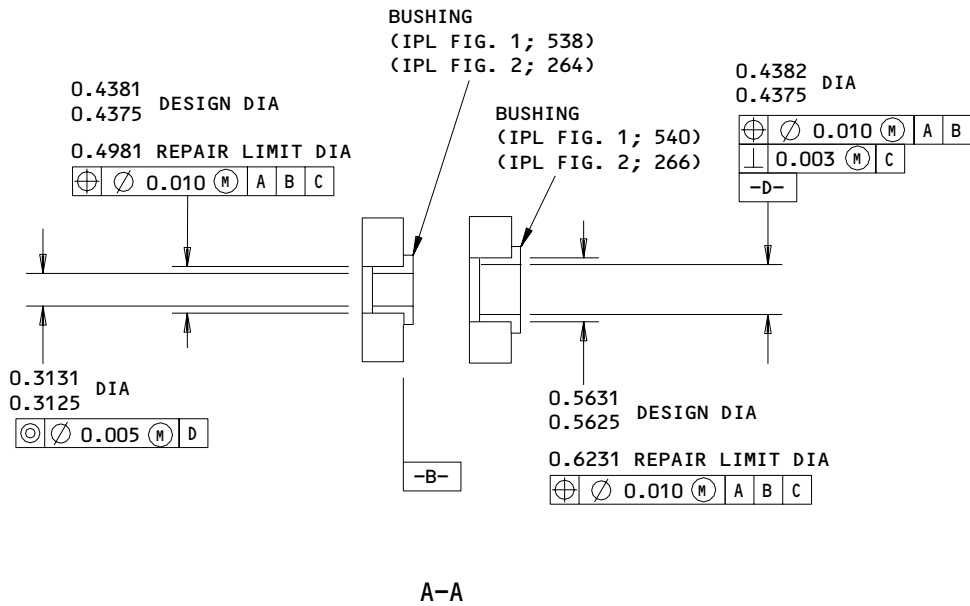
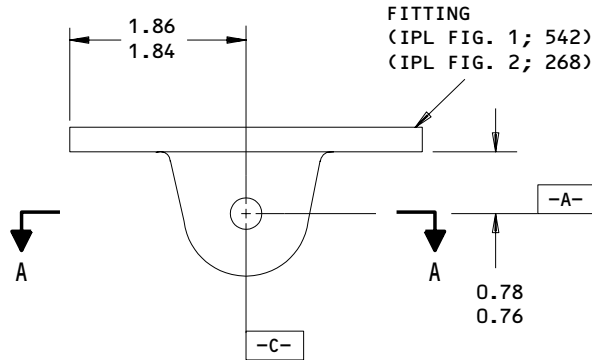
57-53-25

REPAIR 7-1

01.1

Page 602

Jul 01/99



SHOT PEEN: SHOT NO. 230-550
 0.012 A INTENSITY
 2.0 COVERAGE

ALL DIMENSIONS ARE IN INCHES

113T2344-9
 Fitting Assembly Bushing Replacement
 Figure 601

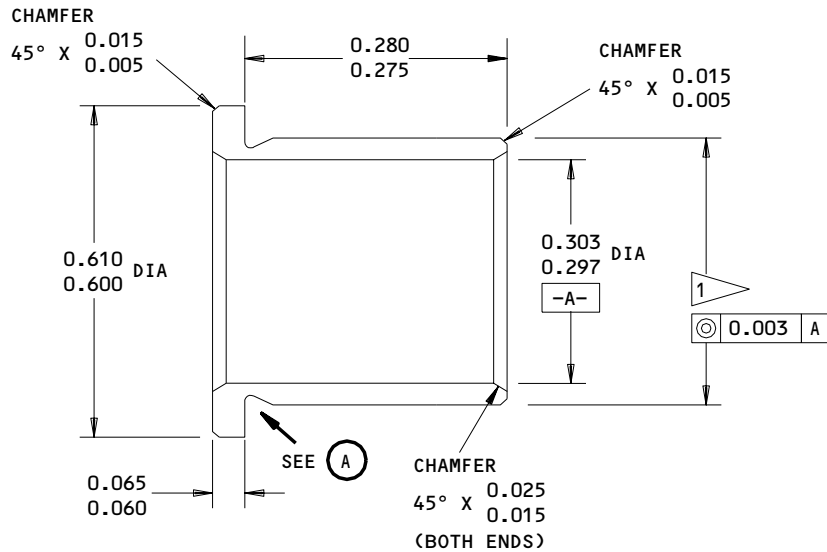
57-53-25

REPAIR 7-1

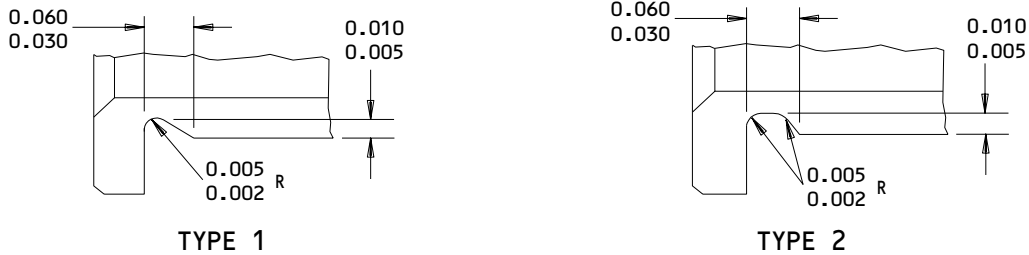
Page 603

Jul 01/99

01.1



OVERSIZE REPLACEMENT BUSHING
 (IPL FIG. 1; 538)
 (IPL FIG. 2; 264)



UNDERCUT TYPE 1 OR TYPE 2 OPTIONAL

(A)

1 FINAL BUSHING OUTSIDE DIAMETER EQUALS REPAIR DIAMETER OF FITTING PLUS INTERFERENCE OF 0.0003-0.0015

63/ ALL MACHINED SURFACES UNLESS SHOWN DIFFERENTLY

ANGULAR TOLERANCE, ±0.50 DEGREES

MATERIAL: 15-5 PH CRES, 180-200 KSI

ALL DIMENSIONS ARE IN INCHES

Oversize Bushing Details
Figure 602

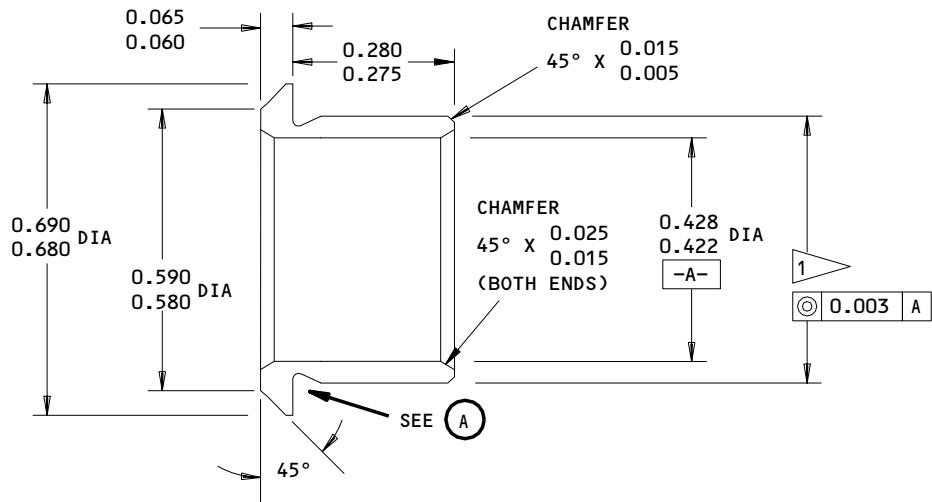
57-53-25

REPAIR 7-1

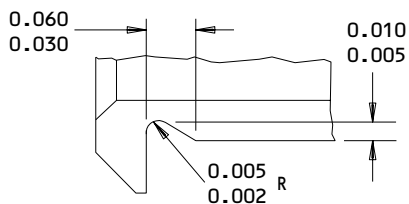
Page 604

Jul 01/99

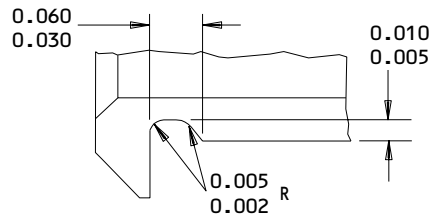
01.1



OVERSIZE REPLACEMENT BUSHING
 (IPL FIG. 1; 540)
 (IPL FIG. 2; 266)



TYPE 1



TYPE 2

UNDERCUT TYPE 1 OR TYPE 2 OPTIONAL

(A)

1 FINAL BUSHING OUTSIDE DIAMETER EQUALS REPAIR DIAMETER OF FITTING PLUS INTERFERENCE OF 0.0005-0.0017

63/ ALL MACHINED SURFACES UNLESS SHOWN DIFFERENTLY

ANGULAR TOLERANCE, ±0.50 DEGREES

MATERIAL: AL-NI-BRZ AS SHOWN IN AMS 4640

FINISH: CADMIUM PLATE PER SOPM 20-42-05, CLASS 2, TYPE 2. PLATING IN BORE OPTIONAL.

DIMENSIONS APPLY AFTER PLATING

ALL DIMENSIONS ARE IN INCHES

Oversize Bushing Details
Figure 603

57-53-25

REPAIR 7-1

Page 605

Jul 01/99

01.1

SIDE STRUT ASSEMBLY - REPAIR 8-1

113T2345-1, -2

NOTE: Refer to REPAIR-GEN for list of applicable standard practices.

| 1. Bushing Replacement

- | A. Remove the bushings (IPL Fig. 1; 556, 558) (IPL Fig. 2; 288, 290).
- B. Repair beam bushing hole, if and as required, per paragraph 2.
- C. Install bushings per 20-50-03 using BMS 5-95 sealant.
- D. Machine bushings per Fig. 601.
- E. Fillet seal bushing flanges using BMS 5-95 sealant.
- F. Topcoat seal with one coat BMS 10-60, BAC707 gray gloss enamel (SRF-14.9813).

| 2. Repair

- | A. Machine the bushing (IPL Fig. 1; 556, 558) (IPL Fig. 2; 288, 290) holes in the beam (IPL Fig. 1; 560) (IPL Fig. 2; 292, 294), as required, per Fig. 601.
- B. Penetrant check machined surfaces per 20-20-02.
- C. Shot peen machined surfaces per Fig. 601, after penetrant check but before refinishing.
- D. Anodize (F-17.04) machined surfaces per 20-43-01.
- | E. Fabricate replacement bushings for the bushing (IPL Fig. 1; 558) (IPL Fig. 2; 290) per Fig. 602 and bushing (IPL Fig. 1; 556) (IPL Fig. 2; 288) per Fig. 603.

57-53-25

REPAIR 8-1

01.1

Page 601

Jul 01/99

F. Install the bushings as specified by steps 1.C thru 1.F.

3. Bearing Replacement

A. Remove the bearings (IPL Fig. 1; 552, 554) (IPL Fig. 2; 284, 286).

B. Install bearings using BMS 5-95 sealant and roller swage per 20-50-03.

(1) Bearing (IPL Fig 1; 552) (IPL Fig. 2; 284) must withstand a pushout load of 1250 pounds.

(2) Bearing (IPL Fig. 1; 554) (IPL Fig. 2; 286) must withstand a pusload load of 1690 pounds.

4. Refinish

A. Beam (IPL Fig. 1; 560) (IPL Fig. 2; 292, 294) -- Chromic acid anodize, type 1 and apply one coat BMS 10-11, type 1 primer (F-18.13) and one coat BMS 10-60, BAC707 gray gloss enamel (SRF 14.9813) all over, except omit primer and enamel from bushing and bearing holes. Material: Aluminum alloy.

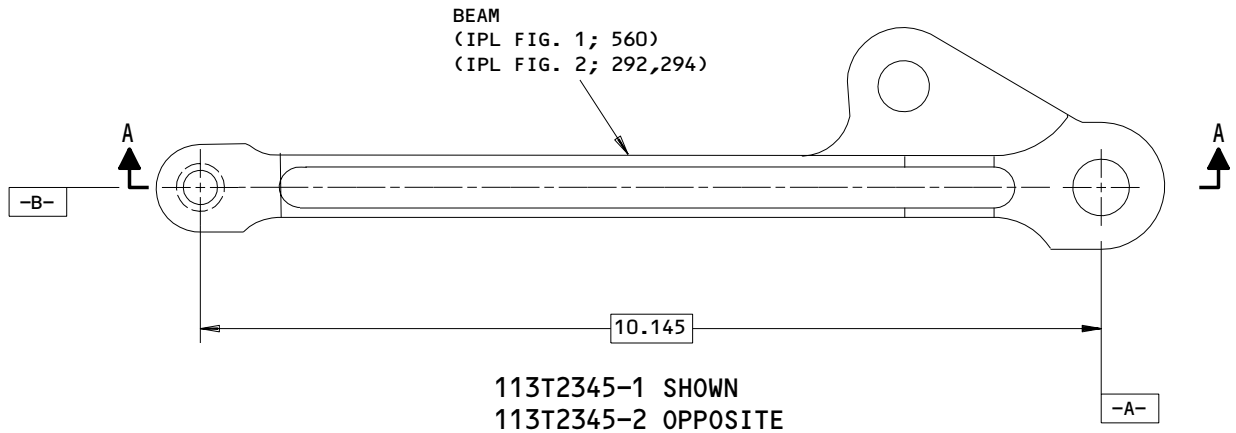
57-53-25

REPAIR 8-1

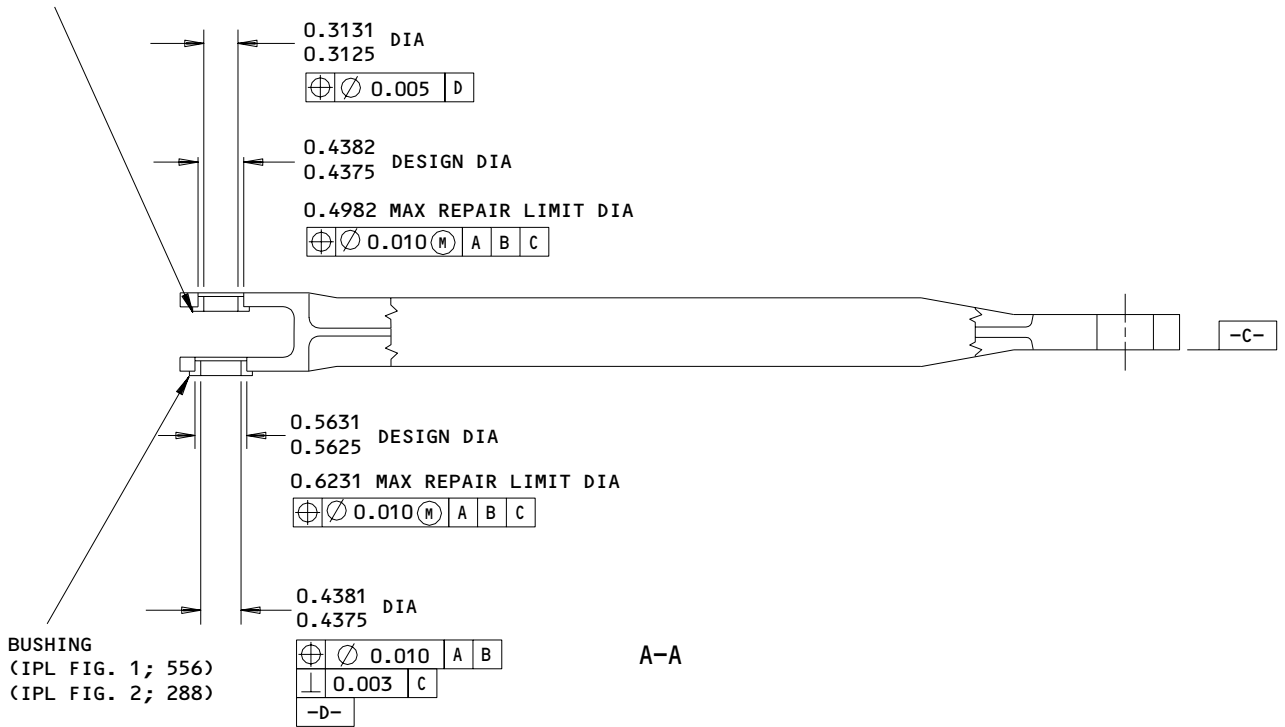
01.1

Page 602

Jul 01/99



BUSHING
 (IPL FIG. 1; 558)
 (IPL FIG. 2; 290)



SHOT PEEN: SHOT NO. 230-550
 0.004-0.007 A INTENSITY
 2.0 COVERAGE

ALL DIMENSIONS ARE IN INCHES

113T2345-1,-2
 Side Strut Assembly Bushing Replacement
 Figure 601

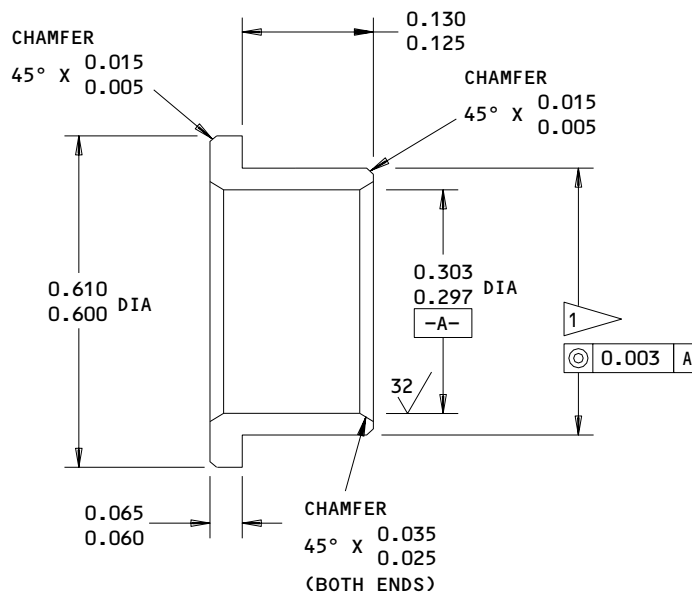
57-53-25

REPAIR 8-1

Page 603

Jul 01/99

01.1



OVERSIZE REPLACEMENT BUSHING
 (IPL FIG. 1; 558)
 (IPL FIG. 2; 290)

1 FINAL BUSHING OUTSIDE DIAMETER
 EQUALS REPAIR DIAMETER OF RIB PLUS
 INTERFERENCE OF 0.0003-0.0015

63/ ALL MACHINED SURFACES UNLESS SHOWN
 DIFFERENTLY

ANGULAR TOLERANCE, ± 0.05 DEGREES

MATERIAL: 15-5 PH CRES, 180-200 KSI

ALL DIMENSIONS ARE IN INCHES

Oversize Bushing Details
 Figure 602

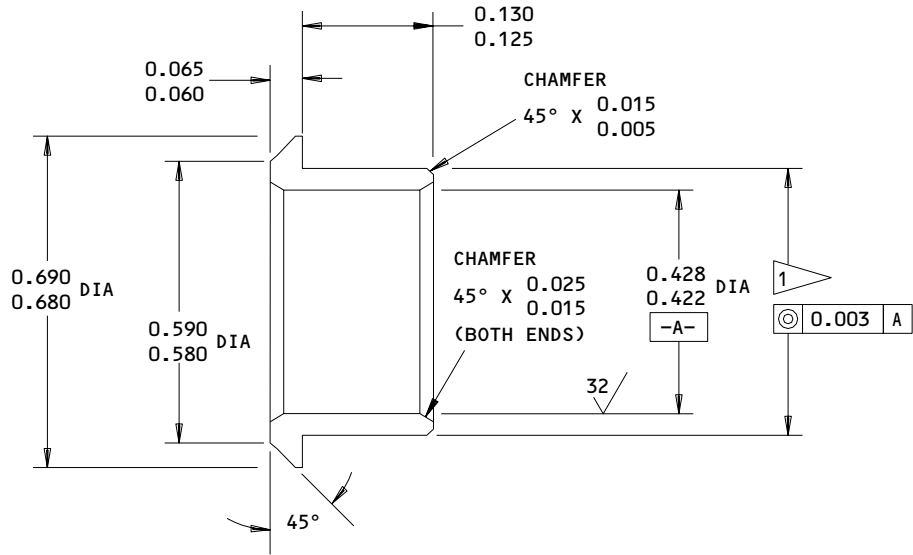
57-53-25

REPAIR 8-1

Page 604

Jul 01/99

01.1



OVERSIZE REPLACEMENT BUSHING
 (IPL FIG. 1; 556)
 (IPL FIG. 2; 288)

1 FINAL BUSHING OUTSIDE DIAMETER EQUALS REPAIR DIAMETER OF FITTING PLUS INTERFERENCE OF 0.0005-0.0017

63/ ALL MACHINED SURFACES UNLESS SHOWN DIFFERENTLY

ANGULAR TOLERANCE, ±0.50 DEGREES

MATERIAL: AL-NI-BRZ PER SOPM AMS 4640

DIMENSIONS APPLY AFTER PLATING

ALL DIMENSIONS ARE IN INCHES

Oversize Bushing Details
 Figure 603

57-53-25

REPAIR 8-1

Page 605

Jul 01/99

01.1

FITTING ASSEMBLY – REPAIR 9-1

113T2344-1, -3, -21, -25

NOTE: Refer to REPAIR-GEN for a list of applicable standard practices. Refer to IPL Fig. 1 for item numbers. For repair of surfaces which is only replacement of the original finish, refer to Refinish instructions, Fig. 601.

1. Bearing Replacement (Fig. 601)

- A. Remove the bearing (IPL Fig. 1; 568, 640) (IPL Fig. 2; 306, 394).
- B. If you find defects on the bore, refer to par. 2 below for repair instructions.
- C. Install bearings with BMS 5-95 sealant and roller swage per 20-50-03.
- D. Give the bearing a pushout load test of 1253 pounds.

2. Bore for Bearing (Fig. 601)

- A. Method 1 -- Bore within design dimensions
 - (1) Machine as required, within design dimensions, to remove defects.
 - (2) Refinish as indicated.
- B. Method 2 -- Installation of oversize bearing
 - (1) Machine as required, within repair limits, to remove defects.
 - (2) Refinish as indicated.

57-53-25

REPAIR 9-1

01.1

Page 601

Jul 01/99

- (3) Get a replacement bearing.
- (4) Remove the cadmium plate from the OD of the bearing.
- (5) Build up the OD with nickel plate per SOPM 20-42-08 or 20-42-09, then cadmium plate the nickel plated surface per SOPM 20-42-05 to get a maximum gap, between the bearing and the oversized fitting bore, of 0.0013 inch.
- (6) When you install the bearing, be sure to use this oversize bearing.

C. Method 3 -- Installation of repair sleeve

- (1) Machine to the repair limit to remove defects.
- (2) Refinish as indicated.
- (3) Make a repair sleeve (Fig. 602).
- (4) Install the repair sleeve by the shrink fit method, with BMS 5-95 sealant on the mating surfaces.
- (5) Machine the ID of the sleeve to design dimensions and finish.

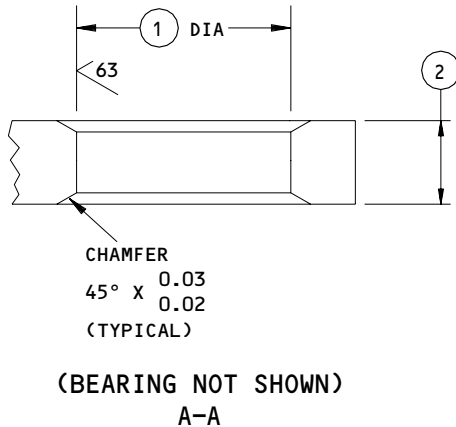
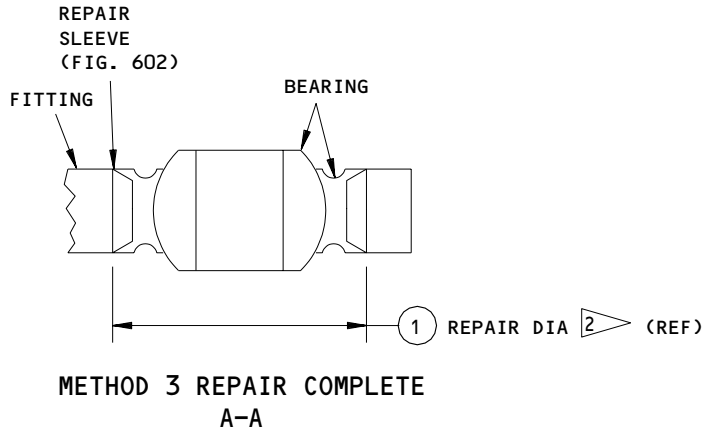
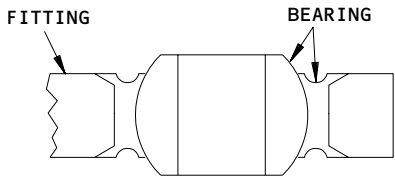
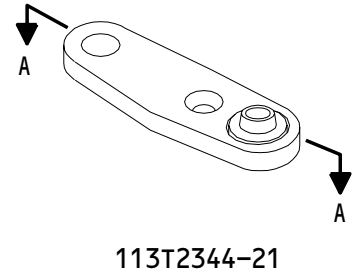
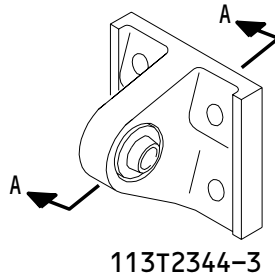
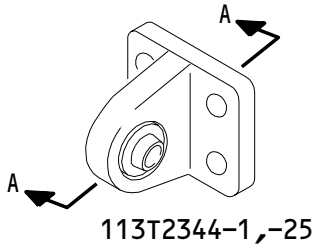
57-53-25

REPAIR 9-1

01.1

Page 602

Jul 01/99



REFERENCE NUMBER	1	2
DESIGN DIMENSION	0.7508 0.7500	0.316 0.306
REPAIR LIMIT	0.7808 1 0.8700 2	--

REFINISH

FITTING: CHROMIC ACID ANODIZE AND APPLY PRIMER BMS 10-11, TYPE 1 (F-18.13) AND ENAMEL BMS 10-60 (SRF-14.9813), BUT NO ENAMEL IN HOLES.

- 1 LIMIT FOR INSTALLATION OF OVERSIZE BEARING
- 2 LIMIT FOR INSTALLATION OF REPAIR SLEEVE

REPAIR

REF 1 2
 125 ALL MACHINED SURFACES UNLESS SHOWN DIFFERENTLY

SHOT PEEN: 0.023-0.055 SHOT SIZE
 0.012 A2 INTENSITY

MATERIAL: AL ALLOY

ALL DIMENSIONS ARE IN INCHES

113T2344-1,-3,-21,-25
 Fitting Assembly Repair and Refinish
 Figure 601

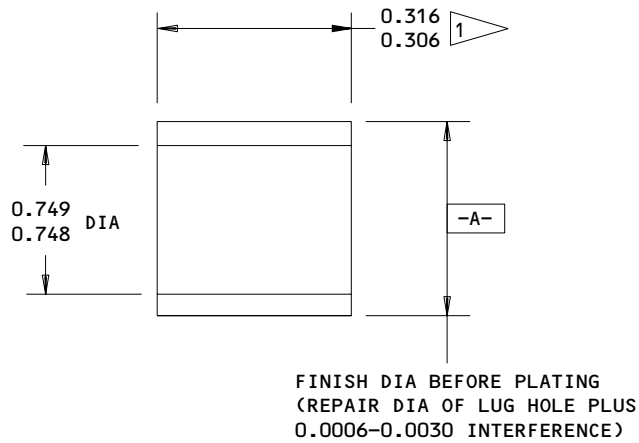
57-53-25

REPAIR 9-1

Page 603

Jul 01/99

01.1



REPAIR

125/ ALL MACHINED SURFACES UNLESS SHOWN
 DIFFERENTLY

BREAK SHARP EDGES 0.01-0.02 R

CADMIUM PLATE (0.0003-0.0005 THICK,
 F-15.06) (OPTIONAL ON INTERNAL SURFACES)

MATERIAL: AL-NI-BRZ, AMS 4640 OR 4880

DIMENSIONS APPLY BEFORE PLATING

ALL DIMENSIONS ARE IN INCHES

1 ADJUST LENGTH OF SLEEVE FOR A FIT FLUSH
 WITH OR 0.010 MAX BELOW SURFACE OF LUG

HOLE LOCATION (1) FIG. 601

Repair Sleeve Details
 Figure 602

57-53-25

REPAIR 9-1

Page 604

Jun 01/95

01.1

MISCELLANEOUS PARTS REFINISH – REPAIR 10-1

1. Repair of parts listed in Table 1 is only for replacement of the original finish. Refer to REPAIR-GEN for a list of applicable standard practices.

IPL FIG. & ITEM	MATERIAL	FINISH
<u>FIG. 1</u>		
Seal Retainer (80A, 81, 85, 87, 90, 93, 175, 180)	Alum alloy	Chromic acid anodize, type 1 and apply one coat BMS 10-11, type 1 primer (F-18.13) all over.
Retainer plate (668, 670, 672, 673)		Chromic acid anodize, type 1 and apply one coat BMS 10-11, type 1 primer (F-18.13) all over.
Clip (920, 926) Shim (942, 982)		Chromic acid anodize, type 1 and apply one coat BMS 10-11, type 1 primer (F-18.13) all over.
Strap (70, 75, 77, 78, 165, 170) Rib (806, 808, 838, 868) Doubler (843)	Alum alloy	Chemically treat surface, colored film and apply one coat BMS 10-11, type 1 primer (F-18.06) all over.
Retainer (312, 313, 314, 315, 388, 389, 390, 391)	Alum alloy	Chromic acid anodize, type 1 and apply one coat BMS 10-11, type 1 primer (F-18.13) all over.
Retainer (582, 691)	15-5PH CRES	Cadmium plate, type 2, class 2 and apply one coat BMS 10-11, type 1 primer (F-16.01) all over.
Retainer (579)	15-5PH CRES	Cadmium plate, type 2, class 2 and apply one coat BMS 10-11, type 1 primer (F-16.01) all over except omit primer from threaded areas.

Refinish Details
Table 601 (Sheet 1)

57-53-25

REPAIR 10-1

01.1

Page 601

Nov 01/05

IPL FIG. & ITEM	MATERIAL	FINISH
Nose Skin (235, 240, 285, 290, 325, 330, 365, 370, 400, 405)	Alum alloy	Chromic acid anodize, type 1 and apply one coat BMS 10-11, type 1 primer (F-18.13) to inside of nose skin. Chromic acid anodize, type 1 (F-17.04) and apply one coat BMS 10-79, type 2 primer (F-19.46) to outside of nose skin.
Nose skin (304, 305, 306, 307, 380, 381, 382, 383, 402, 407)	Alum alloy	Chromic acid anodize (F-17.02), then apply BMS 10-79, type 3 primer (F-19.47).
Nose skin (304A, 305A, 306A, 307A, 380A, 381A, 382A, 383A)	Alum alloy	Apply BMS 10-11, type 1 primer (F-20.02) and BMS 10-86, type 1 or 2 teflon coating (SRF-14.9625) to the inside surface. Prepare (SRF-14.672) and apply BMS 10-79, type 3 primer (F-19.47) to the outside surface.
Filler (703) Skin (704, 705)	Kevlar epoxy	Prepare surface and apply Dexter 28-C-1 static conditioner plus Dexter 8-W-5 surfacer (SRF-14.672) plus BMS 10-21, type 1 conductive coating (SRF-14.68) plus one coat BMS 10-79, type 2 primer (F-19.46) to previously painted surface.

Refinish Details
Table 601 (Sheet 2)

57-53-25

REPAIR 10-1

01.1

Page 602

Jul 01/99

IPL FIG. & ITEM	MATERIAL	FINISH
Hinge Skin (658) Rib (708) Rib Bond Assy (666)	Kevlar epoxy	Prepare surface and apply Dexter 28-C-1 static conditioner plus Dexter 8-W-5 surfacer (SRF-14.672) plus BMS 10-21, type 1 conductive coating (SRF-14.68) plus one coat BMS 10-79, type 2 primer (F-19.46) to inside of curve.
Strap (706)		Prepare surface and apply Dexter 28-C-1 static conditioner plus Dexter 8-W-5 surfacer (SRF-14.672) plus BMS 10-21, type 1 conductive coating (SRF-14.68) plus one coat BMS 10-79, type 2 primer (F-19.46) to outside of curve.
Wedge assembly (870, 871)	Alum alloy	Prepare the exterior surface (SRF-14.672) then apply BMS 10-21, type 3 coating (F-14.685) and BMS 10-79, type 2 primer (F-19.46).
Fitting (944, 946, 948A, 984)	Alum alloy	Chromic acid anodize, type 1 and apply one coat BMS 10-11, type 1 primer (F-18.13) all over, except no primer in holes.
Wedge spar (995)	Alum alloy	Apply one coat BMS 10-11, type 1 primer (F-20.02) to exposed surfaces.

Refinish Details
Table 601 (Sheet 3)

57-53-25

REPAIR 10-1

01.1

Page 603

Nov 01/05

IPL FIG. & ITEM	MATERIAL	FINISH
Fitting (710, 712) Filler (750)	Alum alloy	Chromic acid anodize, type 1 and apply one coat BMS 10-11 (F-18.13) and one coat BMS 10-60, BAC707 gray gloss enamel (SRF-14.9813) all over.
Rub Strip (575, 576)	Phos bronze	Cadmium plate, type 2, class 2 (F-15.06) plus apply two coats BMS 10-11, type 1 primer (F-20.03) all over.

Refinish Details
 Table 601 (Sheet 4)

57-53-25

REPAIR 10-1

01.1

Page 604

Jul 01/99

IPL FIG. & ITEM	MATERIAL	FINISH
<u>FIG. 2</u>		
Seal Retainer (42, 44, 46, 48, 82, 84)	Alum alloy	Chromic acid anodize, type 1 and apply one coat BMS 10-11, type 1 primer (F-18.13) all over.
Retainer plate (436, 438, 440, 442)		Chromic acid anodize, type 1 and apply one coat BMS 10-11, type 1 primer (F-18.13) all over.
Clip (868, 874) Shim (916)		Chromic acid anodize, type 1 and apply one coat BMS 10-11, type 1 primer (F-18.13) all over.
Strap (36, 38, 40, 76, 78)	Alum alloy	Chemically treat surface, colored film and apply one coat BMS 10-11, type 1 primer (F-18.06) all over.
Doubler (740, 742, 744, 746)	Alum alloy	Chemically treat surface, colored film and apply one coat BMS 10-11, type 1 primer (F-18.06) all over.
Rib (628 thru 658) Rib (702 thru 712) and Rib (766, 768)	Alum alloy	Chemically treat surface, colored film and apply one coat BMS 10-11, type 1 primer (F-18.06) all over.
Retainer (144, 146, 148, 150, 186, 188, 190, 192)	Alum alloy	Chromic acid anodize, type 1 and apply one coat BMS 10-11, type 1 primer (F-18.13) all over.
Retainer (330, 476)	15-5PH CRES	Cadmium plate, type 2, class 2 and apply one coat BMS 10-11, type 1 primer (F-16.01) all over.
Retainer (326)	15-5PH CRES	Cadmium plate, type 2, class 2 and apply one coat BMS 10-11, type 1 primer (F-16.01) all over except omit primer from threaded areas.

Refinish Details
Table 601 (Sheet 5)

57-53-25

REPAIR 10-1

01.1

Page 605

Jul 01/99

IPL FIG. & ITEM	MATERIAL	FINISH
Nose Skin (110, 112, 156, 158, 198, 200)	Alum alloy	Chromic acid anodize, type 1 and apply one coat BMS 10-11, type 1 primer (F-18.13) to inside of nose skin. Chromic acid anodize, type 1 (F-17.04) and apply one coat BMS 10-79, type 2 primer (F-19.46) to outside of nose skin.
Nose skin (128, 130, 132, 134, 170, 172, 174, 176)	Alum alloy	Chromic acid anodize (F-17.02), then apply BMS 10-79, type 3 primer (F-19.47).
Filler (500) Skin (502, 504, 506, 508)	Kevlar epoxy	Prepare surface and apply Dexter 28-C-1 static conditioner plus Dexter 8-W-5 surfacer (SRF-14.672) plus BMS 10-21, type 1 conductive coating (SRF-14.68) plus one coat BMS 10-79, type 2 primer (F-19.46) to previously painted surface.

Refinish Details
 Table 601 (Sheet 6)

57-53-25

REPAIR 10-1

01.1

Page 606

Jul 01/99

IPL FIG. & ITEM	MATERIAL	FINISH
Hinge Skin (416) Rib (512, 514) Rib Bond Assy (434)	Kevlar epoxy	Prepare surface and apply Dexter 28-C-1 static conditioner plus Dexter 8-W-5 surfacer (SRF-14.672) plus BMS 10-21, type 1 conductive coating (SRF-14.68) plus one coat BMS 10-79, type 2 primer (F-19.46) to inside of curve.
Strap (510)		Prepare surface and apply Dexter 28-C-1 static conditioner plus Dexter 8-W-5 surfacer (SRF-14.672) plus BMS 10-21, type 1 conductive coating (SRF-14.68) plus one coat BMS 10-79, type 2 primer (F-19.46) to outside of curve.
Wedge assembly (772, 774)	Alum alloy	Prepare the exterior surface (SRF-14.672) then apply BMS 10-21, type 3 coating (F-14.685) and BMS 10-79, type 2 primer (F-19.46).
Fitting (878, 918, 920)	Alum alloy	Chromic acid anodize, type 1 and apply one coat BMS 10-11, type 1 primer (F-18.13) all over, except no primer in holes.
Wedge spar (942, 944)	Alum alloy	Apply one coat BMS 10-11, type 1 primer (F-20.02) to exposed surfaces.

Refinish Details
Table 601 (Sheet 7)

IPL FIG. & ITEM	MATERIAL	FINISH
Fitting (524, 526) Filler (558)	Alum alloy	Chromic acid anodize, type 1 and apply one coat BMS 10-11 (F-18.13) and one coat BMS 10-60, BAC707 gray gloss enamel (SRF-14.9813) all over.
Rub Strip (318, 320)	Phos bronze	Cadmium plate, type 2, class 2 (F-15.06) plus apply two coats BMS 10-11, type 1 primer (F-20.03) all over.

Refinish Details
 Table 601 (Sheet 8)

57-53-25

REPAIR 10-1

01.1

Page 608

Jul 01/99

BOLT - REPAIR 11-1

113T2108-3

NOTE: Refer to REPAIR-GEN for a list of applicable standard practices.

1. Shank Diameter (Fig. 601)

- A. Machine as required, within repair limits, to remove defects.
- B. Shot peen as indicated.
- C. Build up with chrome plate.
- D. Grind to design dimensions and finish.

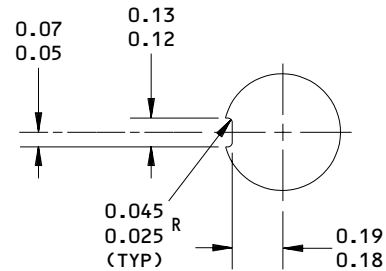
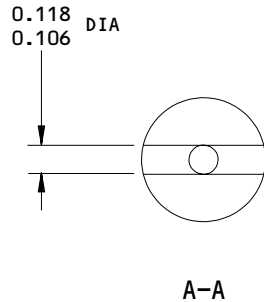
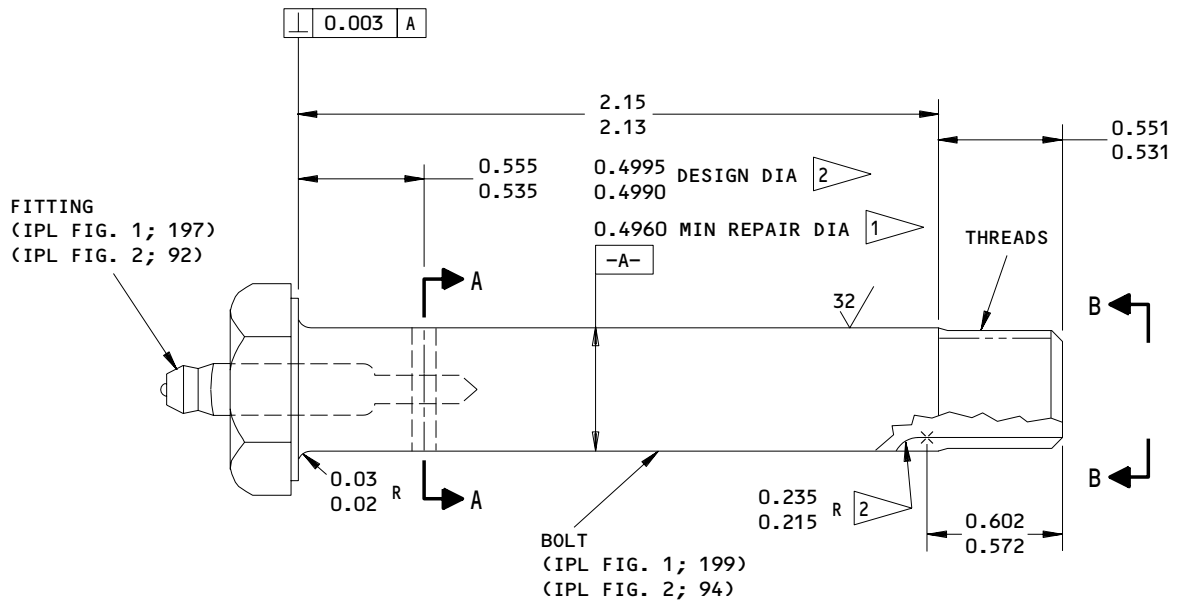
57-53-25

REPAIR 11-1

01.101

Page 601

Jul 01/99



REFINISH

BOLT (IPL FIG. 1; 199; IPL FIG. 2; 94) CADMIUM PLATE (F-15.02)

- 1 LIMIT FOR CHROME PLATE BUILDUP AND GRIND TO DESIGN DIMENSIONS AND FINISH
- 2 DIMENSIONS APPLY AFTER PLATING

REPAIR

REF 1
 125 ✓ ALL MACHINED SURFACES UNLESS SHOWN DIFFERENTLY

SHOT PEEN: 0.017-0.046 SHOT SIZE
 0.014-0.019 A2 INTENSITY

MATERIAL: 15-5PH CRES, 180-200 KSI

ALL DIMENSIONS ARE IN INCHES

113T2108-3
 Bolt Assembly Repair and Refinish
 Figure 601

57-53-25

REPAIR 11-1

01.1

Page 602

Mar 01/00

BOLT - REPAIR 12-1

113T2108-8, -9

1. Coating Repair

- A. Repair is only replacement of the original finish. Refer to Refinish instructions, Fig. 601. Refer to REPAIR - GEN for a list of applicable standard practices.

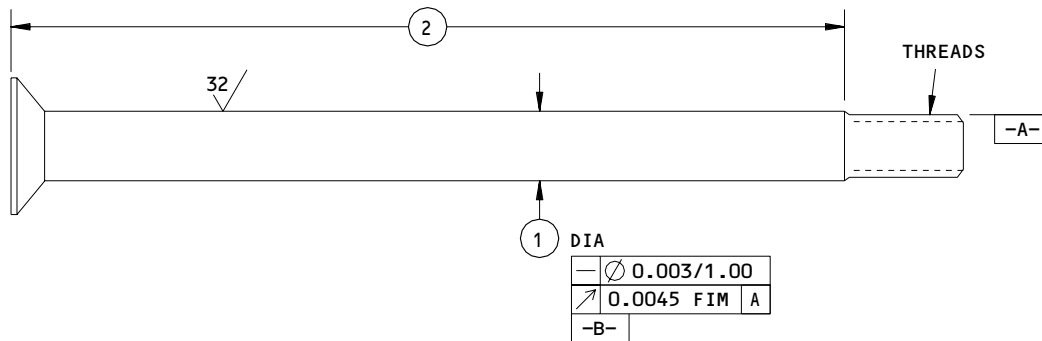
57-53-25

REPAIR 12-1

01.101

Page 601

Jul 01/99



REFERENCE NUMBER	①	② ①	② ②
DESIGN DIMENSION	0.2495 0.2485	2.765 2.735	2.515 2.485
REPAIR LIMIT	--	--	--

REFINISH

APPLY ALUMINUM PIGMENTED BLACK COATING BMS 10-85, TYPE 1.

IF THERE ARE BARE AREAS, PREPARE THEM AND APPLY PRIMER BMS 10-11, TYPE 1 (F-18.12 AND F-20.02).

- ① 113T2108-8
- ② 113T2108-9

REPAIR

(SAME AS REFINISH)

125/ ALL MACHINED SURFACES UNLESS SHOWN DIFFERENTLY

MATERIAL: 6AL-4V TITANIUM ALLOY

ALL DIMENSIONS ARE IN INCHES

113T2108-8,-9
 Bolt Repair and Refinish
 Figure 601

57-53-25

REPAIR 12-1

Page 602

Jul 01/99

01.1

AFT FLAP ASSEMBLY – REPAIR 13-1

113T2301
015T1415

1. Flap Assembly Topcoat (Fig. 601)

- A. If necessary, clean and apply alodine 1200 to any bare aluminum surfaces. Fastener heads do not require alodine.
- B. If necessary, reactivate all areas to be refinished as specified by SOPM 20-41-02, and apply BMS 10-79, type 3 primer to all bare aluminum, plastic surfaces, fastener heads, and damaged primer.
- C. Apply primer and enamel to the Aft Flap Assembly as shown in Fig. 601, but do not apply any finish to the parts and joints which received finish before final assembly.
- D. If the finish shown is different from that of the airplane color scheme, use the paints that agree with those of the airplane color scheme.

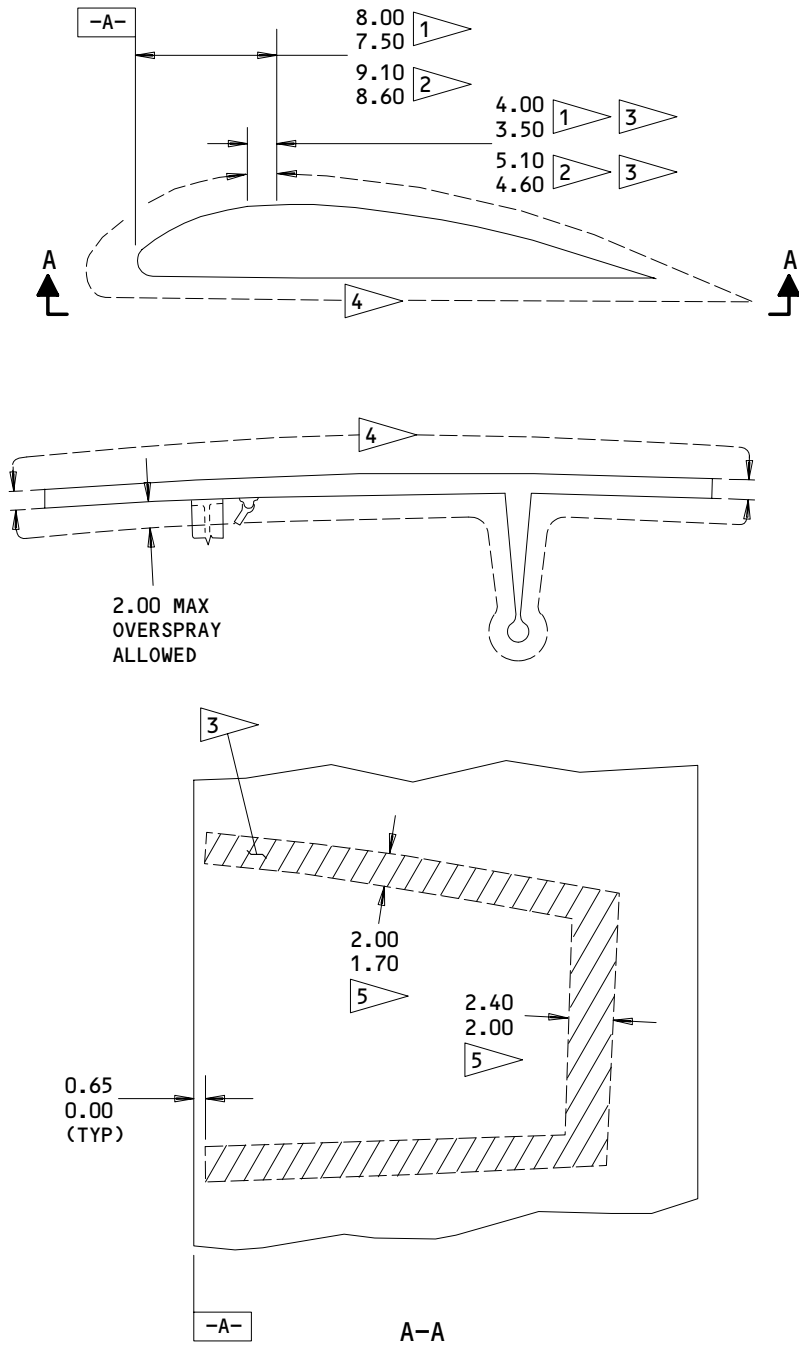
57-53-25

REPAIR 13-1

01.1

Page 601

Jul 01/99



ALL DIMENSIONS ARE IN INCHES

Aft Flap Refinish Details
 Figure 601 (Sheet 1)

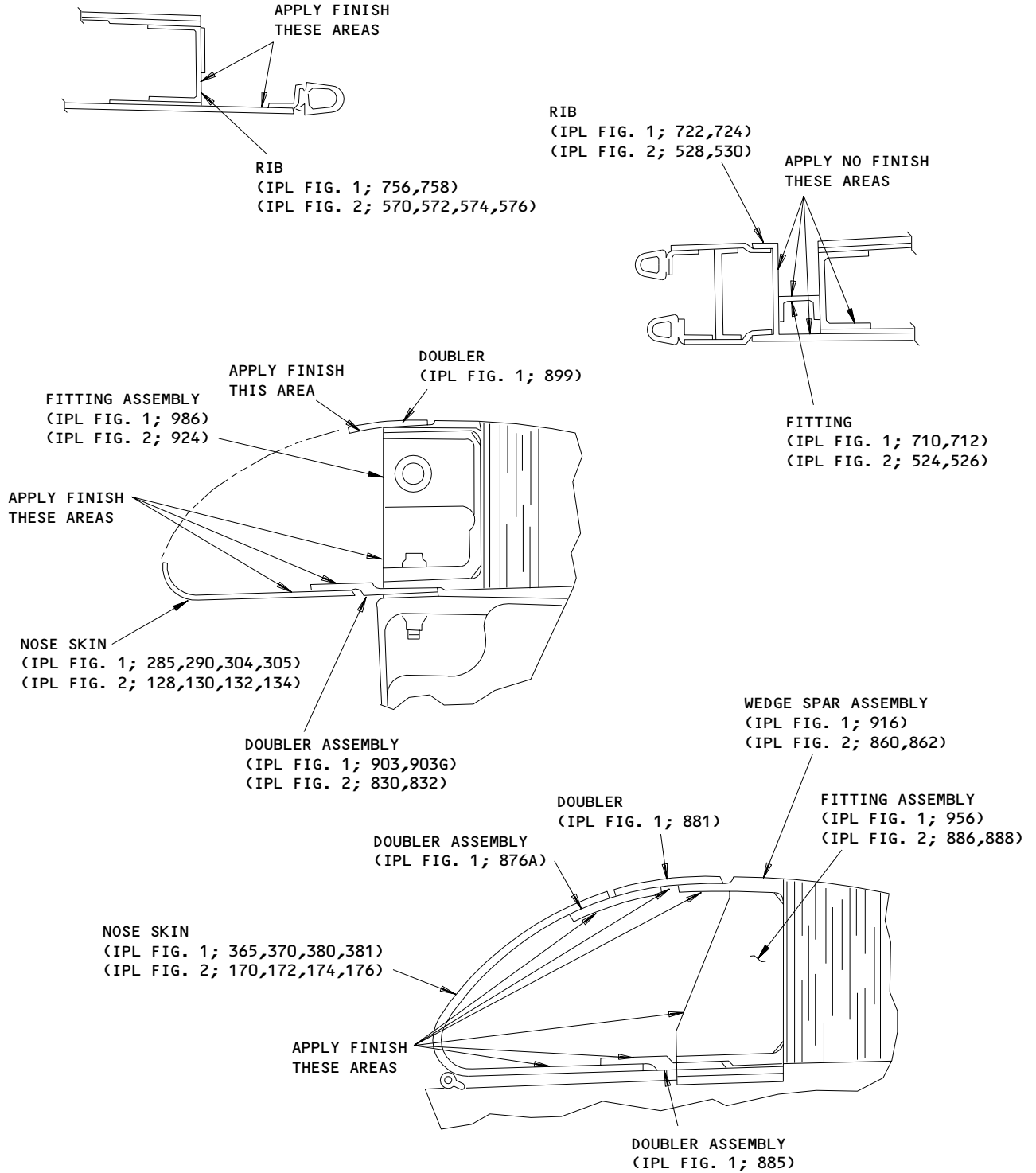
57-53-25

REPAIR 13-1

01.1

Page 602

Jun 01/95



Aft Flap Refinish Details
 Figure 601 (Sheet 2)

57-53-25

REPAIR 13-1

01.1

Page 603

Jul 01/99

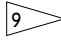



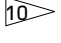
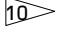
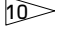
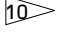
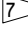
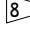
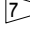
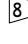
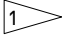
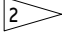
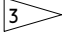
PART NUMBER	ENAMEL BMS 10-60, TYPE 2 F-19.39-XXX							TEFLON COATING BMS 10-86, TYPE 1 OR 2		CORROSION INHIBITING COMPOUND BMS 3-23 TYPE 2 	
	-707	-7308	-7067	 -7067	-7446	 -708	 -7945	NO ENAMEL	SRF-14.9624 (WHITE)		SRF-14.9625 (GRAY)
113T2301-1A,-2A 015T1415-69,-70	X								X		
113T2301-1B,-2B 015T1415-79,-80		X							X		
113T2301-1C,-2C 015T1415-81,-82			X						X		
113T2301-5,-6 015T1415-83,-84							X		X		
113T2301-7A,-8A 015T1415-85,-86	X								X		X
113T2301-15,-16							X		X		X
113T2301-17,-18 015T1415-93,-94					X				X		X
113T2301-19,-20, -25 THRU -28 015T1415-95,-96											X
113T2301-29,-30			X						X		X
113T2301-31G,-32G	X									X	X
113T2301-31H,-32H				X					X		X

TABLE A

 113T2301-1SP,-2SP,-5,-6
015T1415-69,-70,-79 THRU -84

 113T2301-7SP,-8SP,-15 THRU -20,
-25 THRU -30,
015T1415-85,-86,-93 THRU -96

 APPLY TEFLON COATING BMS 10-86 AS
INDICATED (TABLE A)

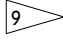
 APPLY ENAMEL BMS 10-60 AS INDICATED
(TABLE A)

 USE THE OLD FINISH AS A GUIDE

 DE SOTO 1000 SYSTEM ONLY

 LOWER SURFACE ONLY

 UPPER SURFACE ONLY

 ON THESE FLAPS, AFTER ALL FINISH, APPLY
BMS 3-23, TYPE 2 CORROSION INHIBITING
COMPOUND TO ALL INTERIOR AND EXTERIOR
METALLIC STRUCTURE. THIS INCLUDES
INTERIOR SURFACES OF METALLIC SKIN PANELS.
MASK AREAS WHICH WILL GET SEALANT OR
AERODYNAMIC FILLERS. THE COMPOUND IS NOT
NECESSARY ON SEAL RETAINERS, INTERIOR OR
NONMETALLIC SKIN PANELS, METALLIC
FASTENERS OR FLAP LINKAGES. DO NOT APPLY
COMPOUND TO SEALS, BUT OVERSPRAY IS PER-
MITTED. DO NOT APPLY THE COMPOUND TO
BEARINGS, BUSHINGS, ROD ENDS OR ELECTRICAL
CONNECTIONS.

 NOT ORIGINALLY APPLIED, BUT RECOMMENDED
FOR BETTER CORROSION RESISTANCE.

Aft Flap Refinish Details
 Figure 601 (Sheet 3)

57-53-25

REPAIR 13-1

01.1

Page 604

Jul 01/99

ASSEMBLY

1. Materials

NOTE: Equivalent substitutes can be used.

- A. Adhesive -- type 38 (Ref 20-50-12)
- B. Adhesive -- type 44 (Ref 20-50-12)
- C. Adhesive -- type 60 (Ref 20-50-12)
- D. Adhesive -- type 70 (Ref 20-50-12)
- E. Adhesive -- type 93 (Ref 20-50-12)
- F. Coating, abrasion resistant teflon -- BMS 10-86, type 1 or type 2 (Ref 20-60-02)
- G. Compound, corrosion preventive -- MIL-C-11796, class 3 (Ref 20-60-02)
- H. Grease -- MIL-G-21164 (Ref 20-60-03)
- I. Grease -- MIL-G-23827 (Ref 20-60-03)
- J. Lockwire -- MS20995NC41-3
- K. Sealant -- BMS 5-95 (Ref 20-60-04)
- L. Primer -- BMS 10-11, type 1 (Ref 20-60-02)

2. Assembly

- A. Use standard industry practices and these special steps.
- B. Apply teflon-filled coating, BMS 10-86, type 1 or 2 per SOPM 20-44-01, type 27 to rib and wedge spar faying surfaces with nose skins (IPL Fig. 1; 235, 240, 285, 290, 304, 305, 306, 307, 325, 330, 365, 370, 400, 402, 405, 407) (IPL Fig. 2; 110, 112, 128, 130, 132, 134, 156, 158, 170, 172, 174, 176, 198, 200).

57-53-25

ASSEMBLY
Page 701
Jul 01/99

01.1

- C. Solvent clean and apply BMS 10-11, type 1 primer to the countersink areas of bolt holes in nose skin (Fig. 1; 235, 240, 285, 290, 304, 305, 306, 307, 325, 330, 365, 370, 400, 402, 405, 407) (IPL Fig. 2; 110, 112, 128, 130, 132, 134, 156, 158, 170, 172, 174, 176, 198, 200) and wedge assembly (IPL Fig. 1; 870, 871) (IPL Fig. 2; 772, 774). After the primer is dried, apply corrosion preventive compound to all areas of hole and countersink and install bolts (IPL Fig. 1; 245, 295, 300, 301, 335, 375, 376, 377, 410, 696) (IPL Fig. 2; 12, 58, 114, 118, 120, 122, 152, 160, 162, 164, 202, 482) within two hours.
- D. Install bolts (IPL Fig. 1; 825, 826) (IPL Fig. 2; 676, 678) with wet BMS 5-95 sealant.
- E. Lubricate OD of bolt (IPL Fig. 1; 199, 510, 528, 547, 628) (IPL Fig. 2; 90, 234, 254, 274, 384), OD of bushing (IPL Fig. 1; 518) (IPL Fig. 2; 242), ID of bushing (IPL Fig. 1; 518, 520, 522, 752, 754) (IPL Fig. 2; 242, 244, 246, 566, 568), OD of roller bearing (IPL Fig. 1; 220) (IPL Fig. 2; 104), ID of bearing (IPL Fig. 1; 552, 554, 640) (IPL Fig. 2; 284, 286, 394) with with MIL-G-23827 grease.
- F. Lubricate lube fitting (IPL Fig. 1; 197) (IPL Fig. 2; 92) and the lubricator on the roller bearing (IPL Fig. 1; 220) (IPL Fig. 2; 104) with MIL-G-21164 grease within 72 hours after assembly.
- G. Lubricate the threads of the bolt (IPL Fig. 1; 199) (IPL Fig. 2; 94) and the roller bearing (IPL Fig. 1; 220) (IPL Fig. 2; 104) with MIL-G-23827 grease before you install the nuts (IPL Fig. 1; 215) (IPL Fig. 2; 102).
- H. Tighten the nut (IPL Fig. 1; 215) (IPL Fig. 2; 102) to 220-300 pound-inches.
- I. Fill all chordwise and spanwise skin areas between nose skin (IPL Fig. 1; 235, 285, 325, 365, 400) (IPL Fig. 2; 110, 128, 156, 170, 198) and wedge spar assembly (IPL Fig. 1; 916) (IPL Fig. 2; 860) with BMS 5-95 sealant.
- J. Fill the slot above the strap (IPL Fig. 1; 706) (IPL Fig. 2; 510) between the lower skin (IPL Fig. 1; 704) (IPL Fig. 2; 502) and upper skin (IPL Fig. 1; 705) (IPL Fig. 2; 506) with BMS 5-95 sealant.
- K. Apply BMS 5-95 fay seal between skin (IPL Fig. 1; 664) (IPL Fig. 2; 430) and skin (IPL Fig. 1; 665) (IPL Fig. 2; 432).
- L. Fill the gap between the hinge skin kevlar assembly (IPL Fig. 1; 658) (IPL Fig. 2; 416) and the hinge fitting assembly (IPL Fig. 1; 685) (IPL Fig. 2; 460) with BMS 5-95 sealant.
- M. Install the lube fitting (IPL Fig. 1; 598, 688) (IPL Fig. 2; 348, 466) and lubricate with MIL-G-23827 grease.

57-53-25

ASSEMBLY
Page 702
Jul 01/99

01.1

- N. Install the rub strip (IPL Fig. 1; 575, 576) (IPL Fig. 2; 318, 320) with BMS 5-95 sealant. Apply BMS 5-95 sealant under the bolt (IPL Fig. 1; 577) (IPL Fig. 2; 314) and the collar (IPL Fig. 1; 578) (IPL Fig. 2; 316).
- O. Lockwire the special washer (IPL Fig. 1; 205) (IPL Fig. 2; 98) to the special nut (IPL Fig. 1; 215) (IPL Fig. 2; 102).
- P. Bearing (IPL Fig. 1; 584) (IPL Fig. 2; 332) retainer hardware installation.
 - (1) Install the retainer (IPL Fig. 1; 579) (IPL Fig. 2; 326) in the hinge fitting (IPL Fig. 1; 600) (IPL Fig. 2; 350) with BMS 5-95 sealant.
 - (2) Apply BMS 10-11, type 1 primer to all areas of holes, and their countersinks, in retainer (IPL Fig. 1; 579, 582) (IPL Fig. 2; 326, 330) and hinge fitting (IPL Fig. 1; 600) (IPL Fig. 2; 350).
 - (3) Apply MIL-C-11796, class 3 corrosion preventive compound to all areas of holes in the retainer (IPL Fig. 1; 579, 582) (IPL Fig. 2; 326, 330) and the hinge fitting (IPL Fig. 1; 600) (IPL Fig. 2; 350). Install the bolt (IPL Fig. 1; 580, 583) (IPL Fig. 2; 322, 328) immediately.
- Q. Install rivet (IPL Fig. 1; 790) (IPL Fig. 2; 610) by the squeeze drive method.
- R. Install the special nut (IPL Fig. 1; 215) (IPL Fig. 2; 102) on the special bolt assembly (IPL Fig. 1; 195) (IPL Fig. 2; 90) with a 0.05-inch minimum thread protrusion.
- S. Install the nut (IPL Fig. 1; 634) (IPL Fig. 2; 390) on the bolt (IPL Fig. 1; 628) (IPL Fig. 2; 384) with a 0.030 inch minimum thread protrusion.
- T. Adjust the seal (IPL Fig. 1; 674, 676, 680, 682) (IPL Fig. 2; 444, 446, 452, 454) to touch firmly against the aft flap.
- U. Peel plies from the shim (IPL Fig. 1; 485) (IPL Fig. 2; 220) to set a maximum gap of 0.005 inch between the fitting (IPL Fig. 1; 542) (IPL Fig. 2; 268) and aft flap. Then install the shim with wet or BMS 10-11, type 1 primer.
- V. Bond the rub strip (IPL Fig. 1; 726) (IPL Fig. 2; 532) to the aft flap as specified by 20-50-12 with type 70 adhesive, or optionally type 44 adhesive but use BMS 5-95 sealant.

57-53-25

ASSEMBLY
Page 703
Jul 01/99

01.1

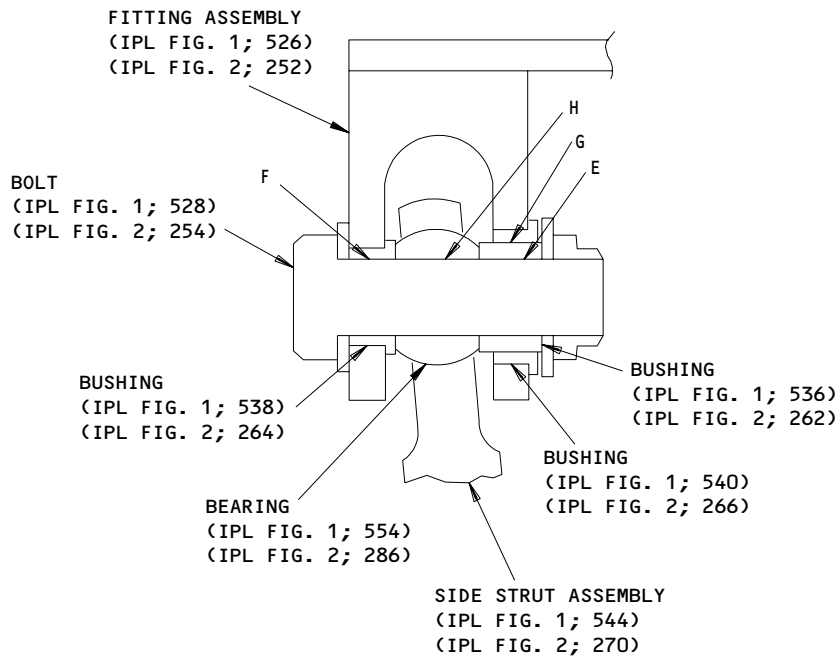
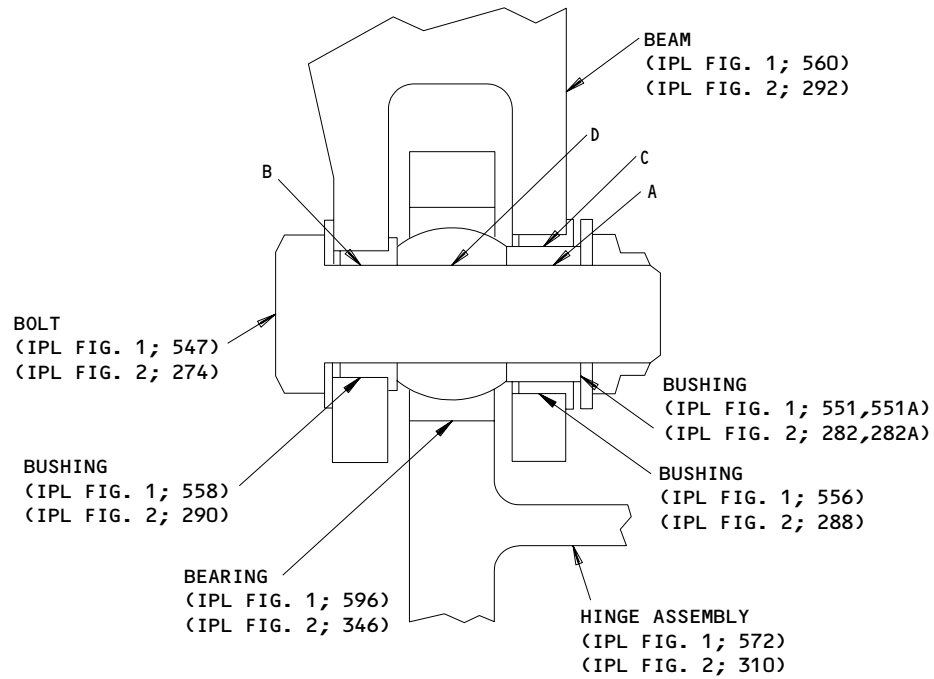
- W. Fill all chordwise and spanwise gaps between the nose skin (IPL Fig. 1; 235, 240, 285, 290, 325, 330, 360, 370, 400, 402, 405, 407) (IPL Fig. 2; 110, 112, 128, 130, 132, 134, 156, 158, 170, 172, 174, 176, 198, 200) and aft flap with BMS 5-95 sealant.
- X. Peel plies from the shim (IPL Fig. 1; 270, 360, 430, 440, 445) (IPL Fig. 2; 116, 204, 208) as required, then install the shim with wet or dry BMS 10-11, type 1 primer.
- Y. Make sure the countersunk fasteners on the exterior flap surface are smooth with the surface within the following limits:
 - (1) Rivets -- within plus 0.007 inch to minus 0.000 inch.
 - (2) Hi-loks, screws, and bolts -- within plus 0.005 inch to minus 0.010 inch.
- Z. Bond the end plugs (IPL Fig. 1; 120) (IPL Fig. 2; 60) in the seals (IPL Fig. 1; 185, 190) (IPL Fig. 2; 86, 88) with adhesive, type 60 as specified by SOPM 20-50-12. The end plugs must be smooth with the seal within plus or minus 0.10 inch.
- AA. Bond the seals (IPL Fig. 1; 678, 684) (IPL Fig. 2; 448, 450, 456) to the inboard hinge assembly (IPL Fig. 1; 644) (IPL Fig. 2; 400) with type 38 adhesive or BMS 5-95 sealant.
- AB. Apply primer and one coat enamel, as indicated in REPAIR 13-1.
- AC. Bond the shims (IPL Fig. 1; 954, 967, 985, 994) (IPL Fig. 2; 884, 898, 922, 940) to the wedge spar (IPL Fig. 1; 916) (IPL Fig. 2; 860) and fitting assembly (IPL Fig. 1; 948, 956, 970, 986) (IPL Fig. 2; 878, 886, 904, 924) with type 93 adhesive as specified by SOPM 20-50-12.

57-53-25

ASSEMBLY
Page 704
Jul 01/99

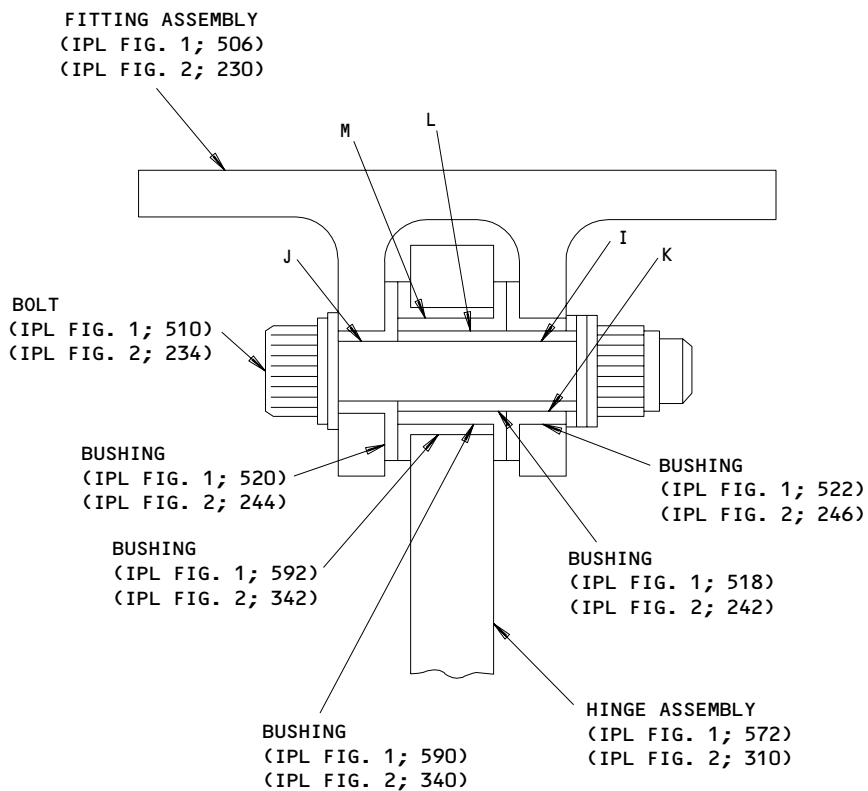
01.1

FITS AND CLEARANCES



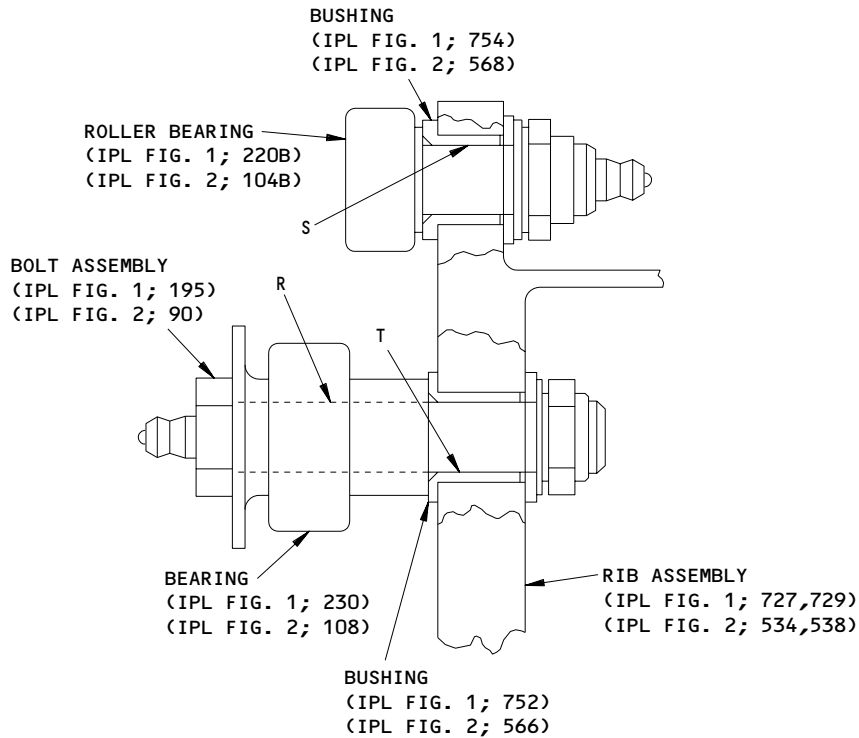
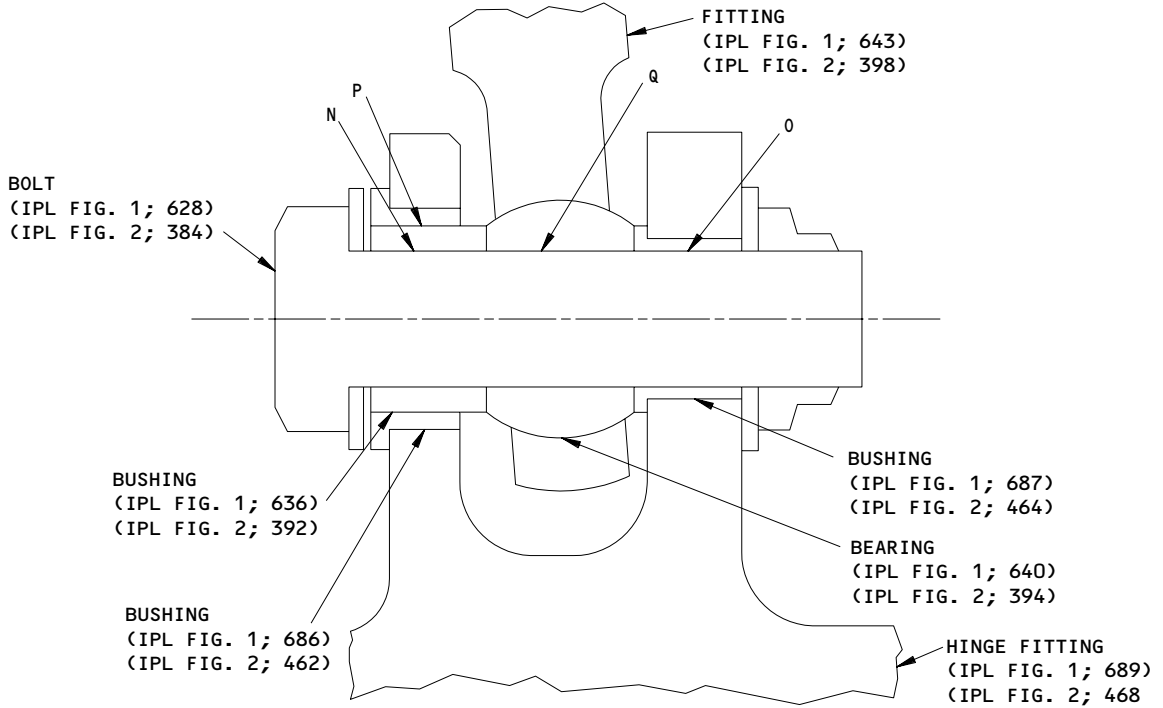
Fits and Clearances
Figure 801 (Sheet 1)

57-53-25



Fits and Clearances
 Figure 801 (Sheet 2)

57-53-25



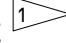
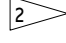
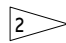
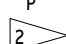
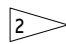
Fits and Clearances
 Figure 801 (Sheet 3)

57-53-25

REF LETTER	REF IPL		DESIGN DIMENSION*				SERVICE WEAR LIMIT*		
	FIG. NO.	MATING ITEM NO.	DIMENSION		ASSEMBLY CLEARANCE		DIMENSION		MAXIMUM CLEARANCE
			MIN	MAX	MIN	MAX	MIN	MAX	
A	1	ID 551,551A	0.3125	0.3130	0.0005	0.0015	0.3170	0.0050	
	2	282,282A							
	1	OD 547	0.3115	0.3120	0.3080				
	2	274							
B	1	ID 558	0.3125	0.3131	0.0005	0.0016	0.3170	0.0050	
	2	290							
	1	OD 547	0.3115	0.3120	0.3081				
	2	274							
C	1	ID 556	0.4375	0.4382	0.0005	0.0017	0.4420	0.0050	
	2	288							
	1	OD 551,551A	0.4365	0.4370	0.4332				
	2	282,282A							
D	1	ID 596	0.3125	0.3129	0.0005	0.0014	0.3170	0.0050	
	2	346							
	1	OD 547	0.3115	0.3120	0.3079				
	2	274							
E	1	ID 536	0.3125	0.3130	0.0005	0.0015	0.3170	0.0050	
	2	262							
	1	OD 528	0.3115	0.3120	0.3080				
	2	254							
F	1	ID 538	0.3125	0.3131	0.0005	0.0016	0.3170	0.0050	
	2	264							
	1	OD 528	0.3115	0.3120	0.3081				
	2	254							
G	1	ID 540	0.4375	0.4382	0.0005	0.0016	0.4420	0.0050	
	2	266							
	1	OD 536	0.4365	0.4370	0.4332				
	2	262							
H	1	ID 554	0.3125	0.3129	0.0005	0.0014	0.3170	0.0050	
	2	286							
	1	OD 528	0.3115	0.3120	0.3079				
	2	254							
I	1	ID 518	0.3125	0.3130	0.0005	0.0015	0.3170	0.0050	
	2	242							
	1	OD 510	0.3115	0.3120	0.3080				
	2	234							

 Fits and Clearances
 Figure 801 (Sheet 4)

57-53-25

REF LETTER	REF IPL		DESIGN DIMENSION*				SERVICE WEAR LIMIT*		
	FIG. NO.	MATING ITEM NO.	DIMENSION		ASSEMBLY CLEARANCE 		DIMENSION		MAXIMUM CLEARANCE
			MIN	MAX	MIN	MAX	MIN	MAX	
J	1	ID 520	0.3125	0.3131	0.0005	0.0016	0.3081	0.3170	0.0050
	2	244							
	1	OD 510	0.3115	0.3120					
	2	234							
K	1	ID 522	0.4375	0.4382	0.0005	0.0017	0.4332	0.4420	0.0050
	2	246							
	1	OD 518	0.4365	0.4370					
	2	242							
L	1	ID 590	0.4375	0.4382	0.0005	0.0017	0.4332	0.4420	0.0050
	2	340							
	1	OD 518	0.4365	0.4370					
	2	242							
M	1	ID 592	0.5625	0.5631	-0.0005	-0.0017			
	2	342							
	1	OD 590	0.5636	0.5642					
	2	340							
	1	ID 636	0.2500	0.2505	0.0005	0.0015	0.2455	0.2545	0.0050
	2	392							
	1	OD 628	0.2490	0.2495					
	2	384							
	1	ID 687	0.2500	0.2505	0.0005	0.0015	0.2455	0.2545	0.0050
	2	464							
	1	OD 628	0.2490	0.2495					
	2	384							
	1	ID 686	0.3750	0.3756	0.0005	0.0016	0.3706	0.3795	0.0050
	2	462							
	1	OD 636	0.3740	0.3745					
	2	392							
	1	ID 640	0.2500	0.2504	0.0005	0.0014	0.2445	0.2554	0.0050
	2	394							
	1	OD 628	0.2490	0.2495					
	2	384							
R	1	ID 230	0.5000	0.5007	0.0007	0.0019		0.5043	0.0050
	2	108							
	1	OD 195	0.4988	0.4993					
	2	90							

Fits and Clearances
Figure 801 (Sheet 5)

57-53-25

REF LETTER	REF IPL		DESIGN DIMENSION*				SERVICE WEAR LIMIT*		
	FIG. NO.	MATING ITEM NO.	DIMENSION		ASSEMBLY CLEARANCE ¹		DIMENSION		MAXIMUM CLEARANCE
			MIN	MAX	MIN	MAX	MIN	MAX	
S	1	ID 754	0.5000	0.5007				0.5050	
	2	568			0.0000	0.0022			0.0050
	1	OD 220B	0.4985	0.5000			0.4957		
	2	104B							
T	1	ID 752	0.5000	0.5007				0.5050	
	2	566			0.0000	0.0022			0.0050
	1	OD 195	0.4985	0.5000			0.4957		
	2	90							

¹ NEGATIVE VALUES DENOTE INTERFERENCE FIT
² JOINT OCCURS AT TWO LOCATIONS

ALL DIMENSIONS ARE IN INCHES

Fits and Clearances
 Figure 801 (Sheet 6)

57-53-25

REF IPL		NAME	TORQUE*	
FIG. NO.	ITEM NO.		POUND-INCHES	POUND-FEET
1	215	NUT	220-300	
2	102	NUT	220-300	

* REFER TO SOPM 20-50-01 FOR TORQUE VALUES OF STANDARD FASTENERS.

Torque Table
Figure 802

57-53-25

FITS AND CLEARANCES
01.1 Page 807
Jul 01/99

ILLUSTRATED PARTS LIST

1. This section lists and illustrates replaceable or repairable component parts. The Illustrated Parts Catalog contains a complete explanation of the Boeing part numbering system.

2. Indentures show parts relationships as follows:

Assembly

Detail Parts for Assembly

Subassembly

Attaching Parts for Subassembly

Detail Parts for Subassembly

Detail Installation Parts (Included only if installation parts may be returned to shop as part of assembly)

3. One use code letter (A, B, C, etc.) is assigned in the EFF CODE column for each variation of top assembly. All listed parts are used on all top assemblies except when limitations are shown by use code letter opposite individual part entries.

4. Letter suffixes (alpha-variants) are added to item numbers for optional parts, Service Bulletin modification parts, configuration differences (except left- and right-hand parts), product improvement parts, and parts added between two sequential item numbers. The alpha-variant is not shown on illustrations when appearance and location of all variants of the part is the same.

5. Service Bulletin modifications are shown by the notations PRE SB XXXX and POST SB XXXX.

A. When a new top assembly part number is assigned by Service Bulletin, the notations appear at the top assembly level only. The configuration differences at detail part level are then shown by use code letter.

B. When the top assembly part number is not changed by the Service Bulletin, the notations appear at the detail part level.

6. Parts Interchangeability

Optional
(OPT)

The parts are optional to and interchangeable with other parts having the same item number.

Supersedes, Superseded By
(SUPSDS, SUPSD BY)

The part supersedes and is not interchangeable with the original part.

Replaces, Replaced By
(REPLS, REPLD BY)

The part replaces and is interchangeable with, or is an alternate to, the original part.

VENDORS

S0352 NIPPON MINIATURE BEARING CO LTD
TOKYO, JAPAN

OPTK6 SPS TECHNOLOGIES INC AEROSPACE PRODUCTS DIV
5195 W 4700
SALT LAKE CITY, UTAH 94118
SEE V56878 SPS TECHNOLOGIES INC

02697 PARKER-HANNIFIN CORP SEAL GROUP O-RING DIV
2360 PALUMBO DRIVE PO BOX 11751
LEXINGTON, KENTUCKY 40509
FORMERLY V17506 IN CLEVELAND, OHIO
FORMERLY PARKER SEALS V4J413

06725 AIR INDUSTRIES CORPORATION
12570 KNOTT STREET
GARDEN GROVE, CALIFORNIA 92641-3932
FORMERLY AIR INDUSTRIES OF CALIF IN GARDENA, CALIF.

06950 SCREWCORP VSI AEROSPACE PRODUCTS DIV FAIRCHILD IND DIV
13001 EAST TEMPLE AVENUE PO BOX 730
CITY OF INDUSTRY, CALIFORNIA 91746-1417
FORMERLY VB0096 AND VSI CORP SCREWCORP DIV
FORMERLY IN CULVER CITY, CALIFORNIA

07096 BURKE RUBBER CO PUROSIL DIV
1810 SOUTH SHAMROCK AVENUE PO BOX 5023
MONROVIA, CALIFORNIA 91016-4251
FORMERLY HADBAR DIV OF PUROSIL INC

07484 ACCURATE BUSHING CO INC
443 NORTH AVENUE
GARWOOD, NEW JERSEY 07027-1014
FORMERLY V83132 SMITH BRG DIV OF ACCURATE BUSHING CO

08524 DEUTSCH FASTENER CORP SEE CODE V97928

11314 HUTCHINSON SEAL CORP
11634 PATTON RD
DOWNEY, CALIFORNIA 90241
FORMERLY FEDERAL MOGUL CORP; FORMERLY AMERICAN UNITED PROD

11815 CHERRY AEROSPACE FASTENERS DIV OF TEXTRON
1224 EAST WARNER AVENUE PO BOX 2157
SANTA ANA, CALIFORNIA 92707-0157
FORMERLY IN LOS ANGELES, CALIF, FORMERLY CHERRY FASTENERS
TOWNSEND DIV OF TEXTRON INC V71087

57-53-25

ILLUSTRATED PARTS LIST
01.1 Page 1002
Nov 01/05

VENDORS

11960 KIRKHILL - TA HANKON DIV
 336 WEIR ST P. O. BOX 1091
 TAUNTON, MASSACHUSETTS 02780
 FORMERLY HERCULES INC & HAVEG & BURKE INC HASKON DIV

15653 ALOCA GLOBAL FASTEMERS INC DIV KAYNARE PRODUCTS
 800 S STATE COLLEGE BLVD
 FULLERTON, CALIFORNIA 92831-3001
 FORMERLY VK6405 MICRODOT AEROSP LTD; FORMERLY KAYNAR TECH
 FORMERLY FAIRCHILD FASTENERS KAYNAR DIV

15860 NEW HAMPSHIRE BALL BEARINGS, INC ASTRO DIVISION
 155 LEXINGTON AVENUE
 LACONIA, NEW HAMPSHIRE 03246-2937
 FORMERLY ASTRO BEARING CORP, LOS ANGELES, CALIF.

17446 HUCK INTL INC AEROSPACE FASTENER DIV
 900 WATSON CENTER ROAD
 CARSON, CALIFORNIA 90745-4201
 FORMERLY V32134 REXNORD INC; FORMERLY V97928 HUCK INTL

25099 CASCADE GASKET AND MFG CO
 8825 SOUTH 228TH STREET
 KENT, WASHINGTON 98031-2437

27238 BRISTOL INDUSTRIES
 630 EAST LAMBERT ROAD PO BOX 630
 BREA, CALIFORNIA 92621-4119

5M902 ALCOA GLOBAL FASTENERS INC, DIV OF VOI-SHAN PRODUCTS
 3000 W LOMITA BLVD
 TORRANCE, CALIFORNIA 90505-5103
 FORMERLY FAIRCHILD INC INC FAIRCHILD AEROSPACE FASTENERS DIV

50632 KAMATICS CORP SUB OF KAMAN CORP
 1335 BLUE HILLS ROAD
 BLOOMFIELD, CONNECTICUT 06002-1304

50744 KIRKHILL-TA CO/SFS DIV
 300 E CYPRESS STREET
 BREA, CALIFORNIA 92821-4007
 FORMERLY SFS IND; FORMERLY BURKE RUBBER SFS DIV

52825 HOFFMAN CAMERA CORP
 19 GRAND AVENUE
 FARMINGTON, NEW YORK 11735-6315

57-53-25

ILLUSTRATED PARTS LIST
01.1 Page 1003
 Nov 01/05

VENDORS

52828 REPUBLIC FASTENER MFG CORP
1300 RANCHO CONEJO BLVD
NEWBURY PARK, CALIFORNIA 91320-1405
FORMERLY IN SYLMAR, CALIFORNIA

56878 SPS TECHNOLOGIES INC AEROSPACE AND INDUSTRIAL PRODUCTS DIV
301 HIGHLAND AVE
JENKINTOWN, PENNSYLVANIA 19046
FORMERLY STANDARD PRESSED STEEL

57268 RAINER RUBBER CO
15660 NELSON PL SO
SEATTLE, WASHINGTON 98188

60380 TORRINGTON CO BEARINGS DIV SUBSIDIARY OF INGERSOLL-RAND CORP
59 FIELD STREET PO BOX 1008
TORRINGTON, CONNECTICUT 06790-1008
FORMERLY TORRINGTON BEARING COMPANY

60516 WEST COAST AEROSPACE INC
812 MIRAFLORES STREET
SAN PEDRO, CALIFORNIA 90731-1439

62554 SIMMONDS MECAERO FASTENERS INC
1734 SEQUOIA AVENUE
ORANGE, CALIFORNIA 92668

71087 BOOTS ACFT NUT DIV TOWNSEND CO SEE TEXTRON INC CHERRY
FASTENER TOWNSEND DIV V11815

72962 HARVARD INDUSTRIES INC
3 WERNER WAY SUITE 210
LEBANON, NEW JERSEY 08833
FORMERLY ESNA V7A079
FORMERLY ELASTIC STOP NUT IN UNION, NJ

73134 ROLLER BEARING COMPANY OF AMER DBA HEIM BEARINGS DIV
60 ROUND HILL RD
FAIRFIELD, CONNECTICUT 06430-0000
FORMERLY INCOM INTL HEIM DIV; HEIM UNIVERSAL CORP INCOM;
FORMERLY HEIM DIV INCOM INTL; IMO IND HEIM BEARINGS DIV

73197 HI-SHEAR TECHNOLOGY CORP
2600 SKYPARK DRIVE
TORRANCE, CALIFORNIA 90509

57-53-25

ILLUSTRATED PARTS LIST
01.1 Page 1004
Nov 01/05

VENDORS

75345 KIRKHILL RUBBER CO
300 EAST CYPRESS STREET
BREA, CALIFORNIA 92821-4097
FORMERLY L.A. STANDARD RUBBER CO V84914

77896 REXNORD INC BEARING OPERATION
2400 CURTIS STREET
DOWNERS GROVE, ILLINOIS 60515-4005
FORMERLY SHAEFER BEARING DIV REX CHAINBELT
FORMERLY REX CHAINBELT INC BEARING DIV.

80539 SPS TECHNOLOGIES INC DIV AERPSOACE - SANTA ANA
2701 SOUTH HARBOR BOULEVARD
SANTA ANA, CALIFORNIA 92704-5803
FORMERLY NUTT-SHEL DIV OF SPC WESTERN CO V80539
AND STANDARD PRESSED STEEL WESTERN DIV V17279

81376 SMITH ACQUISITION COMPANY
2240 BUENA VISTA
BALDWIN PARK, CALIFORNIA 91706

85495 BRILES MFG CO SEE V97928 OMARK INDUSTRIES
PRECISION FASTENING SUB OF OMARK IND INC SEE DEUTSCH
FASTENER CORP V08524
OMARK INDUSTRIES SEE PRECISION FASTENING

9N513 VOI SHAN/CHATSWORTH DIV OF VSI CORP SUB OF FAIRCHILD IND
CHATSWORTH, CALIFORNIA 91311-5013
COMPANY NO LONGER WISHES TO BE CONSIDERED FOR FED CONTRCTG

92215 FAIRCHILD IND INC FAIRCHILD AEROSPACE FASTENER DIV
3010 W LOMITA BLVD
TORRANCE, CALIFORNIA 90505-5102
FORMERLY VOI-SHAN IN CULVER CITY, CALIF

92563 MCGILL MFG CO INC BEARINGS DIV
909 LAFAYETTE STREET
VALPARAISO, INDIANA 46383-4210

95272 STILLMAN SEL CORP
6020 AVENIDA ENCINAS
CARLSBAD, CALIFORNIA 92009-1001
FORMERLY SARGENT IND

57-53-25

ILLUSTRATED PARTS LIST
01.1 Page 1005
Nov 01/05

VENDORS

97613 SARGENT CONTROLS & AEROSPACE/KAHR BEARING DIV
5675 W BURLINGAME RD
TUCSON, ARIZONA 85743
FORMERLY AETNA STEEL PROD KAHR BEARING DIV V96579
FORMERLY SARGENT IND KAHR BEARING DIV, BURBANK, CALIFORNIA

97928 SEE V17446 HUCK INTL
HUCK INTL SEE V17446 HUCK INTL
SEE V17446 HUCK INTL

57-53-25

ILLUSTRATED PARTS LIST
01.1 Page 1006
Nov 01/05

PART NUMBER	AIRLINE PART NO.	FIG.	ITEM	TTL REQ	
ADW04V301NC		1	552	1	
		1	568	1	
		1	594	1	
		1	640	2	
		2	284	1	
		2	306	1	
		2	344	1	
		2	394	2	
	ADW05V301NC		1	554	1
			1	596	1
		2	286	1	
		2	346	1	
AN960JD10		1	885P	4	
		2	812	4	
AN960JD10LL		1	302A	20	
		1	378A	21	
AN960KD10		1	885D	1	
AN960KD8L		1	702S	40	
AN960PD8L		2	498	40	
		1	702G	40	
ASRD6-30A		2	496	40	
		1	584	1	
ASRD6H30A		2	332	1	
		1	584	1	
ASR6-30		2	332	1	
		1	690	1	
AS568-117S32		2	470	1	
		1	622	4	
ATF8		2	378	4	
		1	230	2	
		2	108	2	

57-53-25

PART NUMBER	AIRLINE PART NO.	FIG.	ITEM	TTL REQ
ATF8T8		2	108A	2
A330-117		1	622	4
		2	378	4
BACB10CH6		1	584	1
		2	332	1
BACB10CK6		1	690	1
		2	470	1
BACB10ET08		1	230	2
		2	108	2
BACB10FA04GC		1	552	1
		1	568	1
		1	594	1
		1	640	2
		2	284	1
BACB10FA04GC		2	306	1
		2	344	1
		2	394	2
BACB10FA05GC		1	554	1
		1	596	1
		2	286	1
		2	346	1
BACB10HH08		2	108A	2
BACB28AK04-035		1	636	2
		2	392	2
BACB28AK05-028		1	551A	1
		2	282A	1
BACB28AK05-030		1	551	1
		2	282	1
BACB28AK05-047		1	536	1
		2	262	1
BACB28AK05-093		1	518	1
		2	242	1

57-53-25

 ILLUSTRATED PARTS LIST
 01.1 Page 1008
 Nov 01/05

PART NUMBER	AIRLINE PART NO.	FIG.	ITEM	TTL REQ
BACB28AM06B019A		1	686	2
		1	964	1
		1	991	1
		2	462	2
		2	894	1
		2	932	1
BACB28AM07B013A		1	556	1
		2	288	1
BACB28AM07B028A		1	540	1
		2	266	1
BACB28AM13B048A		1	588	1
		2	338	1
BACB28AP04P019		1	687	2
		2	464	2
BACB28AP05P013		1	558	1
		2	290	1
BACB28AP05P028		1	538	1
BACB28AP05P028		2	264	1
BACB28AP08P062		1	752	2
		2	566	2
BACB28AP09P041		1	592	1
		2	342	1
BACB30JC8A40		1	604A	2
BACB30JC8A44		1	606A	2
BACB30LE4U16		1	628	2
		2	384	2
BACB30LE5U17		1	547	1
		2	274	1
BACB30LE5U20		1	510	1
		2	234	1
BACB30LE5U22		1	528	1
		2	254	1
BACB30LR3-14		1	580	1
		2	322	1
BACB30LR3P3		1	583	4
		2	328	4
BACB30MB8A12		1	602A	4
		2	354A	4
BACB30MR4K17		1	460	4
		2	210	4

57-53-25

PART NUMBER	AIRLINE PART NO.	FIG.	ITEM	TTL REQ
BACB30MY10K6		1	564	1
		2	298	1
BACB30MY6K3		1	716	8
		1	733	1
		1	856A	3
		2	518	8
		2	546	1
		2	752	3
BACB30MY6K4		1	718	1
		2	520	1
BACB30MY6K7		1	714	1
		2	516	1
BACB30MY8K6		1	566	1
		2	302	1
BACB30NN3K4		1	646	9
		2	402	9
BACB30NN3K5		1	298	14
		1	300	20
		2	118	14
		2	120	20
		2	482A	33
		1	648	10
BACB30NN3K6		1	885B	1
		1	885K	4
BACB30NN3K6		2	406	10
		2	810	4
		1	20	17
		1	21	18
		1	115	21
		1	245	99
		1	295	26
		1	335	123
		1	375	22
		1	376	18
		1	376L	13
		1	376S	1
		1	410	155
		1	696	33
BACB30NN3K7		2	12	18
		2	58	21
		2	114	99
		2	152	123
		2	160	18
		2	162	13
		2	164	1
		2	202	155

57-53-25

 ILLUSTRATED PARTS LIST
 01.1 Page 1010
 Nov 01/05

PART NUMBER	AIRLINE PART NO.	FIG.	ITEM	TTL REQ
BACB30NN3K9		1	692A	2
		2	472	2
BACB30NN4K9		1	869	4
		2	770	4
BACB30NT3K4		1	662A	1
		2	418	1
BACB30NW5K		1	577	4
		2	314	4
BACB30NW6K3		1	732	4
		1	922	6
		1	934	8
		2	544	4
		2	870	9
		1	950	6
BACB30NW6K4		1	958	9
		1	972	9
		1	987	9
		2	880	6
		2	890	9
		2	908	9
		2	928	9
		1	826	4
		1	882	7
BACB30NW6K5		1	886	6
		1	900	4
		1	904	8
		2	678	4
		2	834	8
		1	731	8
		1	825	8
		1	883	3
		1	887	2
		1	887G	6
BACB30NW6K6		1	901	6
		1	917	12
		2	542	8
		2	676	8
		2	816	6
		2	864	12

57-53-25

PART NUMBER	AIRLINE PART NO.	FIG.	ITEM	TTL REQ
BACB30NX8K12		1	602	4
		2	354	4
BACB30NY8K37		1	492	2
		2	224	2
BACB30NY8K40		1	490	2
		1	604	2
		2	222	2
BACB30NY8K44		1	606	2
		1	301A	20
BACB30VF3K4		1	377A	21
		2	122	20
BACC30M10		2	166	21
		1	565	1
BACC30M5		2	300	1
		1	578	4
BACC30M6		2	316	4
		1	720	10
BACC30M6		1	734	13
		1	827	12
		1	884	10
		1	888A	8
		1	888G	6
		1	902	10
		1	905	8
		1	918	12
		1	924	6
		1	936	8
		1	952	6
		1	960	9
		1	974	9
		1	988	9
		2	522	10
		2	548	13
		2	680	8
		2	818	6
		2	836	8
		2	866	12
2	872	9		
2	882	6		
2	892	9		
2	910	9		
2	930	9		

57-53-25

 ILLUSTRATED PARTS LIST
 01.1 Page 1012
 Nov 01/05

PART NUMBER	AIRLINE PART NO.	FIG.	ITEM	TTL REQ
BACC30M8		1	567	1
		2	304	1
BACC30X8		1	495	4
		1	607	4
		1	608	4
		2	226	4
		2	360	4
BACF3T01G10-14B		1	750	2
		2	558	2
BACI12AD4A13N		2	782A	8
BACN10FY32		1	873G	7
		2	788	7
BACN10FY34		1	873D	7
		1	875N	1
BACN10HR4CS		2	786	7
		1	634	2
BACN10HR5CS		2	390	2
		1	516	1
BACN10JC3		1	534	1
		1	550	1
		2	240	1
		2	260	1
		2	280	1
		1	581	1
BACN10JC8CM		1	693	2
		1	885C	1
		2	324	1
		2	474	2
		1	215A	4
BACN10JN3		2	102	4
		1	873K	6
BACN10JQ32		2	790	6
		1	650	19
		2	410	19

57-53-25

PART NUMBER	AIRLINE PART NO.	FIG.	ITEM	TTL REQ
BACN10JQ36		1	662B	1
		2	426	1
BACN10JR3F		1	841U	4
		2	738	2
BACN10KE3B2		1	698	9
		1	742	16
		1	907A	8
		2	488	9
		2	560	16
BACN10KE3B3		2	842	8
		1	700	20
		1	836	3
		1	841B	16
		1	841Q	4
		2	492	20
		2	700	2
		2	730	8
		2	736	2
		1	50	5
BACN10KE3B4		1	55	6
		1	57	5
		1	145	8
		1	150	9
		1	744	20
		1	792	8
		1	802A	8
		1	834A	12
		1	835	1
		1	878	2
		1	890	6
		1	896	4
		1	907	8
		1	912	2
		2	24	5
		2	26	5
		2	72	8
2	74	9		
2	562	20		
2	614	8		
2	626	8		
2	696	12		

57-53-25

 ILLUSTRATED PARTS LIST
 01.1 Page 1014
 Nov 01/05

PART NUMBER	AIRLINE PART NO.	FIG.	ITEM	TTL REQ
BACN10KE3B4		2	698	1
		2	824	6
		2	856	2
BACN10KE3B5		1	800A	24
		1	841A	16
		1	864	1
		1	872	161
		2	622	24
		2	728	8
		2	764	1
		2	778	160
		1	862	3
BACN10KE3B6		2	762	3
BACN10KE3E2		1	697	2
		1	906A	2
		2	486	2
		2	840	2
BACN10KE3E3		1	699	2
		1	840B	4
		2	490	2
		2	726	2
		1	40	4
BACN10KE3E4		1	45	2
		1	47	2
		1	58	2
		1	135	2
		1	140	2
		1	746	4
		1	833A	20
		1	858	1
		1	877	2
		1	889	2
		1	895	2
		1	906	2
		2	20	4
		2	22	2
		2	28	2
		2	68	2
		2	70	2
	2	564	4	
	2	694	20	
	2	758	1	
	2	822	2	

57-53-25

PART NUMBER	AIRLINE PART NO.	FIG.	ITEM	TTL REQ
BACN10KE3E5		1	794A	10
		1	796A	10
BACN10KE3E5		1	798A	12
		1	840A	4
		1	872D	48
		2	616	10
		2	618	10
		2	620	12
		2	724	2
		2	780	96
BACN10KE3E6		1	860	4
		2	760	4
BACN10KE4B6		2	942A	2
BACN10KE4D		1	938	2
		1	978	2
		2	914	2
BACN10YF33		1	841L	4
		2	734	2
BACN10YF34		2	800A	1
BACN10YF35		1	841G	4
		2	732	2
BACN10YR3CD		1	303A	20
		2	126	20
		2	814A	4
BACP11J117		1	622	4
		2	378	4
BACR15BA3AD		1	60	34
		1	61	18
		1	62	4
		1	65	14
		1	155	42
		1	652	38
		1	662C	2
		1	748	80
		1	804	144
		1	837	72
		1	842	40
		1	842G	56
		1	866	18
		1	872H	418
		1	873A	40
		1	875K	2
		1	879	8
		1	891	16
		1	897	12
		1	908	20
		1	913	4

57-53-25

 ILLUSTRATED PARTS LIST
 01.1 Page 1016
 Nov 01/05

PART NUMBER	AIRLINE PART NO.	FIG.	ITEM	TTL REQ
BACR15BA3AD		1	940	4
		1	980	4
		2	30	18
		2	32	4
		2	34	14
		2	66	42
		2	408	38
		2	424	2
		2	556	80
		2	624	144
		2	692	72
		2	722	56
		2	756	18
		2	776	512
		2	784	40
		2	798	2
		2	820	16
		2	838	20
		2	854	4
		2	912	4
	2	941	4	
BACR15BA5AD		1	654	40
		2	412	40
BACR15BA6AD		1	656	14
		2	414	14
BACR15CE3AD		1	701	66
		2	484	66
BACR15CE5AD		1	702	46
		2	494	46
BACR15CE5KE		1	397	4
		1	662	8
		1	928	36
		2	196	4
		2	420	8
		2	876	36

57-53-25

PART NUMBER	AIRLINE PART NO.	FIG.	ITEM	TTL REQ
BACR15CE6KE		1	395	2
		1	828	4
		1	875A	2
		1	876G	6
		1	894	9
		1	911	2
		2	682	4
		2	792	2
		2	852	2
		1	829A	12
		2	684	12
BACR15FT6AD		2	684	12
BACR15FT6AD		2	684	12
BACR15FT6KE		1	790	24
		2	610	24
BACS40R008B025F		2	690A	4
BACS40R009B009F		2	208A	1
BACS40R009B011F		2	116A	2
		2	612A	8
BACS40R009B015F		2	686A	4
BACS40R009B018F		2	204A	1
		2	688A	4
BACS40R009B025F		2	554A	2
		2	754A	1
BACS40R011D037F		2	220A	1
BACS40R012D033F		2	218A	1
BACS40R018B020F		2	552A	2
BACS40R018C020F		2	550A	2
BACS40R020D023F		2	366A	1
BACS40R022D034F		2	228A	1
BACS40R023D023F		2	368A	1
BACS40R08B25F		1	832	4
		2	690	4

57-53-25

 ILLUSTRATED PARTS LIST
 01.1 Page 1018
 Nov 01/05

PART NUMBER	AIRLINE PART NO.	FIG.	ITEM	TTL REQ
BACS4OR08C28F		1	954	1
		2	884	1
BACS4OR09B09F		1	445	1
		2	208	1
BACS4OR09B11F		1	270	2
		1	360	6
		1	440	6
		1	791	8
		2	116	4
		2	154A	6
		2	206A	6
BACS4OR09B13F		2	612	8
		1	430A	1
		1	830	4
		2	686	4
BACS4OR09B15F		1	430	1
		1	831	4
BACS4OR09B18F		2	204	1
		2	688	4
		1	737	2
		1	857	1
BACS4OR09B25F		2	554	2
		2	754	1
		1	485	1
BACS4OR11D37F		2	220	1
		1	480	1
BACS4OR12D33F		2	218	1
		1	736	2
BACS4OR18B20F		2	552	2
		1	967	2
BACS4OR18B32F		2	903	2
		1	994	2
BACS4OR18B33F		2	940	2
		1	735	2
BACS4OR18C20F		2	550	2
		1	985	1
BACS4OR18C38F		2	922	1
		1	610	1
BACS4OR20D23F		2	366	1
		1	497	1
BACS4OR22D34F		2	228	1
		1	612	1
BACS4OR23D23F		2	368	1
		1	630	2
BACW10BP4ACU		2	386	2
		1	465	4
BACW10BP4CD		2	212	4

57-53-25

PART NUMBER	AIRLINE PART NO.	FIG.	ITEM	TTL REQ
BACW10BP4DP		1	470	4
		1	632	2
		2	214	4
		2	388	2
BACW10BP5APU		1	514	1
		1	530	1
		1	549	1
		2	238	1
		2	256	1
		2	278	1
BACW10BP5CD		1	512	1
		1	532	1
		1	548	1
		2	236	1
		2	258	1
		2	276	1
BACW10BP8DP		1	210	4
		2	100	4
BH00303-4		1	634	2
		2	390	2
BH00303-5		1	516	1
		1	534	1
BH00303-5		1	550	1
		2	240	1
		2	260	1
		2	280	1
		1	634	2
		2	390	2
BH003034		1	516	1
		1	534	1
		1	550	1
		2	240	1
		2	260	1
		2	280	1
BMN10HRCPD3-4		1	634	2
		2	390	2
BMN10HRRCPD3-5		1	516	1
		1	534	1
		1	550	1
		2	240	1
		2	260	1
		2	280	1

57-53-25

 ILLUSTRATED PARTS LIST
 01.1 Page 1020
 Nov 01/05

PART NUMBER	AIRLINE PART NO.	FIG.	ITEM	TTL REQ
BMN4122C1D2-8		1	215A	4
		2	102	4
BMN5024CPD3-5		1	516	1
		1	534	1
		1	550	1
		2	240	1
		2	260	1
		2	280	1
		2	280	1
BMN5024CPD34		1	634	2
		2	390	2
BMN5024CPD35		1	516	1
		1	534	1
		1	550	1
		2	240	1
		2	260	1
		2	280	1
		2	280	1
BMN5024CPD5		1	516	1
		1	534	1
		1	550	1
		1	550	1
BRFM20A3		1	873K	6
		2	790	6
BRFR120A3-2		1	697	2
		1	906A	2
		2	486	2
		2	840	2
		2	840	2
BRFR120A3-3		1	699	2
		1	840B	4
		2	490	2
		2	490	2
		2	726	2

57-53-25

PART NUMBER	AIRLINE PART NO.	FIG.	ITEM	TTL REQ	
BRFR120A3-4		1	40	4	
		1	45	2	
		1	47	2	
		1	58	2	
		1	135	2	
		1	140	2	
		1	746	4	
		1	833A	20	
		1	858	1	
		1	877	2	
		1	889	2	
		1	895	2	
		1	906	2	
		2	20	4	
		2	22	2	
		2	28	2	
		2	68	2	
		2	70	2	
		2	564	4	
		2	694	20	
		2	758	1	
		2	822	2	
	BRFR120A3-5		1	794A	10
			1	796A	10
		1	798A	12	
		1	840A	4	
		1	872D	48	
		2	616	10	
		2	618	10	
		2	620	12	
	2	724	2		
	2	780	96		

57-53-25

 ILLUSTRATED PARTS LIST
 01.1 Page 1022
 Nov 01/05

PART NUMBER	AIRLINE PART NO.	FIG.	ITEM	TTL REQ
BRFR120A3-6		1	860	4
		2	760	4
BRFR220A3-2		1	698	9
		1	742	16
BRFR220A3-2		1	907A	8
		2	488	9
		2	560	16
		2	842	8
BRFR220A3-3		1	700	20
		1	836	3
		1	841B	16
		1	841Q	4
		2	492	20
		2	700	2
		2	730	8
		2	736	2
BRFR220A3-4		1	50	5
		1	55	6
		1	57	5
		1	145	8
		1	150	9
		1	744	20
		1	792	8
		1	802A	8
		1	834A	12
		1	835	1
		1	878	2
		1	890	6
		1	896	4
		1	907	8
		1	912	2
		2	24	5
		2	26	5
		2	72	8
		2	74	9
		2	562	20
		2	614	8
		2	626	8
		2	696	12
		2	698	1
		2	824	6
		2	856	2

57-53-25

PART NUMBER	AIRLINE PART NO.	FIG.	ITEM	TTL REQ
BRFR220A3-5		1	800A	24
		1	841A	16
		1	864	1
		1	872	161
		2	622	24
		2	728	8
BRFR220A3-5		2	764	1
		2	778	160
		1	862	3
BRFR220A3-6		2	762	3
		2	942A	2
BRFR220A4-6		1	841U	4
		2	738	2
BRF200A3		1	581	1
		1	693	2
		1	885C	1
BRH10A3		2	324	1
		2	474	2
		1	732	4
		1	922	6
		1	934	8
B30NW6K3		2	544	4
		2	870	9
		1	950	6
		1	958	9
		1	972	9
B30NW6K4		1	987	9
		2	880	6
		2	890	9
		2	908	9
		2	928	9
		2	928	9

57-53-25

ILLUSTRATED PARTS LIST
 01.1 Page 1024
 Nov 01/05

PART NUMBER	AIRLINE PART NO.	FIG.	ITEM	TTL REQ	
B30NW6K5		1	826	4	
		1	882	7	
		1	886	6	
		1	900	4	
		1	904	8	
		2	678	4	
		2	834	8	
	B30NW6K6		1	731	8
			1	825	8
			1	883	3
		1	887	2	
		1	887G	6	
		1	901	6	
		1	917	12	
		2	542	8	
		2	676	8	
		2	816	6	
		2	864	12	
CG3824			1	25K	2
CR1XBC189		1	220B	2	
CR1XBC189		2	104B	2	
CR59084		2	390	2	
CR59085		1	516	1	
		1	534	1	
		1	550	1	
		2	240	1	
		2	260	1	
		2	280	1	
DAS6-25C1-502		1	584	1	
		2	332	1	
DAS6-25C4		1	584	1	
		2	332	1	
DAS6-25C51		1	584	1	
		2	332	1	
F5000-3BAC		1	841U	4	
		2	738	2	
F51750-3-2		1	698	9	
		1	742	16	
		1	907A	8	
		2	488	9	
		2	560	16	
		2	842	8	

57-53-25

PART NUMBER	AIRLINE PART NO.	FIG.	ITEM	TTL REQ
F51750-3-3		1	700	20
		1	836	3
		1	841B	16
		1	841Q	4
		2	492	20
		2	700	2
		2	730	8
		2	736	2
F51750-3-4		1	50	5
		1	55	6
		1	57	5
		1	145	8
		1	150	9
		1	744	20
		1	792	8
		1	802A	8
		1	834A	12
		1	835	1
		1	878	2
		1	890	6
		1	896	4
F51750-3-4		1	907	8
		1	912	2
		2	24	5
		2	26	5
		2	72	8
		2	74	9
		2	562	20
		2	614	8
		2	626	8
		2	696	12
		2	698	1
		2	824	6
		2	856	2
F51750-3-5		1	800A	24
		1	841A	16
		1	864	1
		1	872	161
		2	622	24
		2	728	8
		2	764	1
		2	778	160

57-53-25

ILLUSTRATED PARTS LIST
 01.1 Page 1026
 Nov 01/05

PART NUMBER	AIRLINE PART NO.	FIG.	ITEM	TTL REQ
F51750-3-6		1	862	3
		2	762	3
F51750-4-6		2	942A	2
F51752-3-2		1	697	2
		1	906A	2
		2	486	2
		2	840	2
		1	699	2
		1	840B	4
F51752-3-3		2	490	2
F51752-3-4		2	726	2
		1	40	4
		1	45	2
		1	47	2
		1	58	2
		1	135	2
		1	140	2
		1	746	4
		1	833A	20
		1	858	1
		1	877	2
		1	889	2
		1	895	2
		1	906	2
F51752-3-4		2	20	4
		2	22	2
		2	28	2
		2	68	2
		2	70	2
		2	564	4
		2	694	20
		2	758	1
		2	822	2

57-53-25

PART NUMBER	AIRLINE PART NO.	FIG.	ITEM	TTL REQ	
F51752-3-5		1	794A	10	
		1	796A	10	
		1	798A	12	
		1	840A	4	
		1	872D	48	
		2	616	10	
		2	618	10	
		2	620	12	
		2	724	2	
		2	780	96	
	F51752-3-6		1	860	4
			2	760	4
	F51754-4		1	938	2
		1	978	2	
		2	914	2	
HL1012AZ8-12		1	602	4	
		2	354	4	
HL11VAZ6-3		1	732	4	
		1	922	6	
		1	934	8	
		2	544	4	
		2	870	9	
HL11VAZ6-4		1	950	6	
		1	958	9	
		1	972	9	
		1	987	9	
		2	880	6	
		2	890	9	
		2	908	9	
		2	928	9	
HL11VAZ6-5		1	826	4	
		1	882	7	
		1	886	6	
		1	900	4	
		1	904	8	
		2	678	4	
		2	834	8	

57-53-25

 ILLUSTRATED PARTS LIST
 01.1 Page 1028
 Nov 01/05

PART NUMBER	AIRLINE PART NO.	FIG.	ITEM	TTL REQ	
HL11VAZ6-6		1	731	8	
		1	825	8	
		1	883	3	
		1	887	2	
		1	887G	6	
		1	901	6	
		1	917	12	
		2	542	8	
		2	676	8	
		2	816	6	
		2	864	12	
	HL11V6-4		1	950	6
			1	958	9
			1	972	9
		1	987	9	
		2	880	6	
		2	890	9	
		2	908	9	
		2	928	9	
HL11V6-5		1	826	4	
		1	882	7	
		1	886	6	
		1	900	4	
		1	904	8	
		2	678	4	
HL1187-8		2	834	8	
		1	495	4	
		1	607	4	
		1	608	4	
		2	226	4	
		2	360	4	

57-53-25

PART NUMBER	AIRLINE PART NO.	FIG.	ITEM	TTL REQ
HL12VAZ8-12		1	602	4
		2	354	4
HL13VAZ8-37		1	492	2
		2	224	2
HL13VAZ8-40		1	490	2
		1	604	2
		2	222	2
HL13VAZ8-44		1	606	2
HL13V37		1	492	2
		2	224	2
HL13V40		1	490	2
		1	604	2
		2	222	2
HL13V44		1	606	2
HL448UC8-12		1	602A	4
		2	354A	4
HL449UC8-40		1	604A	2
HL449UC8-44		1	606A	2
HL70-5		1	578	4
		2	316	4
HL79-10		1	565	1
		2	300	1
HL79-6		1	720	10
		1	734	13
		1	827	12
		1	884	10
		1	888A	8
		1	888G	6
		1	902	10
		1	905	8
		1	918	12
		1	924	6
		1	936	8
		1	952	6
		1	960	9
		1	974	9
		1	988	9
		2	522	10
		2	548	13
		2	680	8

57-53-25

 ILLUSTRATED PARTS LIST
 01.1 Page 1030
 Nov 01/05

PART NUMBER	AIRLINE PART NO.	FIG.	ITEM	TTL REQ	
HL79-6		2	818	6	
		2	836	8	
		2	866	12	
		2	872	9	
		2	882	6	
		2	892	9	
		2	910	9	
		2	930	9	
	HL79-8		1	567	1
			2	304	1
HL87-8		1	495	4	
		1	607	4	
		1	608	4	
		2	226	4	
		2	360	4	
H01-8BAC		1	215A	4	
		2	102	4	
H10-3BAC		1	581	1	
		1	693	2	
		1	885C	1	
		2	324	1	
		2	474	2	
H39953		2	240	1	
		2	260	1	
		2	280	1	
	H39953-4		1	634	2
			2	390	2
H39953-5		2	240	1	
		2	260	1	
		2	280	1	
	H52732-3CD		1	303A	20
			2	126	20
		2	814A	4	

57-53-25

PART NUMBER	AIRLINE PART NO.	FIG.	ITEM	TTL REQ
KSC152200BZ04GC		1	552	1
		1	568	1
		1	594	1
		1	640	2
		2	284	1
		2	306	1
		2	344	1
		2	394	2
KSC152200BZ05GC		1	554	1
		1	596	1
		2	286	1
		2	346	1
KWDB04-35		1	552	1
		1	568	1
		1	594	1
		1	640	2
KWDB04-35		2	284	1
		2	306	1
		2	344	1
		2	394	2
KWDB05-35		1	554	1
		1	596	1
		2	286	1
		2	346	1
L801-8K37		1	492	2
		2	224	2
L801-8K40		1	490	2
		1	604	2
L801-8K44		2	222	2
		1	606	2
L802-8K12		1	602	4
		2	354	4
L803-6-4		1	950	6
		1	958	9
		1	972	9
		1	987	9
		2	880	6
		2	890	9
		2	908	9
		2	928	9

57-53-25

 ILLUSTRATED PARTS LIST
 01.1 Page 1032
 Nov 01/05

PART NUMBER	AIRLINE PART NO.	FIG.	ITEM	TTL REQ	
L803-6-5		1	826	4	
		1	882	7	
		1	886	6	
		1	900	4	
		1	904	8	
		2	678	4	
		2	834	8	
	L803-6K3		1	732	4
			1	922	6
			1	934	8
		2	544	4	
		2	870	9	
L803-6K6			1	731	8
		1	825	8	
		1	883	3	
		1	887	2	
		1	887G	6	
		1	901	6	
		1	917	12	
	L803-6K6		2	542	8
		2	676	8	
		2	816	6	
		2	864	12	
MF1000-3BAC			1	873K	6
		2	790	6	
MF19058-3-3BAC		1	841L	4	
		2	734	2	
MF19058-3-4BAC		2	800A	1	
MF19058-3-5BAC		1	841G	4	
		2	732	2	
MF53049-3		1	873K	6	
		2	790	6	
MS15001-1		1	197	2	
		1	598	1	
		1	688	1	
		2	92	2	
		2	466	1	

57-53-25

PART NUMBER	AIRLINE PART NO.	FIG.	ITEM	TTL REQ
MS15001-3		1	598A	1
		2	348	1
MS21042L3		1	885T	4
		2	169	21
		2	814	4
MS27253F3		1	997A	1
		2	946A	1
NAS1149D0316J		2	124A	20
		2	168B	21
NAS1149D0363J		2	812A	4
		1	608K	4
NAS1149D0432J		2	362	4
		1	647	34
NAS1399MW6-4		2	404	34
		1	298A	14
NAS1739-6E5		1	376M	13
NAS1739-6E6		1	475	4
NAS1805-4		2	216	4
		1	609	4
NAS1805-4L		2	364	4
		1	872M	8
NAS1836A4N13		2	782	8
		1	698	9
NS103191-02-2		1	742	16
		1	907A	8
NS103191-02-2		2	488	9
		2	560	16
NS103191-02-2		2	842	8
		1	700	20
NS103191-02-3		1	836	3
		1	841B	16
NS103191-02-3		1	841Q	4
		2	492	20
NS103191-02-3		2	700	2
		2	730	8
NS103191-02-3		2	736	2

57-53-25

 ILLUSTRATED PARTS LIST
 01.1 Page 1034
 Nov 01/05

PART NUMBER	AIRLINE PART NO.	FIG.	ITEM	TTL REQ	
NS103191-02-4		1	50	5	
		1	55	6	
		1	57	5	
		1	145	8	
		1	150	9	
		1	744	20	
		1	792	8	
		1	802A	8	
		1	834A	12	
		1	835	1	
		1	878	2	
		1	890	6	
		1	896	4	
		1	907	8	
		1	912	2	
		2	24	5	
		2	26	5	
		2	72	8	
		2	74	9	
		2	562	20	
		2	614	8	
		2	626	8	
		2	696	12	
		2	698	1	
		2	824	6	
		2	856	2	
	NS103191-02-5		1	800A	24
			1	841A	16
			1	864	1
			1	872	161
			2	622	24
			2	728	8
			2	764	1
NS103191-02-5		2	778	160	
NS103191-02-6		1	862	3	
		2	762	3	
NS103191-048-6		2	942A	2	
NS103193-048		1	938	2	
		1	978	2	
		2	914	2	

57-53-25

PART NUMBER	AIRLINE PART NO.	FIG.	ITEM	TTL REQ
NS103194-02-2		1	697	2
		1	906A	2
		2	486	2
		2	840	2
NS103194-02-3		1	699	2
		1	840B	4
		2	490	2
NS103194-02-4		2	726	2
		1	40	4
		1	45	2
		1	47	2
		1	58	2
		1	135	2
		1	140	2
		1	746	4
		1	833A	20
		1	858	1
		1	877	2
		1	889	2
		1	895	2
		1	906	2
		2	20	4
		2	22	2
		2	28	2
		2	68	2
		2	70	2
		2	564	4
2	694	20		
2	758	1		
2	822	2		
NS103194-02-5		1	794A	10
		1	796A	10
		1	798A	12
		1	840A	4
		1	872D	48
		2	616	10
		2	618	10
		2	620	12

57-53-25

 ILLUSTRATED PARTS LIST
 01.1 Page 1036
 Nov 01/05

PART NUMBER	AIRLINE PART NO.	FIG.	ITEM	TTL REQ
NS103194-02-5		2	724	2
		2	780	96
NS103194-02-6		1	860	4
		2	760	4
NS103203-02		1	841U	4
		2	738	2
NS103218-02		1	873K	6
		2	790	6
NS202101-02		1	581	1
		1	693	2
		1	885C	1
		2	324	1
PLH53CD		2	474	2
		1	303A	20
		2	126	20
		2	814A	4
RMF9201-3		1	841U	4
		2	738	2
RMF9201M3		1	873K	6
		2	790	6
RMF9213-2-3		1	698	9
		1	742	16
		1	907A	8
		2	488	9
		2	560	16
		2	842	8
RMF9213-3-3		1	700	20
		1	836	3
		1	841B	16
		1	841Q	4
		2	492	20
		2	700	2
		2	730	8
		2	736	2

57-53-25

PART NUMBER	AIRLINE PART NO.	FIG.	ITEM	TTL REQ	
RMF9213-4-3		1	50	5	
		1	55	6	
		1	57	5	
		1	145	8	
		1	150	9	
		1	744	20	
		1	792	8	
		1	802A	8	
		1	834A	12	
		1	835	1	
		1	878	2	
	RMF9213-4-3		1	890	6
			1	896	4
		1	907	8	
		1	912	2	
		2	24	5	
		2	26	5	
		2	72	8	
		2	74	9	
		2	562	20	
		2	614	8	
		2	626	8	
		2	696	12	
		2	698	1	
RMF9213-5-3		2	824	6	
		2	856	2	
		1	800A	24	
		1	841A	16	
		1	864	1	
		1	872	161	
		2	622	24	
		2	728	8	
		2	764	1	
	2	778	160		

57-53-25

ILLUSTRATED PARTS LIST
 01.1 Page 1038
 Nov 01/05

PART NUMBER	AIRLINE PART NO.	FIG.	ITEM	TTL REQ
RMF9213-6-3		1	862	3
		2	762	3
RMF9213-6-4		2	942A	2
RMF9216-2-3		1	697	2
		1	906A	2
		2	486	2
		2	840	2
		1	699	2
		1	840B	4
RMF9216-3-3		2	490	2
		2	726	2
RMF9216-4-3		1	40	4
		1	45	2
		1	47	2
		1	58	2
		1	135	2
		1	140	2
		1	746	4
		1	833A	20
		1	858	1
		1	877	2
		1	889	2
RMF9216-4-3		1	895	2
		1	906	2
		2	20	4
		2	22	2
		2	28	2
		2	68	2
		2	70	2
		2	564	4
		2	694	20
		2	758	1
		2	822	2
RMF9216-5-3		1	794A	10
		1	796A	10
		1	798A	12
		1	840A	4
		1	872D	48
		2	616	10
		2	618	10
		2	620	12
		2	724	2
		2	780	96

57-53-25

PART NUMBER	AIRLINE PART NO.	FIG.	ITEM	TTL REQ
RMF9216-6-3		1	860	4
		2	760	4
RMLH9075-3W		1	581	1
		1	693	2
		1	885C	1
		2	324	1
		2	474	2
R1131-117		1	622	4
		2	378	4
SA6-23A4		1	690	1
		2	470	1
SF15-103-780		1	387B	1
		2	184	1
SF15-103-787		1	308B	1
		2	136	1
SF15-103-788		1	309B	1
		2	138	1
SF15-103-789		1	310A	1
		2	140A	1
SF15-103-790		1	311B	1
		2	142	1
SL705094		1	634	2
		2	390	2
SL705095		2	240	1
		2	260	1
		2	280	1
		2	280	1
SL7059C428		1	634	2
		2	390	2
SWKRS04-350SC		1	552	1
		1	568	1
		1	594	1
		1	640	2
		2	284	1
		2	306	1
		2	344	1
		2	394	2

57-53-25

 ILLUSTRATED PARTS LIST
 01.1 Page 1040
 Nov 01/05

PART NUMBER	AIRLINE PART NO.	FIG.	ITEM	TTL REQ
SWKRS05-350SC		1	554	1
		1	596	1
		2	286	1
S13117-780		2	346	1
		1	387B	1
		2	184	1
S424-7-2-117		1	622	4
		2	378	4
S7E183-117		1	622	4
		2	378	4
T6S1032J		1	581	1
		1	693	2
		1	885C	1
		2	324	1
		2	474	2
T8091S1032		1	841U	4
		2	738	2
T8124S3S		2	790	6
VN152A1-02		1	841U	4
		2	738	2
VN252A02		1	873K	6
		2	790	6
VN303A02		1	581	1
		1	693	2
		1	885C	1
		2	324	1
		2	474	2
WC4488-12		1	602A	4
		2	354A	4
WES04FAGC		1	552	1
		1	568	1
WES04FAGC		1	594	1
		1	640	2
		2	284	1
		2	306	1
		2	344	1
		2	394	2

57-53-25

PART NUMBER	AIRLINE PART NO.	FIG.	ITEM	TTL REQ
WES05FAGC		1	554	1
		1	596	1
		2	286	1
WHTFA04VC		2	346	1
		1	552	1
		1	568	1
WHTFA05VC		1	594	1
		1	640	2
		2	284	1
		2	306	1
		2	344	1
		2	394	2
		1	554	1
YAF08B		1	596	1
		2	286	1
		2	346	1
YAF08XD		1	230	2
		2	108	2
015T1415-183		2	108A	2
015T1415-184		1	870E	1
015T1415-185		1	871E	1
015T1415-186		1	870F	1
015T1415-69		1	871F	1
015T1415-70		1	1G	RF
015T1415-79		1	5G	RF
015T1415-80		1	1H	RF
015T1415-81		1	5H	RF
015T1415-82		1	1J	RF
015T1415-83		1	5J	RF
015T1415-84		1	1K	RF
015T1415-85		1	5K	RF
015T1415-86		1	1L	RF
		1	5L	RF

57-53-25

 ILLUSTRATED PARTS LIST
 01.1 Page 1042
 Nov 01/05

PART NUMBER	AIRLINE PART NO.	FIG.	ITEM	TTL REQ
015T1415-93		1	1M	RF
015T1415-94		1	5M	RF
015T1415-95		1	1N	RF
015T1415-96		1	5N	RF
10-60754-322		1	25K	2
10-60754-777		1	384A	1
10-60754-777		2	178	1
10-60754-778		1	385A	1
		2	180	1
10-60754-779		1	386B	1
		2	182	1
10-60754-780		1	387B	1
		2	184	1
10-60754-787		1	308B	1
		2	136	1
10-60754-788		1	309B	1
		2	138	1
10-60754-789		1	310A	1
		2	140A	1
10-60754-790		1	311B	1
		2	142	1
109LH9031-4		1	634	2
		2	390	2
109LH90314		1	634	2
		2	390	2
109LH90315		1	516	1
		1	534	1
		1	550	1
		2	240	1
		2	260	1
		2	280	1
109LH9074-8		1	215A	4
		2	102	4
113T2104-10		1	520	1
		2	244	1
113T2104-11		1	522	1
		2	246	1
113T2104-12		1	754	2
		2	568	2
113T2104-14		1	590	1
		2	340	1
113T2104-15		1	585	1
		2	334	1

57-53-25

ILLUSTRATED PARTS LIST
01.1 Page 1043
Nov 01/05

PART NUMBER	AIRLINE PART NO.	FIG.	ITEM	TTL REQ
113T2104-16		1	586	1
		2	336	1
113T2104-18		1	966	1
		1	992	1
		2	896	1
		2	934	1
113T2105-1		1	691	1
		2	476	1
113T2105-2		1	582	1
		2	330	1
113T2105-3		1	579	1
		2	326	1
113T2106-15		1	205A	4
		2	98	4
113T2106-2		1	215	4
113T2106-4		1	205	4
113T2108-3		1	195	2
		2	90	2
113T2108-4		1	199	2
		2	94	2
113T2108-8		1	606B	2
		2	358	2
113T2108-9		1	604B	2
		2	356	2
113T2203-1		1	105	1
		2	54	1
113T2203-11		1	130	1
		2	64	1
113T2203-12		1	170	1
		2	78	1
113T2203-13		1	180	1
		2	82	1
113T2203-14		1	180A	1
		2	84	1
113T2203-15		1	95	1

57-53-25

 ILLUSTRATED PARTS LIST
 01.1 Page 1044
 Nov 01/05

PART NUMBER	AIRLINE PART NO.	FIG.	ITEM	TTL REQ
113T2203-16		1	100	1
113T2203-17		1	80	1
113T2203-18		1	81	1
113T2203-19		1	85	1
113T2203-2		1	110	1
		2	56	1
113T2203-20		1	90	1
113T2203-21		1	30	1
113T2203-22		1	70	1
113T2203-23		1	35	1
113T2203-24		1	75	1
113T2203-25		1	120	2
		2	60	2
113T2203-27		1	10A	1
113T2203-28		1	15A	1
113T2203-29		1	80B	1
		2	42	1
113T2203-3		1	10	1
113T2203-30		1	81A	1
		2	44	1
113T2203-33		1	30A	1
		2	14	1
113T2203-34		1	70A	1
		2	36	1
113T2203-37		1	100A	1
113T2203-4		1	15	1
113T2203-43		1	87	1
		2	46	1
113T2203-44		1	93	1
		2	48	1
113T2203-45		1	38	1
		2	18	1
113T2203-46		1	78	1
		2	40	1

57-53-25

PART NUMBER	AIRLINE PART NO.	FIG.	ITEM	TTL REQ
113T2203-48		1	37	1
		2	16	1
113T2203-49		1	77	1
		2	38	1
113T2203-5		1	185	1
		2	86	1
113T2203-51		1	10C	1
		2	8	1
113T2203-52		1	15C	1
		2	10	1
113T2203-53		1	95A	1
		2	50	1
113T2203-54		1	100B	1
		2	52	1
113T2203-6		1	190	1
		2	88	1
113T2203-7		1	125	1
		2	62	1
113T2203-8		1	165	1
		2	76	1
113T2203-9		1	175	1
		2	80	1
113T2205-1		1	694	1
		2	478	1
113T2205-10		1	703	1
		2	500	1
113T2205-2		1	695	1
		2	480	1
113T2205-3		1	704	1
113T2205-3		2	502	1
113T2205-4		1	704A	1
		2	504	1
113T2205-5		1	705	1
		2	506	1

57-53-25

 ILLUSTRATED PARTS LIST
 01.1 Page 1046
 Nov 01/05

PART NUMBER	AIRLINE PART NO.	FIG.	ITEM	TTL REQ
113T2205-6		1	705A	1
		2	508	1
113T2205-7		1	708	1
		2	512	1
113T2205-8		1	708A	1
		2	514	1
113T2205-9		1	706	1
		2	510	1
113T2206-1		1	658	1
		2	416	1
113T2206-2		1	664	1
		2	430	1
113T2206-3		1	665	1
		2	432	1
113T2206-4		1	666	1
		2	434	1
113T2206-5		1	660	1
		2	422	1
113T2206-6		1	663	1
		2	428	1
113T2301-1SP		1	1	RF
113T2301-16		1	5D	RF
113T2301-17		1	1E	RF
113T2301-18		1	5E	RF
113T2301-19		1	1F	RF
113T2301-2SP		1	5	RF
113T2301-20		1	5F	RF
113T2301-25		1	1P	RF
113T2301-26		1	5P	RF
113T2301-27		1	1Q	RF
113T2301-28		1	5Q	RF
113T2301-29		1	1R	RF
113T2301-30		1	5R	RF
113T2301-31SP		1	1S	RF
		2	1A	RF
113T2301-32SP		1	5S	RF
		2	4	RF
113T2301-33SP		1	1T	RF
		2	1B	RF
113T2301-34SP		1	5T	RF
		2	4A	RF
113T2301-35SP		1	1U	RF
		2	1C	RF
113T2301-36SP		1	5U	RF
		2	4B	RF

57-53-25

PART NUMBER	AIRLINE PART NO.	FIG.	ITEM	TTL REQ
113T2301-37SP		1	1V	RF
		2	1D	RF
113T2301-38SP		1	5V	RF
		2	4C	RF
113T2301-5		1	1A	RF
113T2301-5001		1	7A	1
113T2301-5002		1	8A	1
113T2301-5003		1	7	1
113T2301-5004		1	8	1
113T2301-5005		1	7B	1
113T2301-5006		1	8B	1
113T2301-5007		1	7C	1
113T2301-5008		1	8C	1
113T2301-5009		1	7D	1
113T2301-5010		1	8D	1
113T2301-5011		1	7E	1
113T2301-5012		1	8E	1
113T2301-5013		1	7G	1
113T2301-5014		1	8G	1
113T2301-5015		1	7H	1
113T2301-5016		1	8H	1
113T2301-5017		1	7J	1
113T2301-5018		1	8J	1
113T2301-5019		1	7K	1
113T2301-5020		1	8K	1
113T2301-6		1	5A	RF
113T2301-7SP		1	1B	RF
113T2301-8SP		1	5B	RF
113T2302-1		2	178A	1
113T2302-2		2	180A	1
113T2302-3		2	182A	1
113T2302-4		2	184A	1
113T2302-5		2	136A	1
113T2302-6		2	138A	1
113T2302-7		2	140B	1

57-53-25

 ILLUSTRATED PARTS LIST
 01.1 Page 1048
 Nov 01/05

PART NUMBER	AIRLINE PART NO.	FIG.	ITEM	TTL REQ
113T2302-8		2	142A	1
113T2311-1		1	235	1
		2	110	1
113T2311-10		1	405	1
113T2311-11		1	285A	1
113T2311-12		1	290A	1
113T2311-13		1	365A	1
113T2311-14		1	370A	1
113T2311-15		1	400A	1
113T2311-16		1	405A	1
113T2311-17		1	402	1
113T2311-18		1	407	1
113T2311-19		1	404	1
113T2311-2		1	240	1
		2	112	1
113T2311-20		1	409	1
113T2311-21		1	380	1
		2	170	1
113T2311-22		1	381	1
		2	172	1
113T2311-23		1	382	1
		2	174	1
113T2311-24		1	383	1
		2	176	1
113T2311-25		1	304	1
		2	128	1
113T2311-26		1	305	1
		2	130	1
113T2311-27		1	306	1
		2	132	1
113T2311-28		1	307	1
		2	134	1

57-53-25

PART NUMBER	AIRLINE PART NO.	FIG.	ITEM	TTL REQ
113T2311-29		1	388	1
		2	186	1
113T2311-3		1	285	1
113T2311-30		1	389	1
		2	188	1
113T2311-31		1	390	1
		2	190	1
113T2311-32		1	391	1
		2	192	1
113T2311-33		1	312	1
		2	144	1
113T2311-34		1	313	1
		2	146	1
113T2311-35		1	314	1
		2	148	1
113T2311-36		1	315	1
		2	150	1
113T2311-37		1	380A	1
113T2311-38		1	381A	1
113T2311-39		1	382A	1
113T2311-4		1	290	1
113T2311-40		1	383A	1
113T2311-41		1	304A	1
113T2311-42		1	305A	1
113T2311-43		1	306A	1
113T2311-44		1	307A	1
113T2311-45		1	400B	1
		2	198	1
113T2311-46		1	405B	1
		2	200	1
113T2311-5		1	325	1
		2	156	1
113T2311-6		1	330	1
		2	158	1
113T2311-7		1	365	1
113T2311-8		1	370	1
113T2311-9		1	400	1
113T2313-1		1	727	1
		2	534	1

57-53-25

 ILLUSTRATED PARTS LIST
 01.1 Page 1050
 Nov 01/05

PART NUMBER	AIRLINE PART NO.	FIG.	ITEM	TTL REQ
113T2313-2		1	728	1
		2	536	1
113T2313-3		1	756	1
		2	570	1
113T2313-4		1	756A	1
		2	572	1
113T2314-1		1	729	1
		2	538	1
113T2314-2		1	730	1
		2	540	1
113T2314-3		1	758	1
		2	574	1
113T2314-4		1	758A	1
		2	576	1
113T2315-1		1	760	1
		2	578	1
113T2315-10		1	812	1
113T2315-11		1	838	1
		2	702	1
113T2315-12		1	838A	1
		2	704	1
113T2315-13		1	814	1
113T2315-14		1	816	1
113T2315-15		1	838B	1
		2	706	1
113T2315-16		1	838C	1
		2	708	1
113T2315-17		1	768	1
		2	586	1
113T2315-18		1	770	1
		2	588	1
113T2315-19		1	806B	1
		2	632	1
113T2315-2		1	762	1
		2	580	1
113T2315-20		1	808B	1
		2	648	1
113T2315-21		1	772	1
		2	590	1
113T2315-22		1	774	1
		2	592	1
113T2315-23		1	806C	1
		2	634	1
113T2315-24		1	808C	1
		2	650	1

57-53-25

PART NUMBER	AIRLINE PART NO.	FIG.	ITEM	TTL REQ
113T2315-25		1	776	1
		2	594	1
113T2315-26		1	778	1
		2	596	1
113T2315-27		1	806D	1
		2	636	1
113T2315-28		1	808D	1
		2	652	1
113T2315-29		1	818	1
		1	824	1
113T2315-3		1	806	1
		2	628	1
113T2315-30		1	820	1
		1	822	1
113T2315-31		1	838D	1
		2	710	1
113T2315-32		1	838E	1
		2	712	1
113T2315-33		1	780	1
		2	598	1
113T2315-34		1	782	1
		2	600	1
113T2315-35		1	806E	1
113T2315-35		2	638	1
113T2315-36		1	808E	1
		2	654	1
113T2315-37		1	854	1
		2	748	1
113T2315-38		1	855	1
		2	750	1
113T2315-39		1	868	1
		2	766	1
113T2315-4		1	808	1
		2	644	1

57-53-25

 ILLUSTRATED PARTS LIST
 01.1 Page 1052
 Nov 01/05

PART NUMBER	AIRLINE PART NO.	FIG.	ITEM	TTL REQ
113T2315-40		1	868A	1
		2	768	1
113T2315-41		1	784	1
		2	602	1
113T2315-42		1	786	1
		2	604	1
113T2315-43		1	806F	1
		2	640	1
113T2315-44		1	808F	1
		2	656	1
113T2315-45		1	788	1
		2	606	1
113T2315-46		1	789	1
		2	608	1
113T2315-47		1	806G	1
		2	642	1
113T2315-48		1	808G	1
		2	658	1
113T2315-49		1	839B	1
113T2315-5		1	764	1
		2	582	1
113T2315-50		1	839C	1
113T2315-51		1	843B	1
113T2315-52		1	843C	1
113T2315-53		1	839	1
113T2315-54		1	839A	1
113T2315-55		1	843	1
113T2315-56		1	843A	1
113T2315-57		1	839D	1
		2	714	1
113T2315-58		1	839E	1
		2	716	1
113T2315-59		1	843D	1
		2	740	1

57-53-25

PART NUMBER	AIRLINE PART NO.	FIG.	ITEM	TTL REQ
113T2315-6		1	766	1
		2	584	1
113T2315-60		1	843E	1
		2	742	1
113T2315-61		1	839F	1
		2	718	1
113T2315-62		1	839G	1
		2	720	1
113T2315-63		1	843F	1
		2	744	1
113T2315-64		1	843G	1
		2	746	1
113T2315-65		1	818A	1
		1	824A	1
113T2315-66		2	668	1
		2	674	1
113T2315-67		1	820A	1
		1	822A	1
113T2315-68		2	670	1
		2	672	1
113T2315-69		1	810A	1
		2	660	1
113T2315-70		1	812A	1
		2	662	1
113T2315-7		1	814A	1
		2	664	1
113T2315-8		1	806A	1
		2	630	1
113T2315-9		1	816A	1
		2	666	1
113T2316-1		1	808A	1
		2	646	1
113T2318-1		1	810	1
		1	225	2
		2	106	2
		1	722	1
		2	528	1

57-53-25

 ILLUSTRATED PARTS LIST
 01.1 Page 1054
 Nov 01/05

PART NUMBER	AIRLINE PART NO.	FIG.	ITEM	TTL REQ
113T2318-2		1	724	1
		2	530	1
113T2319-1		1	726	2
		2	532	2
113T2320-1		1	870	1
113T2320-2		1	871	1
113T2320-23		1	910	1
		2	848	1
113T2320-24		1	910A	1
		2	850	1
113T2320-25		1	914	1
		2	858	1
113T2320-47		1	899	1
113T2320-49		1	893	1
113T2320-51		1	898	1
113T2320-53		1	903	1
113T2320-54		1	903A	1
113T2320-55		1	909	1
		2	844	1
113T2320-56		1	909A	1
		2	846	1
113T2320-57		1	881	1
113T2320-59		1	876A	1
113T2320-61		1	880	1
113T2320-63		1	885	1
		2	806	1
113T2320-64		1	885A	1
		2	808	1
113T2320-65		1	892	1
		2	826	1
113T2320-66		1	892A	1
		2	828	1
113T2320-71		1	870A	1
113T2320-72		1	871A	1
113T2320-73		1	870B	1
113T2320-74		1	871B	1
113T2320-79		1	903G	1
		2	830	1
113T2320-80		1	903L	1
		2	832	1
113T2320-83		1	875S	1
		2	802	1
113T2320-84		1	875V	1
		2	804	1

57-53-25

ILLUSTRATED PARTS LIST
01.1 Page 1055
Nov 01/05

PART NUMBER	AIRLINE PART NO.	FIG.	ITEM	TTL REQ
113T2320-85		1	875E	1
		2	794	1
113T2320-86		1	875H	1
		2	796	1
113T2320-87		1	870D	1
		2	772	1
113T2320-88		1	871D	1
113T2320-88		2	774	1
113T2320-89		2	772A	1
113T2320-90		2	774A	1
113T2320-97		2	772B	1
113T2320-98		2	774B	1
113T2330-1		1	995	1
113T2330-2		1	995A	1
113T2330-3		2	943	1
113T2330-4		2	944A	1
113T2330-5		2	943A	1
113T2330-6		2	944B	1
113T2331-1		1	920	2
		1	920A	3
		2	868	3
113T2331-2		1	926	12
		2	874	12
113T2332-1		1	916	1
		2	860	1
113T2332-4		1	916C	1
		2	862	1
113T2332-5		2	860A	1
113T2332-6		2	862A	1
113T2339-1		1	644	1
113T2339-10		1	672	1
		2	440	1

57-53-25

 ILLUSTRATED PARTS LIST
 01.1 Page 1056
 Nov 01/05

PART NUMBER	AIRLINE PART NO.	FIG.	ITEM	TTL REQ
113T2339-11		1	644A	1
113T2339-15		1	684J	2
		2	458	2
113T2339-16		1	673	1
		2	442	1
113T2339-17		1	679	1
		2	450	1
113T2339-18		1	644B	1
		2	400	1
113T2339-2		1	674	1
		2	444	1
113T2339-3		1	676	2
		2	446	2
113T2339-4		1	678	1
		2	448	1
113T2339-5		1	680	1
		2	452	1
113T2339-6		1	682	1
113T2339-6		2	454	1
113T2339-7		1	684	2
		2	456	2
113T2339-8		1	668	1
		2	436	1
113T2339-9		1	670	2
		2	438	2
113T2340-1		1	620	1
		2	376	1
113T2340-2		1	618	1
		2	374	1
113T2340-3		1	616	1
		2	372	1
113T2340-4		1	614	1
		2	370	1
113T2341-1		1	685	1

57-53-25

PART NUMBER	AIRLINE PART NO.	FIG.	ITEM	TTL REQ
113T2341-2		1	689	1
113T2341-4		1	685G	1
		2	460	1
113T2341-5		1	689G	1
		2	468	1
113T2342-1		1	572	1
113T2342-10		1	574A	1
113T2342-11		1	572B	1
		2	310	1
113T2342-12		1	574B	1
		2	312	1
113T2342-2		1	574	1
113T2342-3		1	600	1
113T2342-4		1	600A	1
113T2342-7		1	600B	1
		2	350	1
113T2342-8		1	600C	1
		2	352	1
113T2342-9		1	572A	1
113T2343-1		1	986	1
		2	924	1
113T2343-10		1	956A	1
		2	888	1
113T2343-11		1	968	1
		2	900	1
113T2343-12		1	968A	1
		2	902	1
113T2343-15		1	932	1
113T2343-17		1	946	1
113T2343-18		1	946A	1
113T2343-19		1	930	1
113T2343-2		1	986A	1
		2	926	1
113T2343-21		1	944	1
113T2343-27		1	942	2
113T2343-28		1	982	2
		2	916	2
113T2343-29		1	948A	1
		2	878	1

57-53-25

 ILLUSTRATED PARTS LIST
 01.1 Page 1058
 Nov 01/05

PART NUMBER	AIRLINE PART NO.	FIG.	ITEM	TTL REQ
113T2343-3		1	993	1
		2	936	1
113T2343-4		1	993A	1
		2	938	1
113T2343-5		1	970	1
		2	904	1
113T2343-6		1	970A	1
		2	906	1
113T2343-7		1	984	1
		2	918	1
113T2343-8		1	984A	1
		2	920	1
113T2343-9		1	956	1
		2	886	1
113T2344-1		1	624	1
		2	380	1
113T2344-11		1	542	1
		2	268	1
113T2344-17		1	710	1
		2	524	1
113T2344-18		1	712	1
		2	526	1
113T2344-2		1	642	1
		2	396	1
113T2344-21		1	562A	1
		2	296	1
113T2344-23		1	570A	1
		2	308	1
113T2344-25		1	624B	1
		2	380A	1
113T2344-26		1	642A	1
		2	396A	1
113T2344-3		1	626	1
113T2344-3		2	382	1
113T2344-4		1	643	1
		2	398	1
113T2344-5		1	506	1
		2	230	1
113T2344-6		1	508	1
		2	232	1
113T2344-7		1	524	1
		2	248	1

57-53-25

ILLUSTRATED PARTS LIST
01.1 Page 1059
Nov 01/05

PART NUMBER	AIRLINE PART NO.	FIG.	ITEM	TTL REQ
113T2344-8		1	524A	1
		2	250	1
113T2344-9		1	526	1
		2	252	1
113T2345-1		1	544	1
		2	270	1
113T2345-2		1	546	1
		2	272	1
113T2345-3		1	560	1
		2	292	1
113T2345-4		1	560A	1
		2	294	1
113T2346-1		1	575	1
		2	318	1
113T2346-2		1	576	1
		2	320	1
113T2347-1		1	200	2
		2	96	2
13-06-117		1	622	4
		2	378	4
2-117S383-70		1	622	4
		2	378	4
5673-322		1	25K	2
5673-777		1	384A	1
		2	178	1
5673-778		1	385A	1
		2	180	1
5673-779		1	386B	1
		2	182	1
5673-780		1	387B	1
		2	184	1
5673-787		1	308B	1
		2	136	1
5673-788		1	309B	1
		2	138	1

57-53-25

 ILLUSTRATED PARTS LIST
 01.1 Page 1060
 Nov 01/05

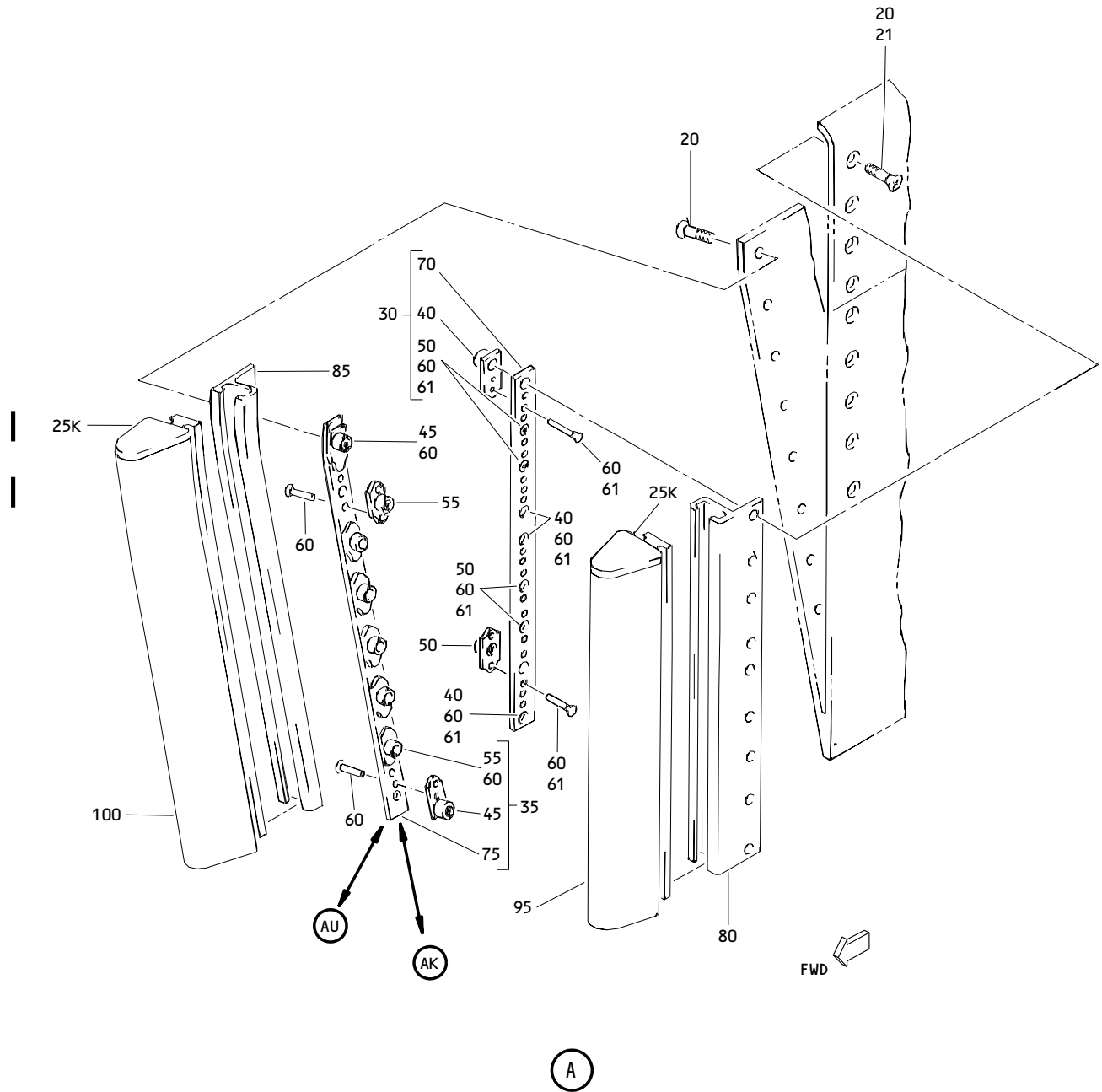
PART NUMBER	AIRLINE PART NO.	FIG.	ITEM	TTL REQ
5673-789		1	310A	1
5673-789		2	140A	1
5673-790		1	311B	1
		2	142	1
60B00178-651		1	220B	2
		2	104B	2
66014-10		1	565	1
		2	300	1
66014-5		1	578	4
		2	316	4
66014-6		1	720	10
		1	734	13
		1	827	12
		1	884	10
		1	888A	8
		1	888G	6
		1	902	10
		1	905	8
		1	918	12
		1	924	6
		1	936	8
		1	952	6
		1	960	9
		1	974	9
		1	988	9
		2	522	10
		2	548	13
		2	680	8
		2	818	6
		2	836	8
		2	866	12
		2	872	9
		2	882	6
		2	892	9
		2	910	9
		2	930	9

57-53-25

PART NUMBER	AIRLINE PART NO.	FIG.	ITEM	TTL REQ
66014-8		1	567	1
		2	304	1
67832AS4		1	634	2
		2	390	2
67832AS428		1	634	2
		2	390	2
67832AS5		1	516	1
		1	534	1
		1	550	1
67832AS5		2	240	1
		2	260	1
		2	280	1
		2	260	1
67832AS524		1	516	1
		1	534	1
		1	550	1
		2	240	1
69235-820CM		2	260	1
		2	280	1
		1	215A	4
		2	102	4
69308-8A12		1	602A	4
		2	354A	4
8AFC1021		1	230	2
		2	108	2
800-779		1	386B	1
		2	182	1
800-780		1	387B	1
		2	184	1
96-02		1	581	1
		1	693	2
		1	885C	1
		2	324	1
		2	474	2

57-53-25

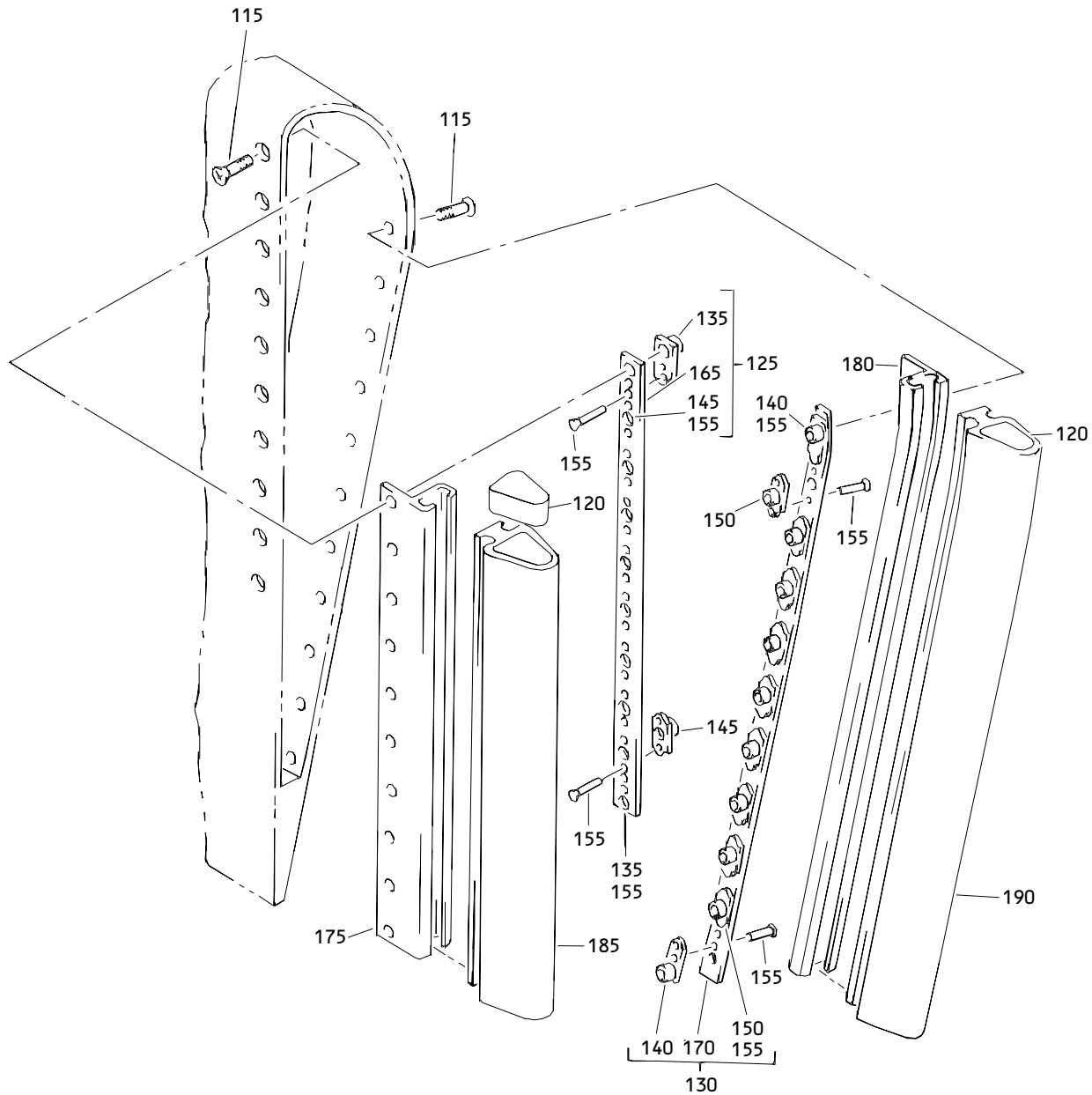
 ILLUSTRATED PARTS LIST
 01.1 Page 1062
 Nov 01/05



Inboard Trailing Edge Flap Aft Flap Assembly
Figure 1 (Sheet 2)

57-53-25

ILLUSTRATED PARTS LIST
01.1 Page 1065
Nov 01/05

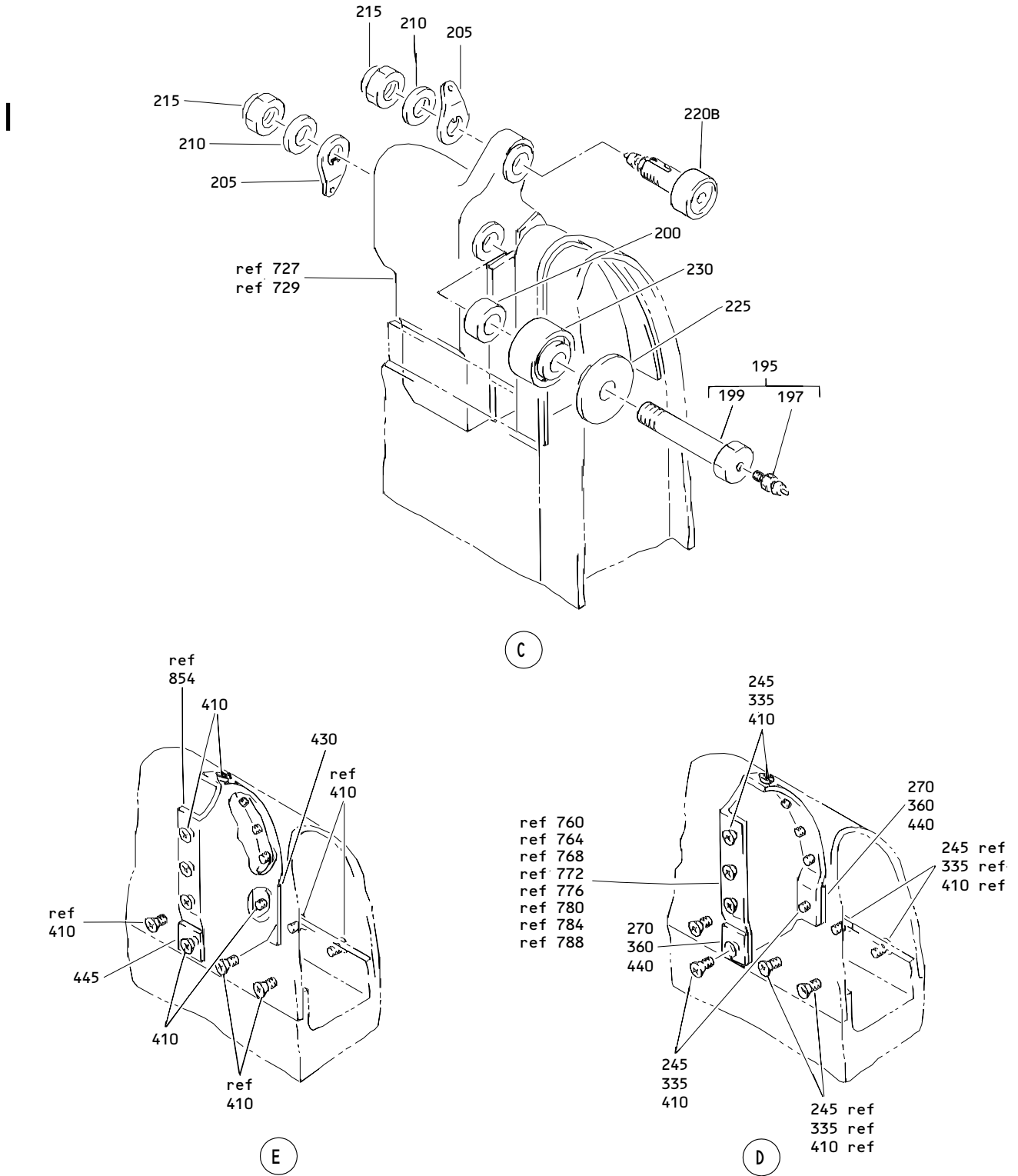


(B)

Inboard Trailing Edge Flap Aft Flap Assembly
 Figure 1 (Sheet 3)

57-53-25

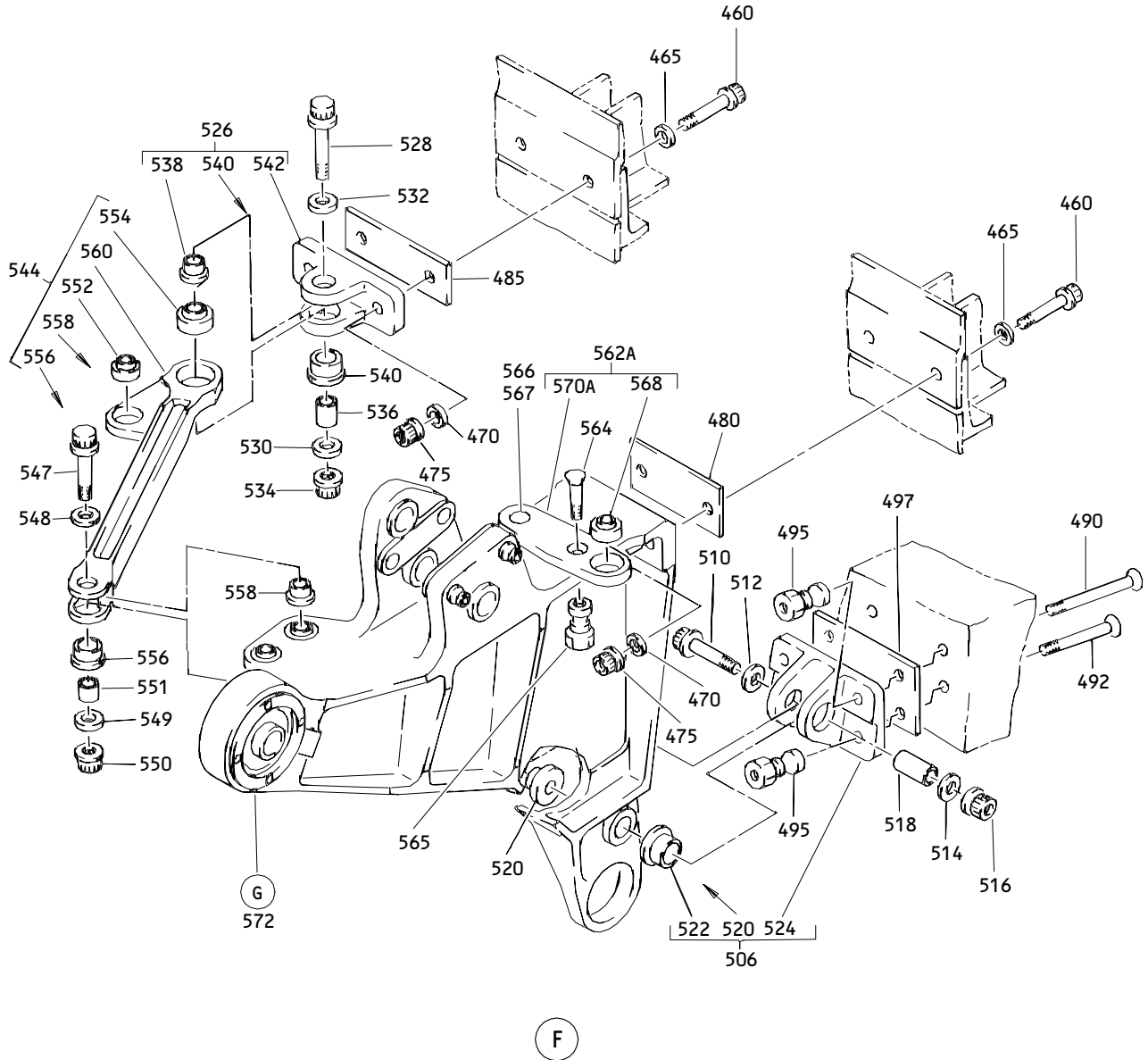
ILLUSTRATED PARTS LIST
 01.1 Page 1066
 Nov 01/05



Inboard Trailing Edge Flap Aft Flap Assembly
 Figure 1 (Sheet 4)

57-53-25

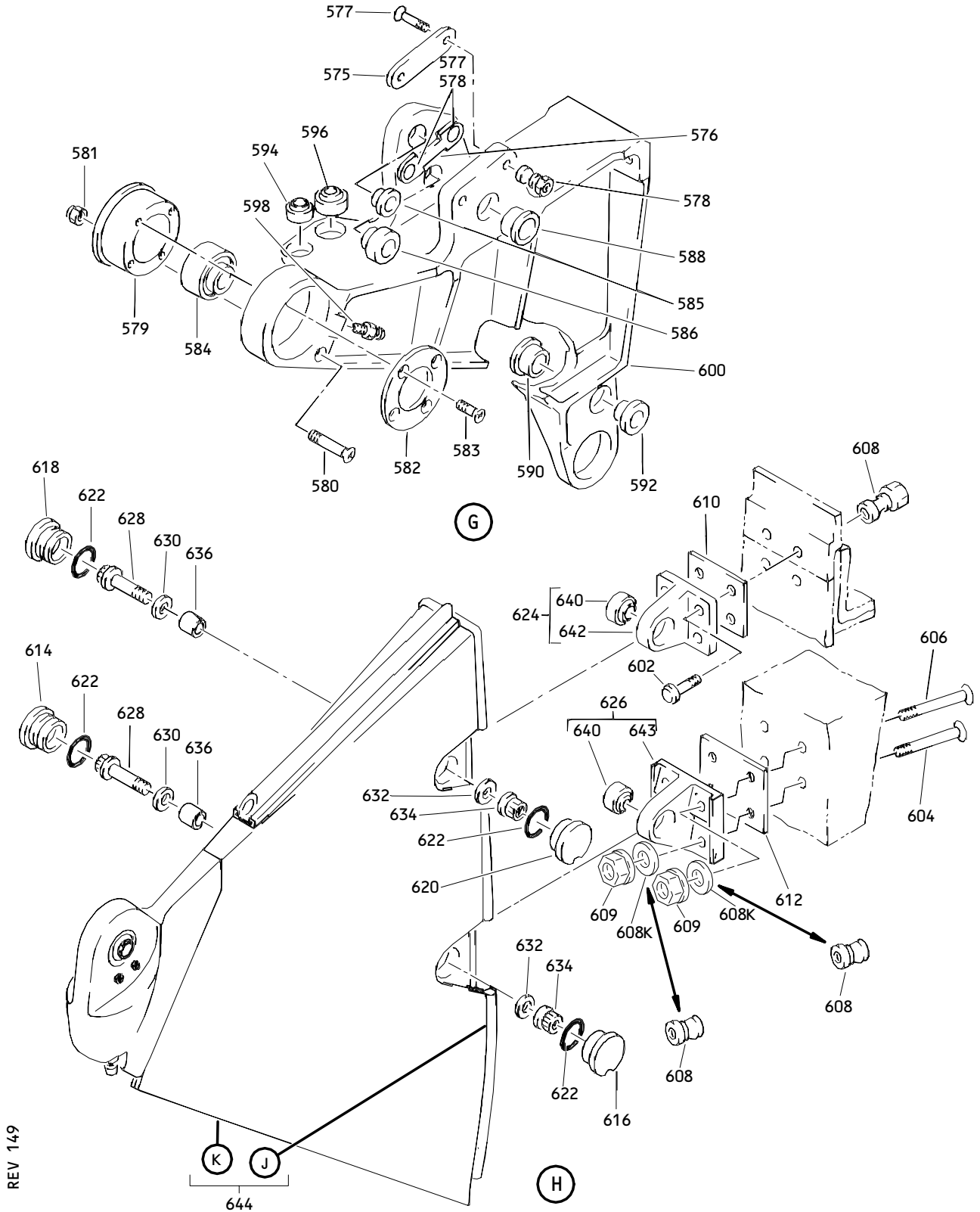
ILLUSTRATED PARTS LIST
 01.1 Page 1067
 Nov 01/05



Inboard Trailing Edge Flap Aft Flap Assembly
 Figure 1 (Sheet 5)

57-53-25

ILLUSTRATED PARTS LIST
 01.1 Page 1068
 Nov 01/05

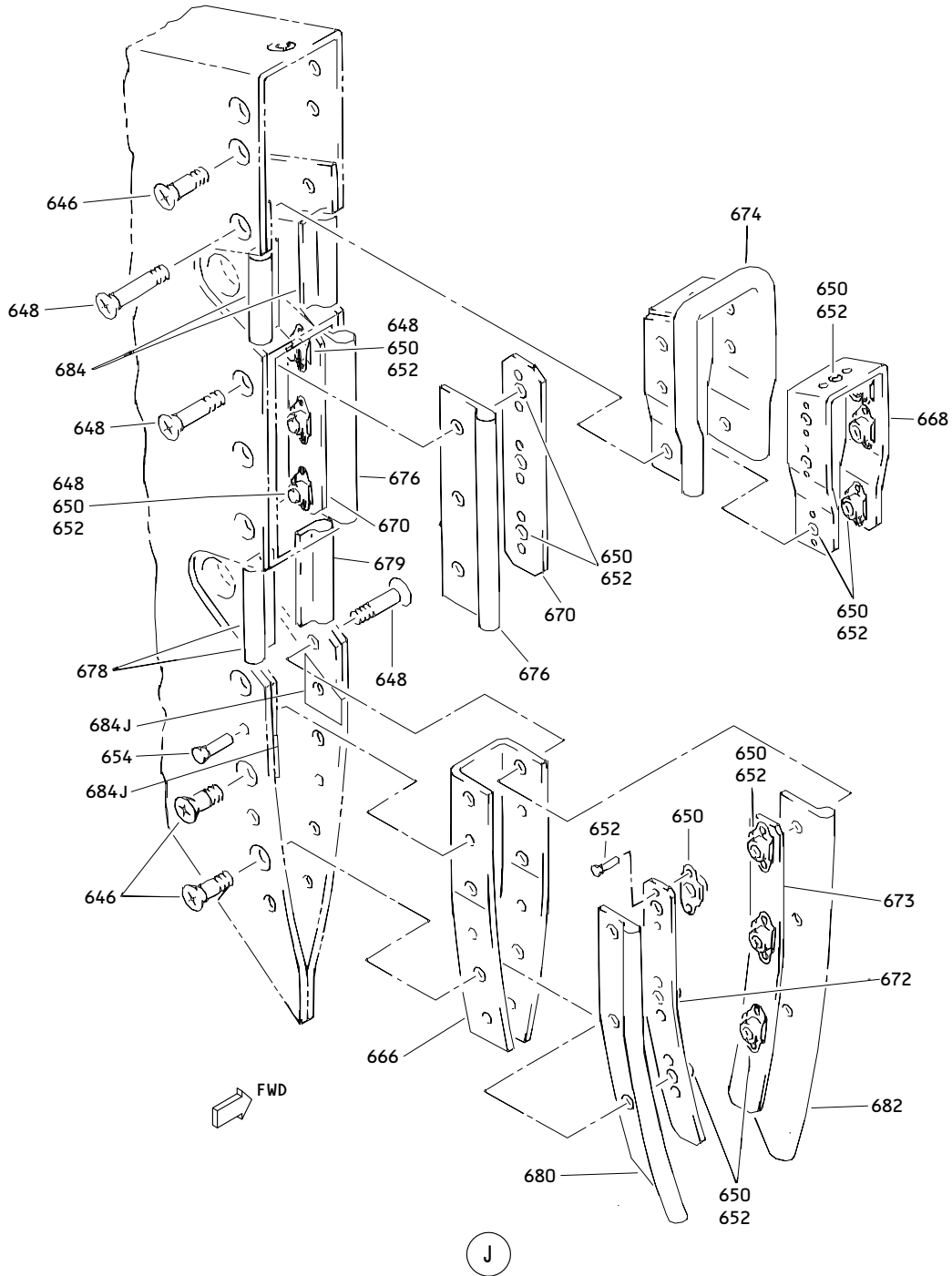


REV 149

Inboard Trailing Edge Flap Aft Flap Assembly
Figure 1 (Sheet 6)

57-53-25

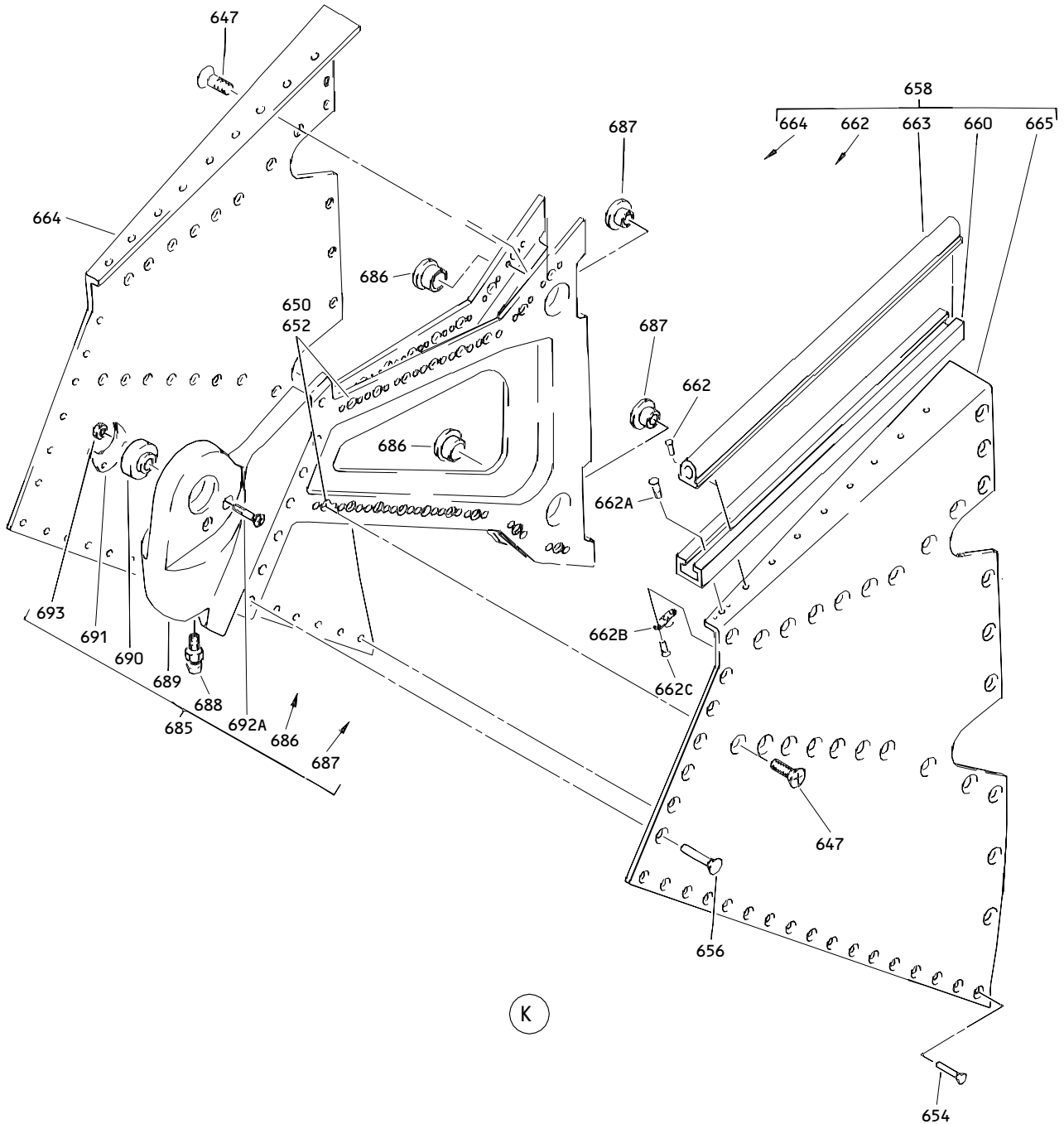
ILLUSTRATED PARTS LIST
01.1 Page 1069
Nov 01/05



Inboard Trailing Edge Flap Aft Flap Assembly
 Figure 1 (Sheet 7)

57-53-25

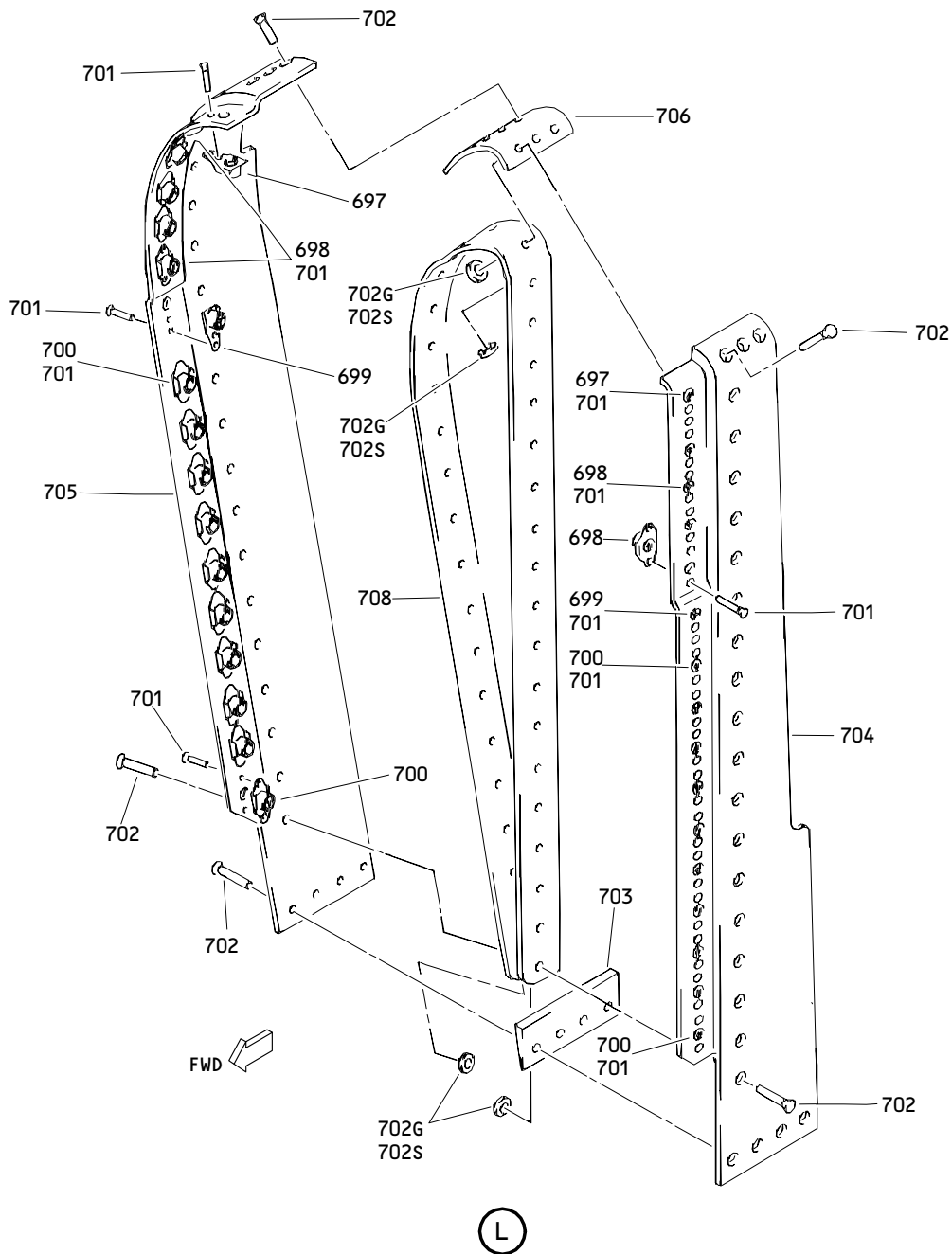
ILLUSTRATED PARTS LIST
 01.1 Page 1070
 Nov 01/05



Inboard Trailing Edge Flap Aft Flap Assembly
Figure 1 (Sheet 8)

57-53-25

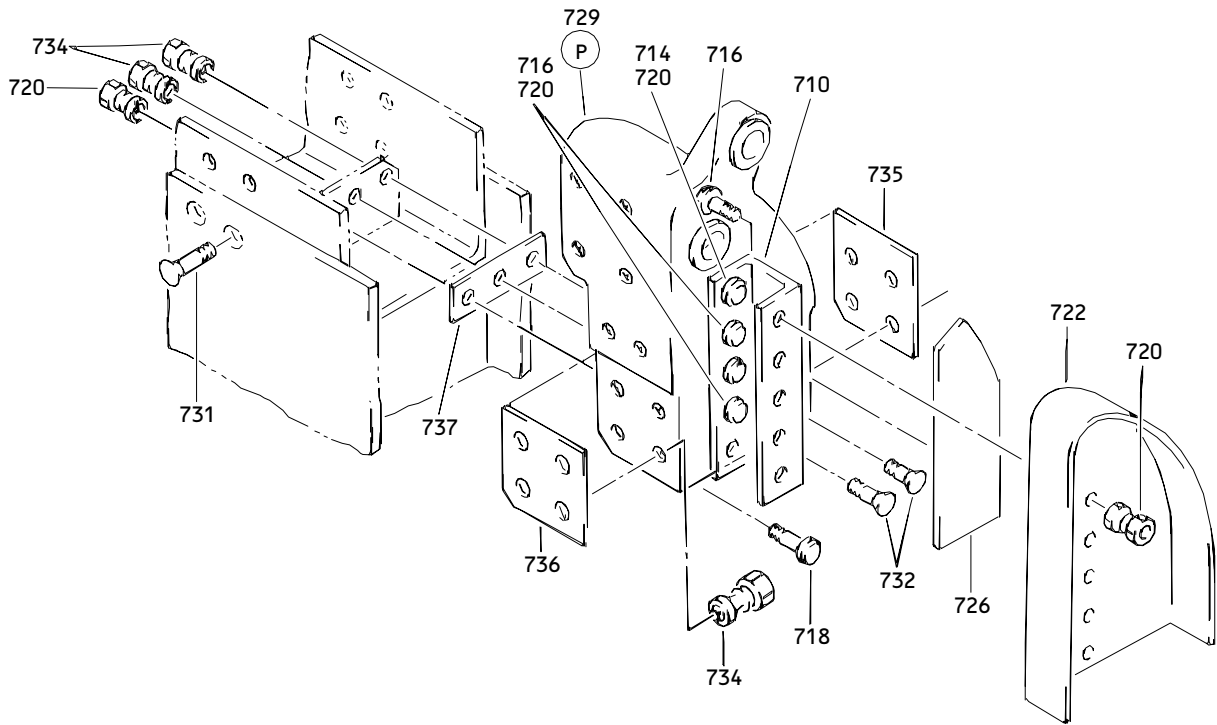
ILLUSTRATED PARTS LIST
01.1 Page 1071
Nov 01/05



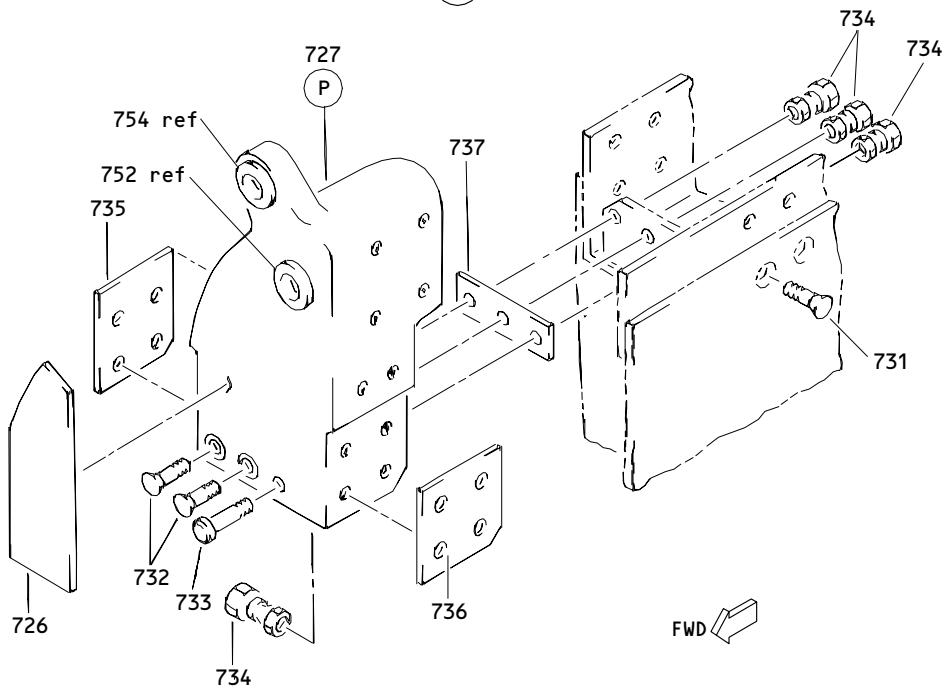
Inboard Trailing Edge Flap Aft Assembly
 Figure 1 (Sheet 9)

57-53-25

ILLUSTRATED PARTS LIST
 01.1 Page 1072
 Nov 01/05



(M)

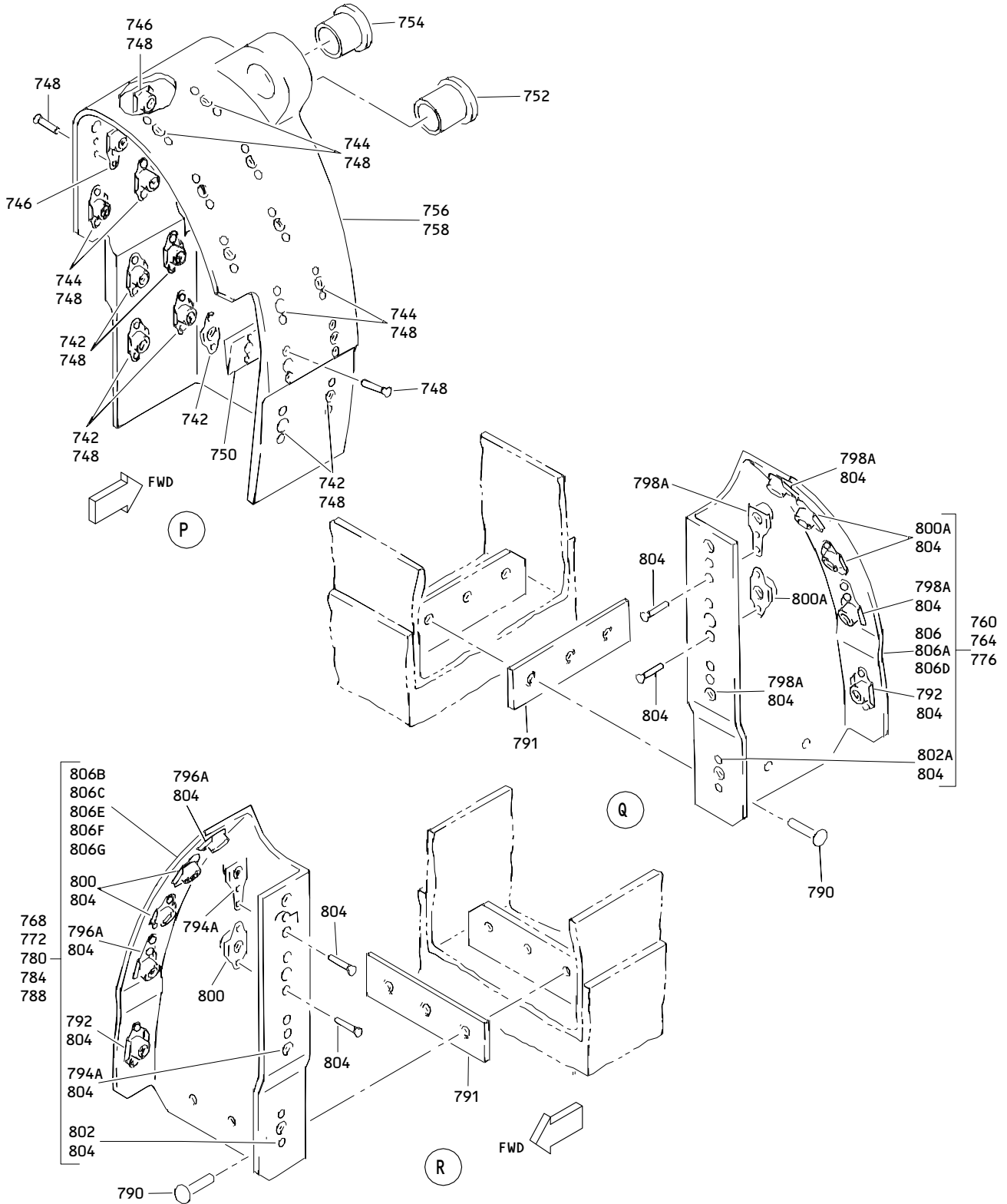


(N)

Inboard Trailing Edge Flap Aft Flap Assembly
 Figure 1 (Sheet 10)

57-53-25

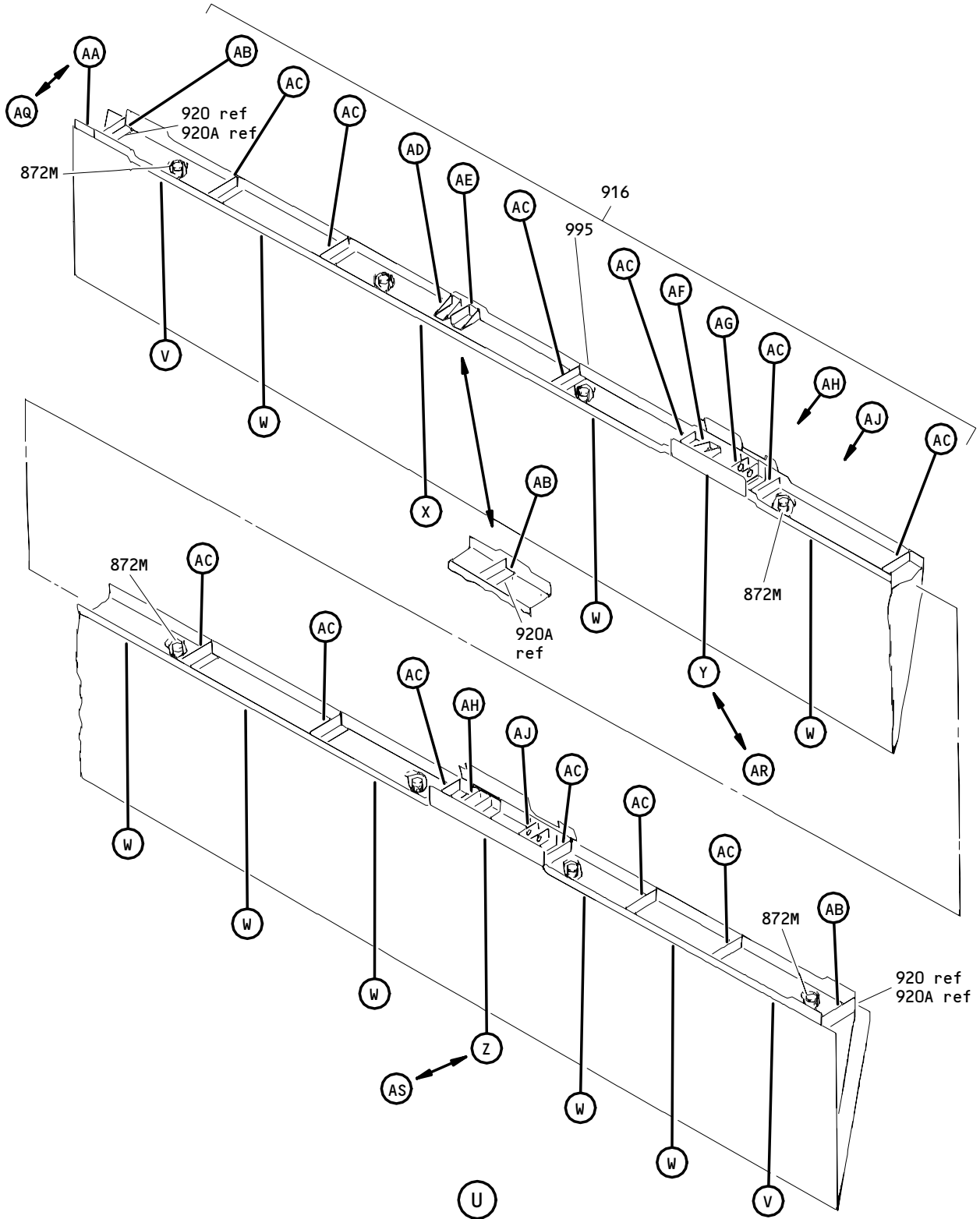
ILLUSTRATED PARTS LIST
 01.1 Page 1073
 Nov 01/05



Inboard Trailing Edge Flap Aft Flap Assembly
 Figure 1 (Sheet 11)

57-53-25

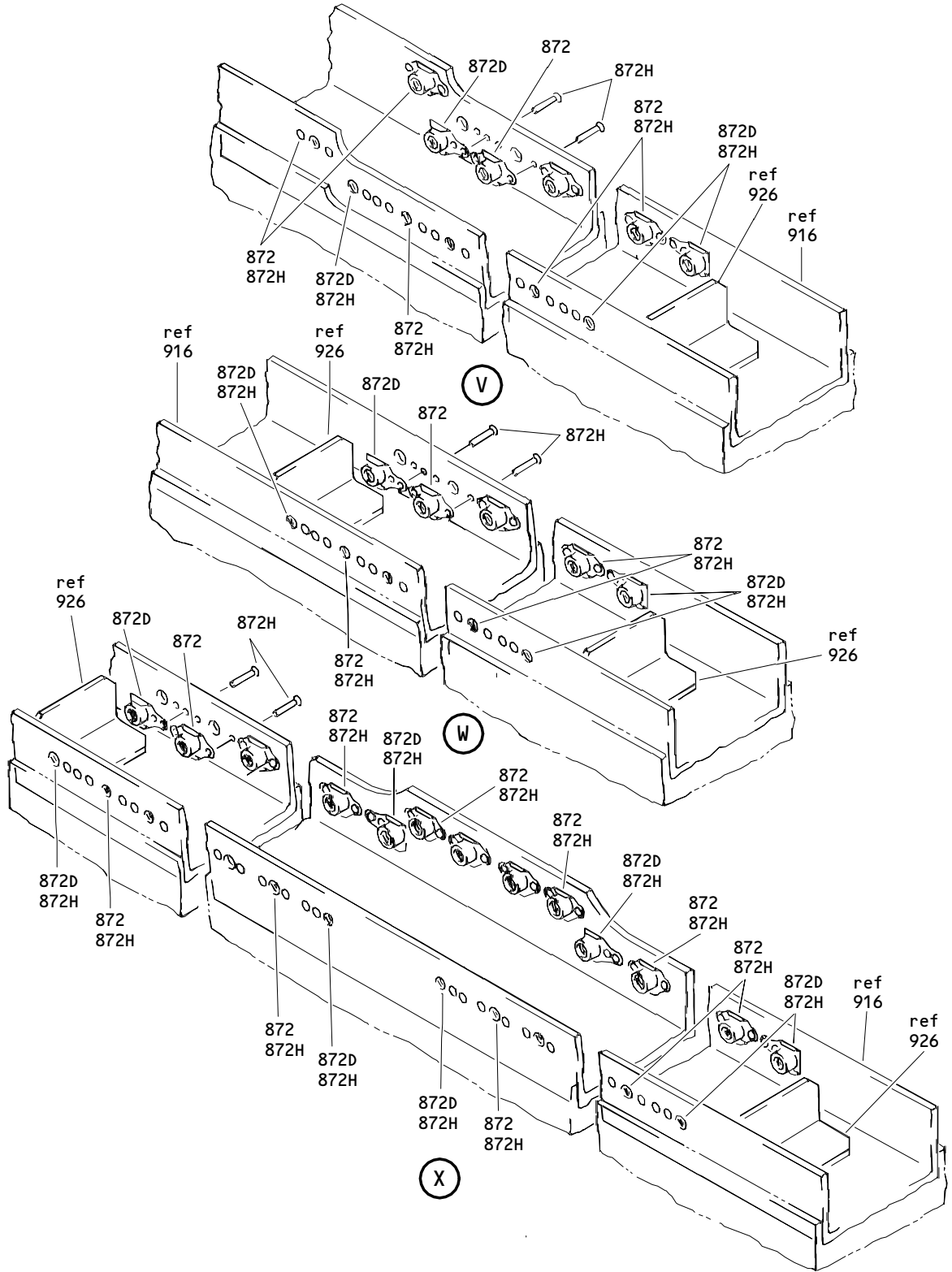
ILLUSTRATED PARTS LIST
 01.1 Page 1074
 Nov 01/05



Inboard Trailing Edge Flap Aft Flap Assembly
 Figure 1 (Sheet 13)

57-53-25

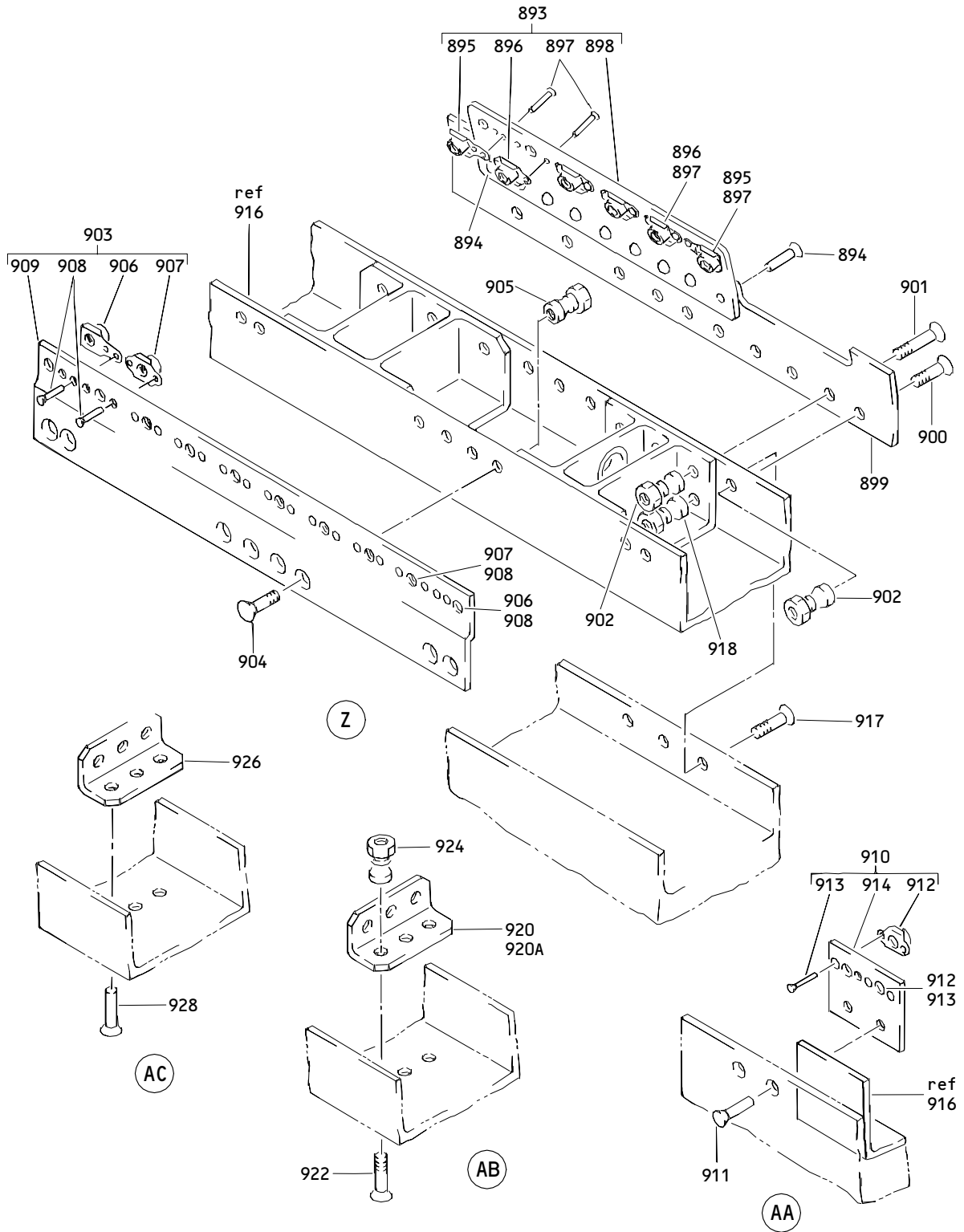
ILLUSTRATED PARTS LIST
 01.1 Page 1076
 Nov 01/05



Inboard Trailing Edge Flap Aft Flap Assembly
Figure 1 (Sheet 14)

57-53-25

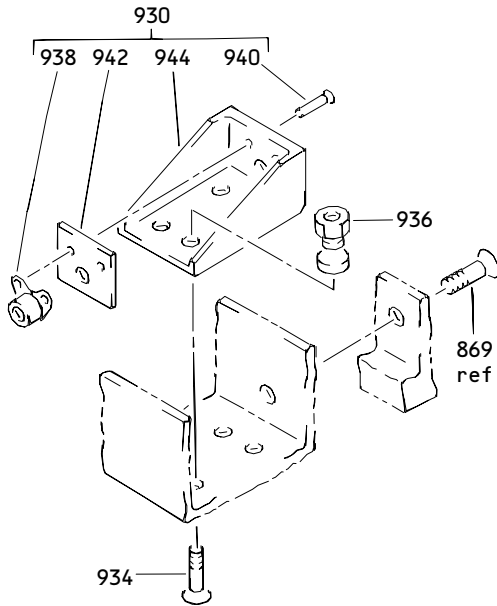
ILLUSTRATED PARTS LIST
01.1 Page 1077
Nov 01/05



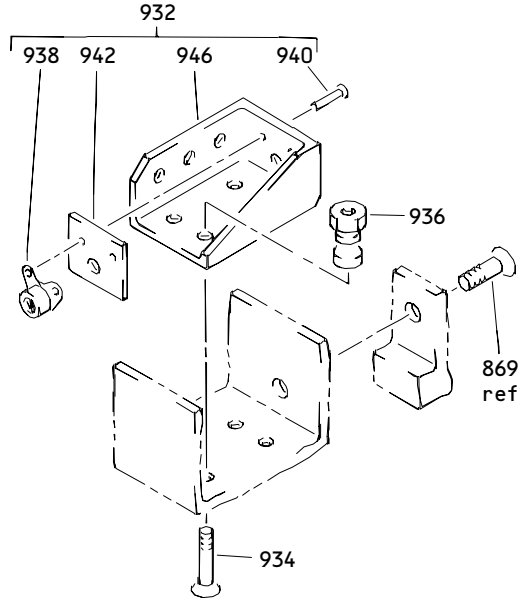
Inboard Trailing Edge Flap Aft Flap Assembly
Figure 1 (Sheet 16)

57-53-25

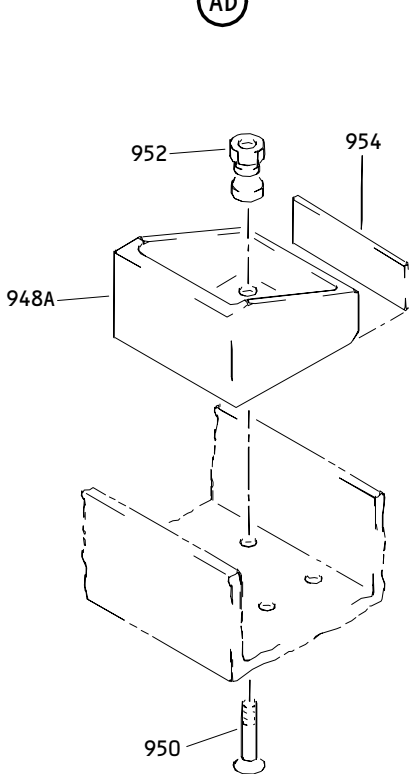
ILLUSTRATED PARTS LIST
01.1 Page 1079
Nov 01/05



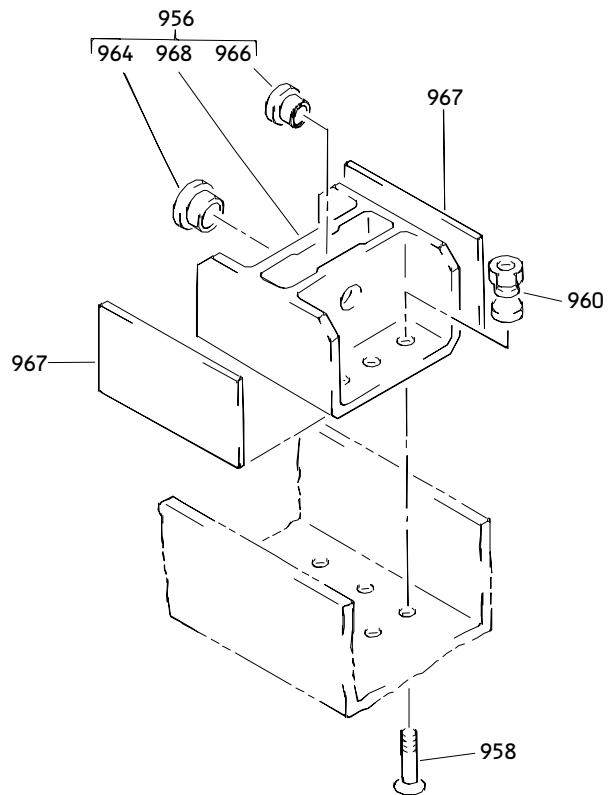
(AD)



(AE)



(AF)

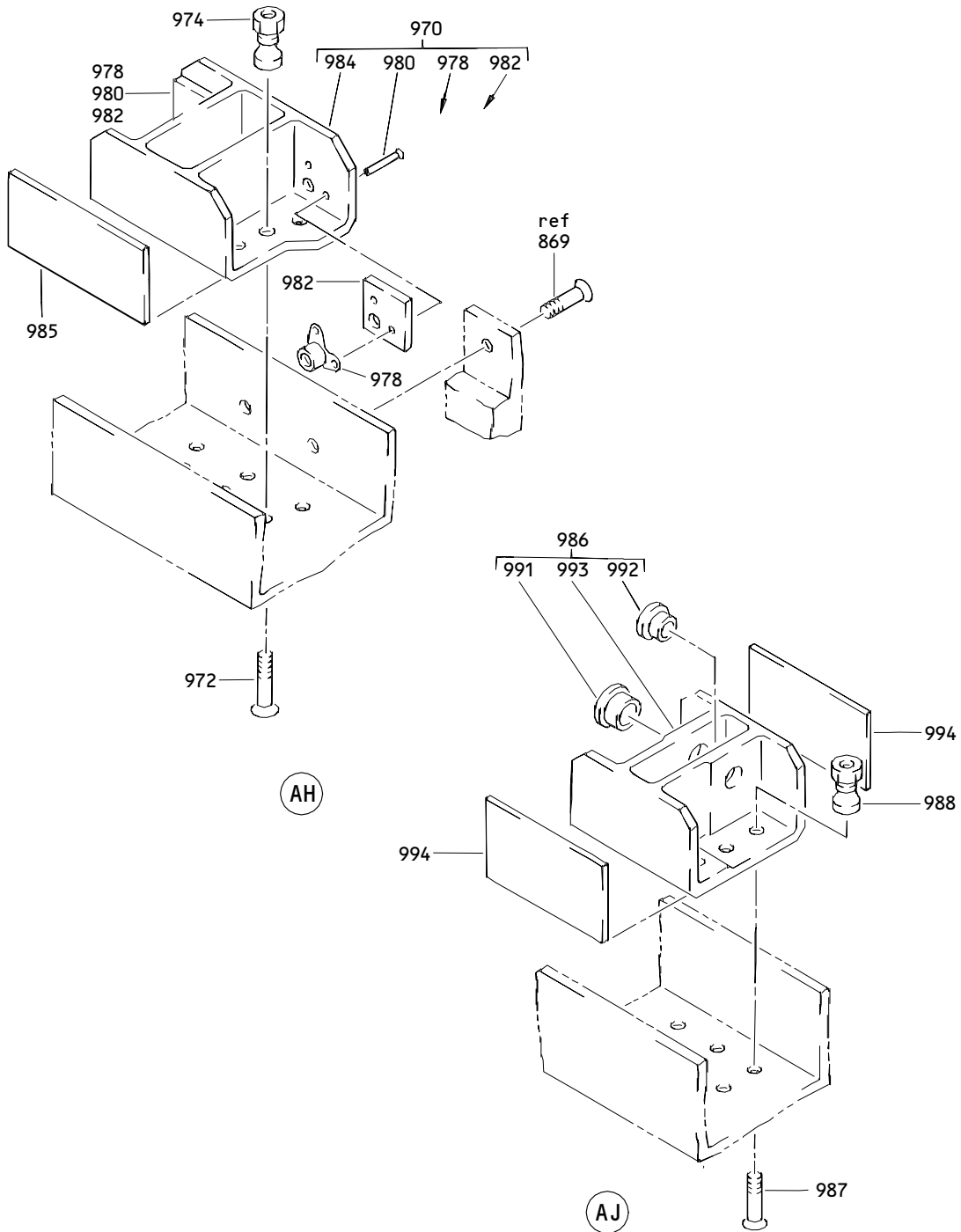


(AG)

Inboard Trailing Edge Flap Aft Flap Assembly
 Figure 1 (Sheet 17)

57-53-25

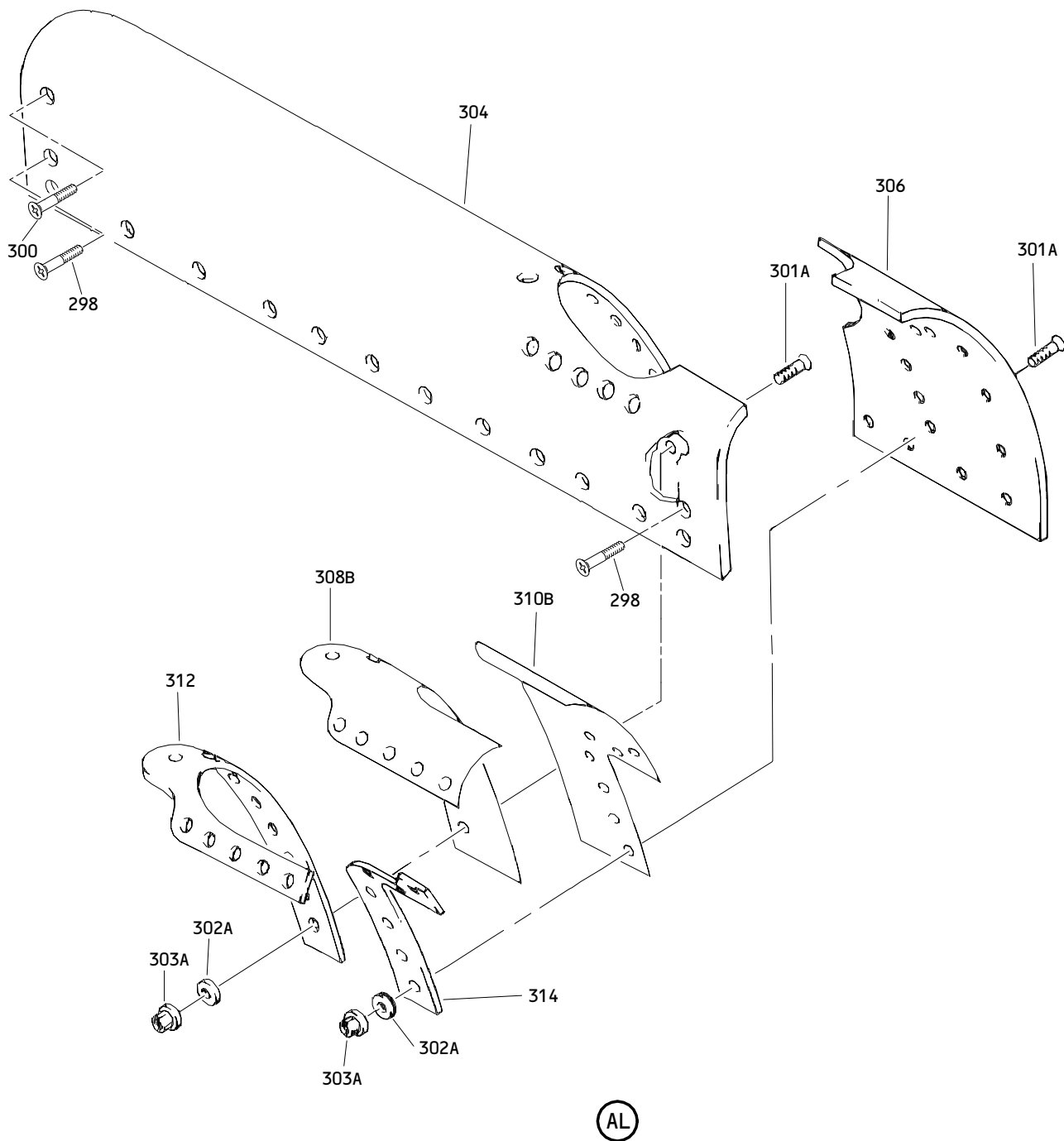
ILLUSTRATED PARTS LIST
 01.1 Page 1080
 Nov 01/05



Inboard Trailing Edge Flap Aft Flap Assembly
Figure 1 (Sheet 18)

57-53-25

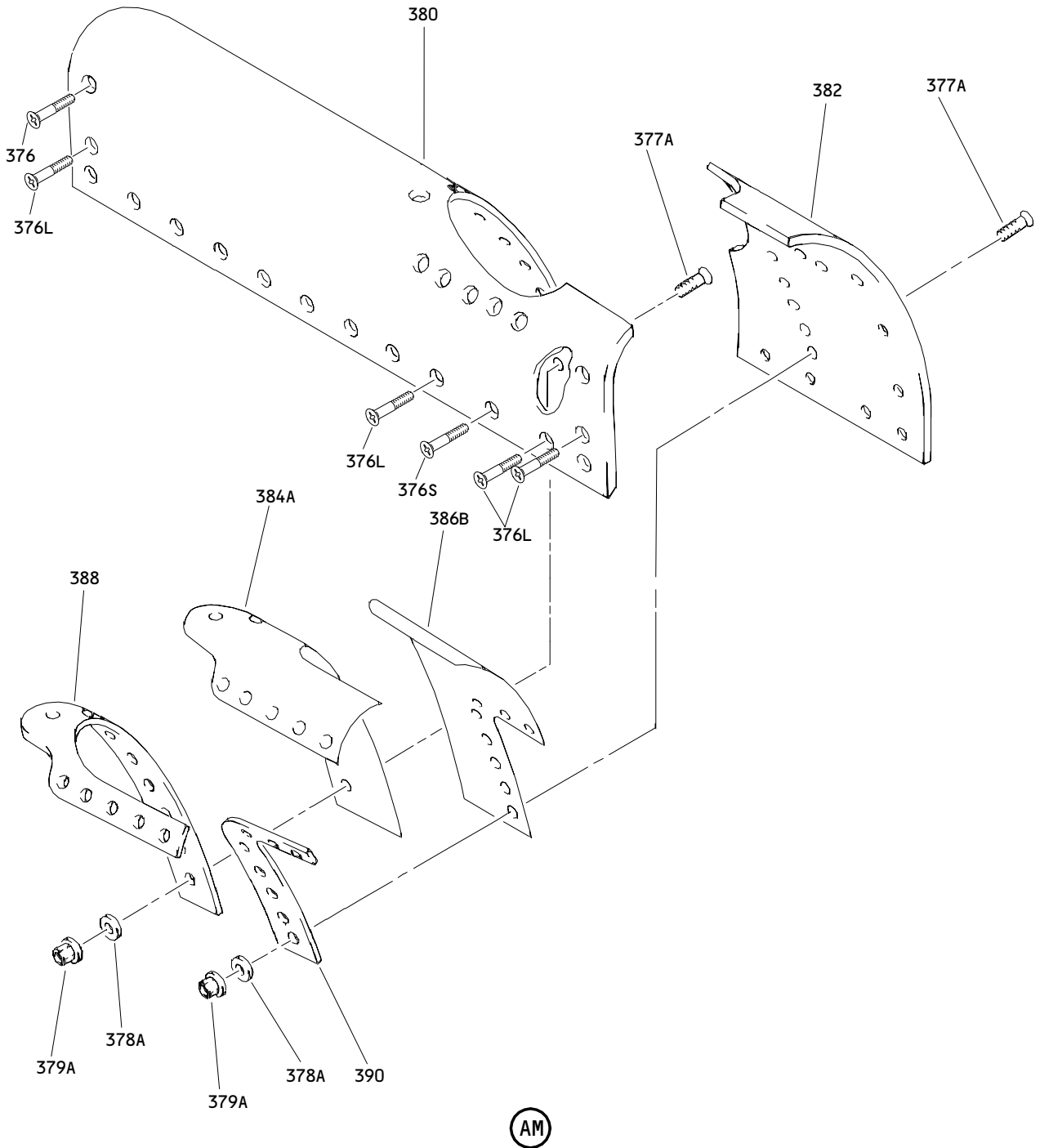
ILLUSTRATED PARTS LIST
01.1 Page 1080A
Nov 01/05



Inboard Trailing Edge Flap Aft Flap Assembly
 Figure 1 (Sheet 19)

57-53-25

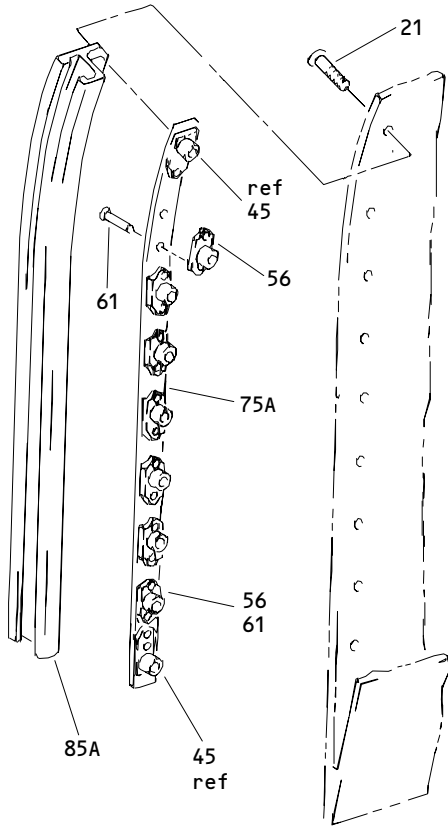
ILLUSTRATED PARTS LIST
 01.1 Page 1080B
 Nov 01/05



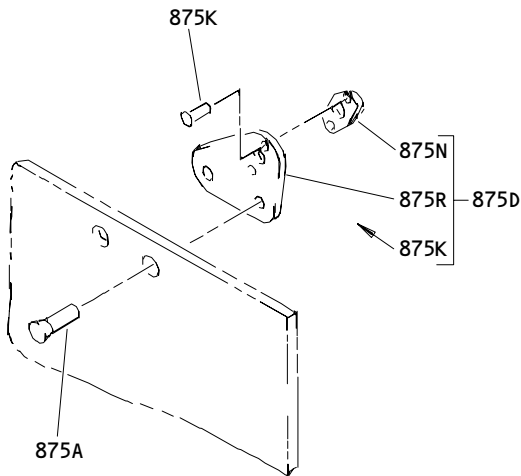
Inboard Trailing Edge Flap Aft Flap Assembly
Figure 1 (Sheet 20)

57-53-25

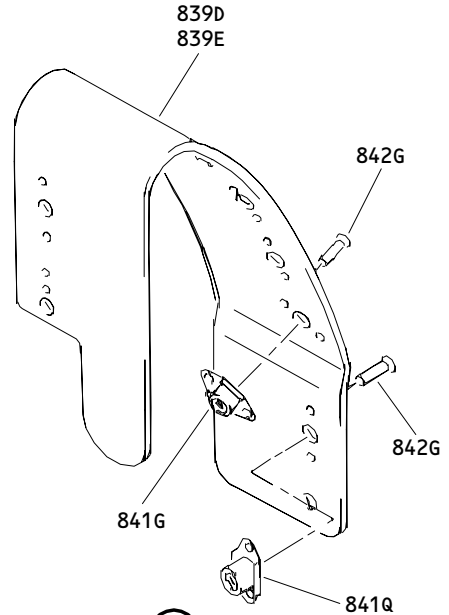
ILLUSTRATED PARTS LIST
01.1 Page 1080C
Nov 01/05



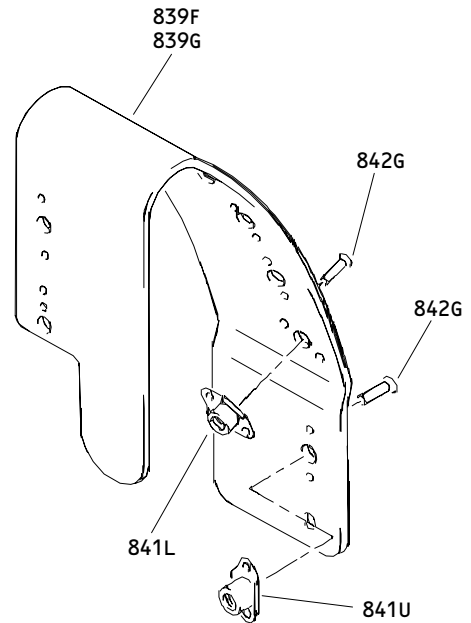
(AK)



(AQ)



(AN)

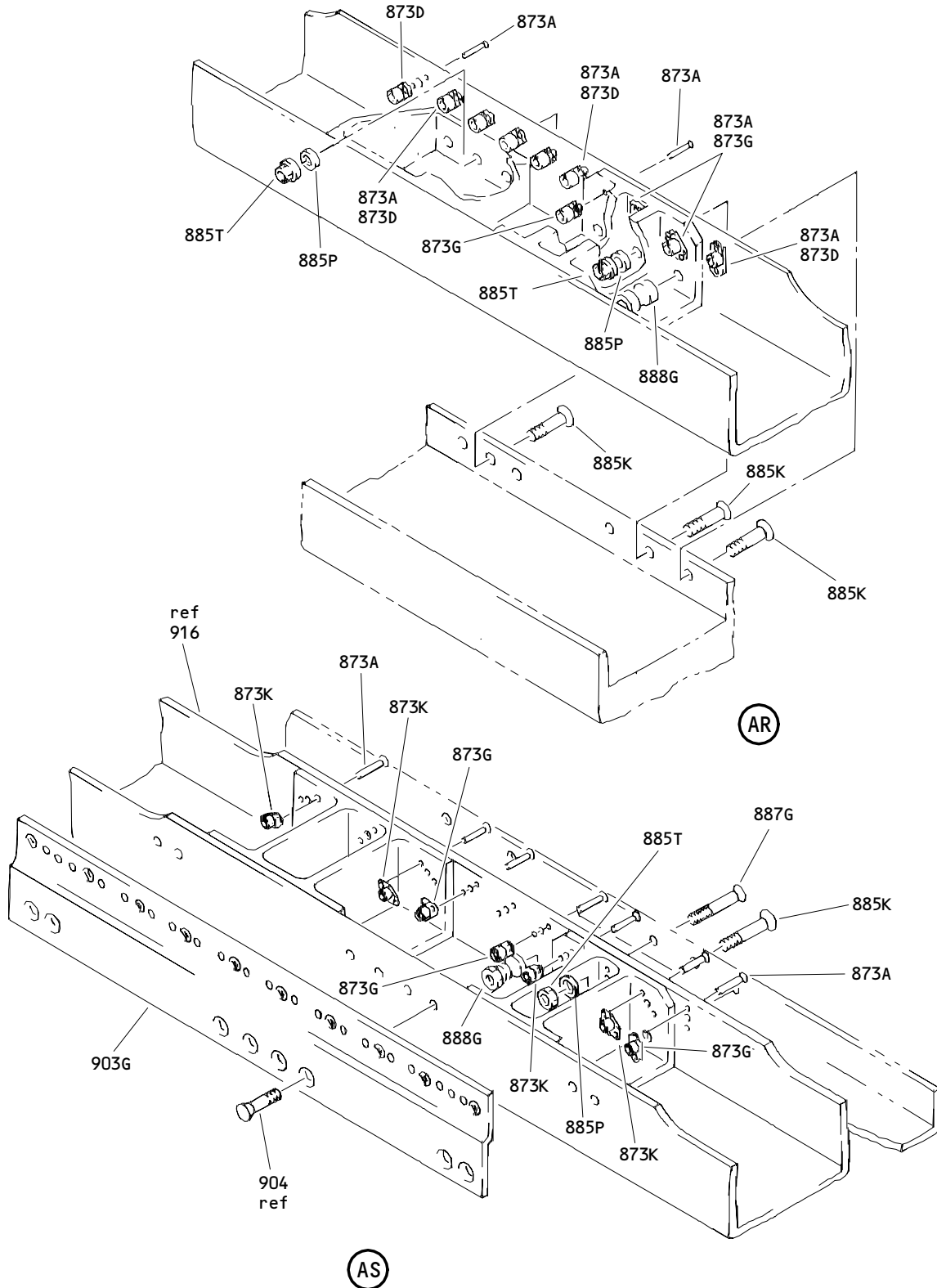


(AP)

Inboard Trailing Edge Flap Aft Flap Assembly
 Figure 1 (Sheet 21)

57-53-25

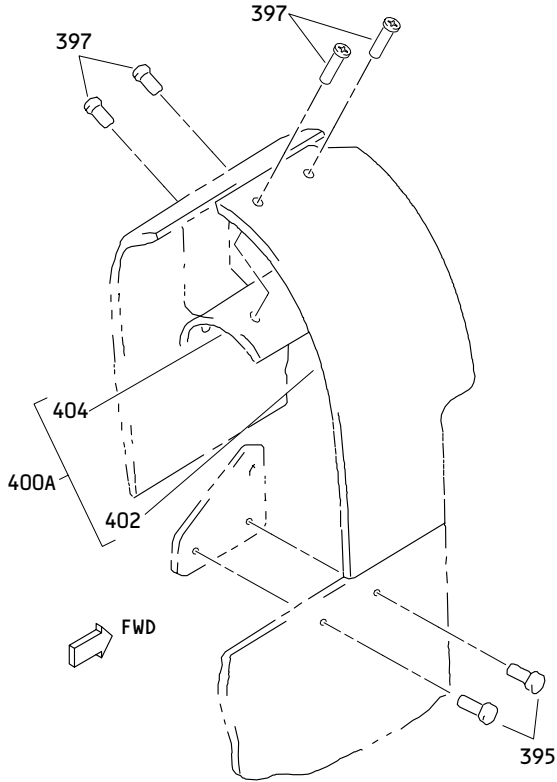
ILLUSTRATED PARTS LIST
 01.1 Page 1080D
 Nov 01/05



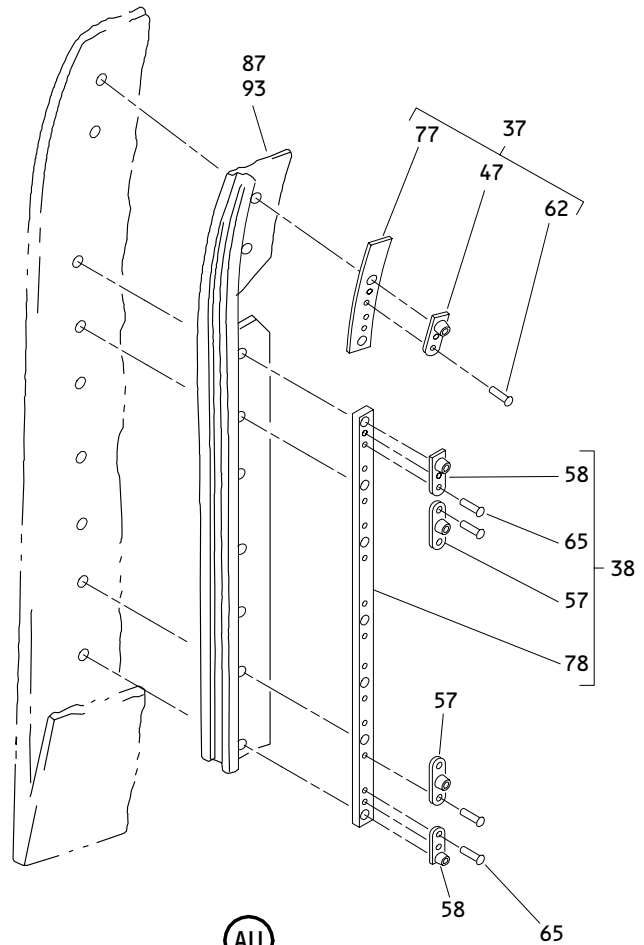
(AS)
Inboard Trailing Edge Flap Aft Flap Assembly
Figure 1 (Sheet 22)

57-53-25

ILLUSTRATED PARTS LIST
01.1 Page 1080E
Nov 01/05



(AT)



(AU)

Inboard Trailing Edge Flap Aft Flap Assembly
 Figure 1 (Sheet 23)

57-53-25

ILLUSTRATED PARTS LIST
 01.1 Page 1080F
 Nov 01/05

FIG. & ITEM	PART NO.	AIRLINE PART NUMBER	NOMENCLATURE 1234567	EFF CODE	QTY PER ASSY
01- -1	113T2301-1SP		FLAP ASSY-INBD TE FLAP AFT (LH) (PRE SB 767-57-0043)	A	RF
-1A	113T2301-5		FLAP ASSY-INBD TE FLAP AFT (VARIABLE) (LH) (PRE SB 767-57-0043)	C	RF
-1B	113T2301-7SP		FLAP ASSY-INBD TE FLAP AFT (LH) (PRE SB 767-57-0043) (FOR SPARES PROCURE 015T1415-85)	E	RF
-1C	113T2301-11		DELETED		
-1D	113T2301-15		FLAP ASSY-INBD TE FLAP AFT (VARIABLE) (LH)	G	RF
-1E	113T2301-17		FLAP ASSY-INBD TE FLAP AFT (VARIABLE) (LH) (PRE SB 767-57-0043)	J	RF
-1F	113T2301-19		BASIC DWG 113T2301-7SP FLAP ASSY-INBD TE FLAP AFT (VARIABLE) (LH) (PRE SB 767-57-0043)	L	RF
-1G	015T1415-69		BASIC DWG 113T2301-7SP FLAP ASSY-INBD TE FLAP AFT (LH) (POST SB 767-57-0043)	N	RF
-1H	015T1415-79		FLAP ASSY-INBD TE FLAP AFT (LH) (POST SB 767-57-0043)	P	RF
-1J	015T1415-81		FLAP ASSY-INBD TE FLAP AFT (LH) (POST SB 767-57-0043)	Q	RF
-1K	015T1415-83		FLAP ASSY-INBD TE FLAP AFT (LH) (POST SB 767-57-0043)	R	RF
-1L	015T1415-85		FLAP ASSY-INBD TE FLAP AFT (LH) (POST SB 767-57-0043)	S	RF
-1M	015T1415-93		FLAP ASSY-INBD TE FLAP AFT (LH) (POST SB 767-57-0043)	T	RF
-1N	015T1415-95		FLAP ASSY-INBD TE FLAP AFT (LH) (POST SB 767-57-0043)	U	RF
-1P	113T2301-25		FLAP ASSY-INBD TE FLAP AFT (VARIABLE) (LH)	AC	RF

57-53-25

ILLUSTRATED PARTS LIST
01.1 Page 1080G
Nov 01/05

FIG. & ITEM	PART NO.	AIRLINE PART NUMBER	NOMENCLATURE 1234567	EFF CODE	QTY PER ASSY
01- -1Q	113T2301-27		FLAP ASSY-INBD TE FLAP AFT (VARIABLE) (LH)	AE	RF
-1R	113T2301-29		FLAP ASSY-INBD TE FLAP AFT (VARIABLE) (LH)	AG	RF
-1S	113T2301-31SP		FLAP ASSY-INBD TE FLAP AFT (LH) (FOR DETAILS SEE FIG. 2)	AJ	RF
R -1T	113T2301-33SP		FLAP ASSY-INBD TE FLAP AFT (LH) (FOR DETAILS SEE FIG. 2)	AL	RF
R -1U	113T2301-35SP		FLAP ASSY-INBD TE FLAP AFT (LH) (FOR DETAILS SEE FIG. 2)	AN	RF
R -1V	113T2301-37SP		FLAP ASSY-INBD TE FLAP AFT (LH) (FOR DETAILS SEE FIG. 2)	AQ	RF
-5	113T2301-2SP		FLAP ASSY-INBD TE FLAP AFT (RH) (PRE SB 767-57-0043)	B	RF
-5A	113T2301-6		FLAP ASSY-INBD TE FLAP AFT (VARIABLE) (RH) (PRE SB 767-57-0043)	D	RF
-5B	113T2301-8SP		FLAP ASSY-INBD TE FLAP AFT (RH) (PRE SB 767-57-0043) (FOR SPARES PROCURE 015T1415-86)	F	RF
-5C	113T2301-12		DELETED		
-5D	113T2301-16		FLAP ASSY-INBD TE FLAP AFT (VARIABLE) (RH)	H	RF
-5E	113T2301-18		FLAP ASSY-INBD TE FLAP AFT (VARIABLE) (RH) (PRE SB 767-57-0043)	K	RF
-5F	113T2301-20		BASIC DWG 113T2301-8SP FLAP ASSY-INBD TE FLAP AFT (VARIABLE) (RH) (PRE SB 767-57-0043)	M	RF
-5G	015T1415-70		BASIC DWG 113T2301-8SP FLAP ASSY-INBD TE FLAP AFT (RH) (POST SB 767-57-0043)	V	RF
-5H	015T1415-80		FLAP ASSY-INBD TE FLAP AFT (RH) (POST SB 767-57-0043)	W	RF

57-53-25

 ILLUSTRATED PARTS LIST
 01.1 Page 1080H
 Nov 01/05

FIG. & ITEM	PART NO.	AIRLINE PART NUMBER	NOMENCLATURE 1234567	EFF CODE	QTY PER ASSY
01- -5J	015T1415-82		FLAP ASSY-INBD TE FLAP AFT (RH) (POST SB 767-57-0043)	X	RF
-5K	015T1415-84		FLAP ASSY-INBD TE FLAP AFT (RH) (POST SB 767-57-0043)	Y	RF
-5L	015T1415-86		FLAP ASSY-INBD TE FLAP AFT (RH) (POST SB 767-57-0043)	Z	RF
-5M	015T1415-94		FLAP ASSY-INBD TE FLAP AFT (RH) (POST SB 767-57-0043)	AA	RF
-5N	015T1415-96		FLAP ASSY-INBD TE FLAP AFT (RH) (POST SB 767-57-0043)	AB	RF
-5P	113T2301-26		FLAP ASSY-INBD TE FLAP AFT (VARIABLE) (RH)	AD	RF
-5Q	113T2301-28		FLAP ASSY-INBD TE FLAP AFT (VARIABLE) (RH)	AF	RF
-5R	113T2301-30		FLAP ASSY-INBD TE FLAP AFT (VARIABLE) (RH)	AH	RF
-5S	113T2301-32SP		FLAP ASSY-INBD TE FLAP AFT (RH)	AK	RF
R -5T	113T2301-34SP		(FOR DETAILS SEE FIG. 2) FLAP ASSY-INBD TE FLAP AFT (RH)	AM	RF
R -5U	113T2301-36SP		(FOR DETAILS SEE FIG. 2) FLAP ASSY-INBD TE FLAP AFT (RH)	AP	RF
R -5V	113T2301-38SP		(FOR DETAILS SEE FIG. 2) FLAP ASSY-INBD TE FLAP AFT (RH)	AR	RF
-7	113T2301-5003		.FLAP ASSY- (REPLS ITEM 7C) (REPLD BY ITEM 7D)	A,C	1
-7A	113T2301-5001		.FLAP ASSY- (REPLD BY ITEM 7B)	A,C, N-R	1
-7B	113T2301-5005		.FLAP ASSY- (REPLS ITEM 7A) (REPLD BY ITEM 7C)	A,C, N-R	1
-7C	113T2301-5007		.FLAP ASSY- (REPLS ITEM 7B) (REPLD BY ITEM 7)	A,C	1

57-53-25

ILLUSTRATED PARTS LIST
01.1 Page 1080I
Nov 01/05

FIG. & ITEM	PART NO.	AIRLINE PART NUMBER	NOMENCLATURE 1234567	EFF CODE	QTY PER ASSY
01- -7D	113T2301-5009		.FLAP ASSY- (REPLS ITEM 7)	A,C	1
-7E	113T2301-5011		.FLAP ASSY- (LIMITED)	E,G,J ,L, S-U,A C,AE, AG	1
-7F	113T2301-13		DELETED		
-7G	113T2301-5013		.FLAP ASSY- (LIMITED)	E,G,J ,L, S-U,A C,AE, AG	1
-7H	113T2301-5015		.FLAP ASSY- (LIMITED)	E,G,J ,L, S-U,A C,AE, AG	1
-7J	113T2301-5017		.FLAP ASSY- (LIMITED)	E,G,J ,L,AC ,AE,A G	1
-7K	113T2301-5019		.FLAP ASSY- (LIMITED)	E,G,J ,L,AC ,AE,A G	1
-8	113T2301-5004		.FLAP ASSY- (REPLS ITEM 8C) (REPLD BY ITEM 8D)	B,D	1
-8A	113T2301-5002		.FLAP ASSY- (REPLD BY ITEM 8B)	B,D, V-Y	1
-8B	113T2301-5006		.FLAP ASSY- (REPLS ITEM 8A) (REPLD BY ITEM 8C)	B,D, V-Y	1
-8C	113T2301-5008		.FLAP ASSY- (REPLS ITEM 8B) (REPLD BY ITEM 7)	B,D	1
-8D	113T2301-5010		.FLAP ASSY- (REPLS ITEM 8)	B,D	1
-8E	113T2301-5012		.FLAP ASSY- (LIMITED)	F,H,K ,M, Z-AB, AD,AF ,AH	1
-8F	113T2301-14		DELETED		

57-53-25

 ILLUSTRATED PARTS LIST
 01.1 Page 1080J
 Nov 01/05

FIG. & ITEM	PART NO.	AIRLINE PART NUMBER	NOMENCLATURE 1234567	EFF CODE	QTY PER ASSY
01- -8G	113T2301-5014		.FLAP ASSY- (LIMITED)	F,H,K ,M, Z-AB, AD,AF ,AH	1
-8H	113T2301-5016		.FLAP ASSY- (LIMITED)	F,H,K ,M, Z-AB, AD,AF ,AH	1
-8J	113T2301-5018		.FLAP ASSY- (LIMITED)	F,H,K ,M,AD ,AF,A H	1
-8K	113T2301-5020		.FLAP ASSY- (LIMITED)	F,H,K ,M,AD ,AF,A H	1
-10	113T2203-3		..SEAL INSTL-INBD	A,C, N-R	1
-10A	113T2203-27		..SEAL INSTL-INBD (USED ON ITEMS 7E, 7G, 7H, 7J)	E,G,J ,L, S-U,A C,AE, AG	1
-10B	113T2203-39		DELETED		
-10C	113T2203-51		..SEAL INSTL-INBD (USED ON ITEM 7K)	E,G,J ,L, S-U,A C,AE, AG	1
-15	113T2203-4		..SEAL INSTL-INBD	B,D, V-Y	1
-15A	113T2203-28		..SEAL INSTL-INBD (USED ON ITEMS 8E, 8G, 8H, 8J)	F,H,K ,M, Z-AB, AD,AF ,AH	1
-15B	113T2203-40		DELETED		
-15C	113T2203-52		..SEAL INSTL-INBD (USED ON ITEM 8K)	F,H,K ,M, Z-AB, AD,AF ,AH	1

57-53-25

FIG. & ITEM	PART NO.	AIRLINE PART NUMBER	NOMENCLATURE 1234567	EFF CODE	QTY PER ASSY
01-20	BACB30NN3K7		...BOLT	A-D, N-R, V-Y	17
21	BACB30NN3K7		...BOLT	E-M, S-U, Z-AH	18
25	5073-322		DELETED		
25J	5673-322		DELETED		
R 25K	CG3824		...PLUG-END (V25099) (SPEC 10-60754-322) (USED ON ITEMS 10, 10A, 15, 15A) (OPT 5673-322 (V11960))	A-AH	2
30	113T2203-21		...STRAP ASSY-LWR PNL	A-D, N-R, V-Y	1
-30A	113T2203-33		...STRAP ASSY-LWR PNL	E-M, S-U, Z-AH	1
-30B	113T2203-41		DELETED		
35	113T2203-23		...STRAP ASSY-UPR PNL	A-D, N-R, V-Y	1
-35A	113T2203-35		DELETED		
-35B	113T2203-42		DELETED		
37	113T2203-48		...STRAP ASSY-UPR PNL	E-M, S-U, Z-AH	1
38	113T2203-45		...STRAP ASSY-UPR PNL	E-M, S-U, Z-AH	1

57-53-25

 ILLUSTRATED PARTS LIST
 01.1 Page 1080L
 Nov 01/05

FIG. & ITEM	PART NO.	AIRLINE PART NUMBER	NOMENCLATURE 1234567	EFF CODE	QTY PER ASSY
01-40	NS103194-02-4	NUTPLATE- (V80539) (SPEC BACN10KE3E4) (OPT F51752-3-4 (V15653)) (OPT RMF9216-4-3 (V72962)) (OPT BRFR120A3-4 (V52828)) (USED ON ITEMS 30, 30A)	A-AH	4
45	NS103194-02-4	NUTPLATE- (V80539) (SPEC BACN10KE3E4) (OPT F51752-3-4 (V15653)) (OPT RMF9216-4-3 (V72962)) (OPT BRFR120A3-4 (V52828)) (USED ON ITEM 35)	A-D, N-R, V-Y	2
47	NS103194-02-4	NUTPLATE- (V80539) (SPEC BACN10KE3E4) (OPT F51752-3-4 (V15653)) (OPT RMF9216-4-3 (V72962)) (OPT BRFR120A3-4 (V52828)) (USED ON ITEM 37)	E-M, S-U, Z-AH	2

57-53-25

FIG. & ITEM	PART NO.	AIRLINE PART NUMBER	NOMENCLATURE 1234567	EFF CODE	QTY PER ASSY
01-50	NS103191-02-4	NUTPLATE- (V80539) (SPEC BACN10KE3B4) (OPT F51750-3-4 (V15653)) (OPT RMF9213-4-3 (V72962)) (OPT BRFR220A3-4 (V52828)) (USED ON ITEMS 30, 30A)	A-AH	5
55	NS103191-02-4	NUTPLATE- (V80539) (SPEC BACN10KE3B4) (OPT F51750-3-4 (V15653)) (OPT RMF9213-4-3 (V72962)) (OPT BRFR220A3-4 (V52828)) (USED ON ITEMS 35)	A-D, N-R, V-Y	6
56	NS103191-02-4		DELETED		
57	NS103191-02-4	NUTPLATE- (V80539) (SPEC BACN10KE3B4) (OPT F51750-3-4 (V15653)) (OPT RMF9213-4-3 (V72962)) (OPT BRFR220A3-4 (V52828)) (USED ON ITEM 38)	E-M, S-U, Z-AH	5

57-53-25

ILLUSTRATED PARTS LIST
01.1 Page 1080N
Nov 01/05

FIG. & ITEM	PART NO.	AIRLINE PART NUMBER	NOMENCLATURE 1234567	EFF CODE	QTY PER ASSY
01-58	NS103194-02-4	NUTPLATE- (V80539) (SPEC BACN10KE3E4) (OPT F51752-3-4 (V15653)) (OPT RMF9216-4-3 (V72962)) (OPT BRFR120A3-4 (V52828)) (USED ON ITEM 38) ATTACHING PARTS	E-M, S-U, Z-AH	2
60	BACR15BA3AD	RIVET- (SIZE DETERMINE ON INST)	A-D, N-R, V-Y	34
61	BACR15BA3AD	RIVET- (SIZE DETERMINE ON INST) (USED ON ITEM 30A)	E-M, S-U, Z-AH	18
62	BACR15BA3AD	RIVET- (SIZE DETERMINE ON INST) (USED ON ITEM 37)	E-M, S-U, Z-AH	4
65	BACR15BA3AD	RIVET- (SIZE DETERMINE ON INST) (USED ON ITEM 38) -----*-----	E-M, S-U, Z-AH	14
70	113T2203-22	STRAP- (USED ON ITEM 30)	A-D, N-R, V-Y	1
-70A	113T2203-34	STRAP- (USED ON ITEM 30A)	E-M, S-U, Z-AH	1
75	113T2203-24	STRAP- (USED ON ITEM 35)	A-D, N-R, V-Y	1
-75A	113T2203-36		DELETED		
77	113T2203-49	STRAP- (USED ON ITEM 37)	E-M, S-U, Z-AH	1
78	113T2203-46	STRAP- (USED ON ITEM 38)	E-M, S-U, Z-AH	1

57-53-25

FIG. & ITEM	PART NO.	AIRLINE PART NUMBER	NOMENCLATURE 1234567	EFF CODE	QTY PER ASSY
01-80	113T2203-17		...RETAINER-SEAL	A,C, N-R	1
-80A	113T2203-18		DELETED		
-80B	113T2203-29		...RETAINER-SEAL	E,G,J ,L, S-U,A C,AE, AG	1
-81	113T2203-18		...RETAINER-SEAL	B,D, V-Y	1
-81A	113T2203-30		...RETAINER-SEAL	F,H,K ,M, Z-AB, AD,AF ,AH	1
85	113T2203-19		...RETAINER-SEAL	A,C, N-R	1
-85A	113T2203-31		DELETED		
87	113T2203-43		...RETAINER-SEAL	E,G,J ,L, S-U,A C,AE, AG	1
-90	113T2203-20		...RETAINER-SEAL	B,D, V-Y	1
-90A	113T2203-32		DELETED		
93	113T2203-44		...RETAINER-SEAL	F,H,K ,M, Z-AB, AD,AF ,AH	1

57-53-25

 ILLUSTRATED PARTS LIST
 01.1 Page 1080P
 Nov 01/05

FIG. & ITEM	PART NO.	AIRLINE PART NUMBER	NOMENCLATURE 1234567	EFF CODE	QTY PER ASSY
01-95	113T2203-15		...SEAL-LWR PNL (MFD FROM EXTR RUBBER F25.01 10-60754-321 12.50 IN.) (USED ON ITEMS 10, 10A, 15, 15A)	A-AH	1
-95A	113T2203-53		...SEAL-LWR PNL (MFD FROM EXTR RUBBER F25.01 10-60754-93 12.50 IN) (USED ON ITEMS 10C, 15C)	E-M, S-U, Z-AH	1
100	113T2203-16		...SEAL-UPR PNL (MFD FROM EXTR RUBBER F25.01 10-60754-321 12.50 IN.)	A-D, N-R, V-Y	1
-100A	113T2203-37		...SEAL-UPR PNL (MFD FROM EXTR RUBBER F25.01 10-60754-321 13.70 IN.) (USED ON ITEMS 10A, 15A)	E-M, S-U, Z-AH	1
-100B	113T2203-54		...SEAL-UPR PNL (MFD FROM EXTR RUBBER F25.01 10-60754-93 13.70 IN) (USED ON ITEMS 10C, 15C) (FOR SPARES PROCURE 113T2203Y54)	E-M, S-U, Z-AH	1
-105	113T2203-1		..SEAL INSTL-OUTBD	A,C,E ,G,J, L,N-U ,AC,A E,AG	1

57-53-25

FIG. & ITEM	PART NO.	AIRLINE PART NUMBER	NOMENCLATURE 1234567	EFF CODE	QTY PER ASSY
01- -110	113T2203-2		..SEAL INSTL-OUTBD	B,D,F ,H,K, M,V-A B,AD, AF,AH	1
115	BACB30NN3K7		...BOLT	A-AH	21
120	113T2203-25		...PLUG-END	A-AH	2
125	113T2203-7		...STRAP ASSY-LWR PNL	A-AH	1
130	113T2203-11		...STRAP ASSY-UPR PNL	A-AH	1
135	NS103194-02-4	NUTPLATE- (V80539) (SPEC BACN10KE3E4) (OPT F51752-3-4 (V15653)) (OPT RMF9216-4-3 (V72962)) (OPT BRFR120A3-4 (V52828)) (USED ON ITEM 125)	A-AH	2
140	NS103194-02-4	NUTPLATE- (V80539) (SPEC BACN10KE3E4) (OPT F51752-3-4 (V15653)) (OPT RMF9216-4-3 (V72962)) (OPT BRFR120A3-4 (V52828)) (USED ON ITEM 130)	A-AH	2
145	NS103191-02-4	NUTPLATE- (V80539) (SPEC BACN10KE3B4) (OPT F51750-3-4 (V15653)) (OPT RMF9213-4-3 (V72962)) (OPT BRFR220A3-4 (V52828)) (USED ON ITEM 125)	A-AH	8

57-53-25

 ILLUSTRATED PARTS LIST
 01.1 Page 1080R
 Nov 01/05

FIG. & ITEM	PART NO.	AIRLINE PART NUMBER	NOMENCLATURE 1234567	EFF CODE	QTY PER ASSY
01-150	NS103191-02-4	NUTPLATE- (V80539) (SPEC BACN10KE3B4) (OPT F51750-3-4 (V15653)) (OPT RMF9213-4-3 (V72962)) (OPT BRFR220A3-4 (V52828)) (USED ON ITEM 130) ATTACHING PARTS	A-AH	9
155	BACR15BA3AD	RIVET- (SIZE DETERMINE ON INST) -----*-----	A-AH	42
165	113T2203-8	STRAP- (USED ON ITEM 125)	A-AH	1
170	113T2203-12	STRAP- (USED ON ITEM 130)	A-AH	1
175	113T2203-9		...RETAINER-SEAL	A-AH	1
180	113T2203-13		...RETAINER-SEAL	A,C,E ,G,J, L,N-U ,AC,A E,AG	1
-180A	113T2203-14		...RETAINER-SEAL	B,D,F ,H,K, M,V-A B,AD, AF,AH	1
185	113T2203-5		...SEAL-LWR PNL (MFD FROM EXTR RUBBER F25.01 10-60754-288 15.50 IN.)	A-AH	1
190	113T2203-6		...SEAL-UPR PNL (MFD FROM EXTR RUBBER F25.01 10-60754-288 15.50 IN.)	A-AH	1

57-53-25

FIG. & ITEM	PART NO.	AIRLINE PART NUMBER	NOMENCLATURE 1234567	EFF CODE	QTY PER ASSY
01-					
195	113T2108-3		..BOLT ASSY-SPECIAL	A-AH	2
197	MS15001-1		...FITTING	A-AH	1
199	113T2108-4		...BOLT-SPECIAL	A-AH	1
200	113T2347-1		..SPACER	A-AH	2
205	113T2106-4		..WASHER-SPECIAL (USED ON ITEMS 7, 7A, 7B, 7C, 7D, 7E, 7G, 7H, 7J, 8, 8A, 8B, 8C, 8D, 8E, 8G, 8H, 8J)	A-AH	4
-205A	113T2106-15		..WASHER-SPECIAL (USED ON ITEMS 7K, 8K)	E-M,A C-AH	4
210	BACW10BP8DP		..WASHER	A-AH	4
215	113T2106-2		..NUT-SPECIAL (113T2106-2 USED WITH 113T2106-4 AND MS20995NC41 IS I/W BACN10JC8CM USED WITH 113T2106-15) (USED ON ITEMS 7, 7A, 7B, 7C, 7D, 7E, 7G, 7H, 7J, 8, 8A, 8B, 8C, 8D, 8E, 8G, 8H, 8J)	A-AH	4
-215A	H01-8BAC		..NUT- (V15653) (SPEC BACN10JC8CM) (OPT BMN4122C1D2-8 (V85495)) (OPT 109LH9074-8 (V72962)) (OPT 69235-820CM (V56878)) (OPT BMN4122C1D2-8 (V97928)) (113T2106-2 USED WITH 113T2106-4 AND MS20995NC41 IS I/W BACN10JC8CM USED WITH 113T2106-15) (USED ON ITEMS 7K, 8K)	E-M,A C-AH	4

57-53-25

 ILLUSTRATED PARTS LIST
 01.1 Page 1080T
 Nov 01/05

FIG. & ITEM	PART NO.	AIRLINE PART NUMBER	NOMENCLATURE 1234567	EFF CODE	QTY PER ASSY
01-					
220	CF2582		DELETED		
220A	CC55133		DELETED		
R 220B	CR1XBC189		..BEARING-ROLLER (V07484) (SPEC 60B00178-651)	A-AH	2
225	113T2316-1		..GUIDE-TRACK	A-AH	2
230	ATF8		..BEARING- (V60380) (SPEC BACB10ET08) (OPT 8AFC1021 (V92563)) (OPT YAF08B (V07484))	A-AH	2
235	113T2311-1		..SKIN-NOSE	A,C,E ,G,J, L,N-U ,AC,A E,AG	1
-240	113T2311-2		..SKIN-NOSE	B,D,F ,H,K, M,V-A B,AD, AF,AH	1
245	BACB30NN3K7		ATTACHING PARTS ..BOLT	A-AH	99
270	BACS40R09B11F		..SHIM -----*-----	A-AH	AR
285	113T2311-3		..SKIN-NOSE (USED ON ITEM 7A)	A,C, N-R	1
-285A	113T2311-11		..SKIN-NOSE (USED ON ITEMS 7, 7B, 7C, 7D)	A,C, N-R	1

57-53-25

FIG. & ITEM	PART NO.	AIRLINE PART NUMBER	NOMENCLATURE 1234567	EFF CODE	QTY PER ASSY
01- -290	113T2311-4		..SKIN-NOSE (USED ON ITEM 8A)	B,D, V-Y	1
-290A	113T2311-12		..SKIN-NOSE (USED ON ITEMS 8, 8B, 8C, 8D)	B,D, V-Y	1
295	BACB30NN3K7		ATTACHING PARTS ..BOLT	A-D, N-R, V-Y	26
298	BACB30NN3K5		-----*----- ..BOLT- (USED ON ITEMS 7E, 7H, 7J, 7K, 8E, 8H, 8J, 8K)	E-M, S-U, Z-AH	14
-298A	NAS1739-6E5		..RIVET- (USED ON ITEMS 7G, 8G)	E-M, S-U, Z-AH	14
300	BACB30NN3K5		..BOLT	E-M, S-U, Z-AH	20
301 301A	BACB30VF3K6 BACB30VF3K4		DELETED ..BOLT	E-M, S-U, Z-AH	20
302 302A	AN960JD10 AN960JD10LL		DELETED ..WASHER	E-M, S-U, Z-AH	20
303 303A	MS21042L3 H52732-3CD		DELETED ..NUT- (V15653) (SPEC BACN10YR3CD) (OPT PLH53CD (V62554))	E-M, S-U, Z-AH	20

57-53-25

 ILLUSTRATED PARTS LIST
 01.1 Page 1080V
 Nov 01/05

FIG. & ITEM	PART NO.	AIRLINE PART NUMBER	NOMENCLATURE 1234567	EFF CODE	QTY PER ASSY
01-304	113T2311-25		..SKIN-NOSE (USED ON ITEMS 7E, 7H, 7J, 7K)	E,G,J ,L, S-U,A C,AE, AG	1
-304A	113T2311-41		..SKIN-NOSE (USED ON ITEM 7G)	E,G,J ,L, S-U,A C,AE, AG	1
-305	113T2311-26		..SKIN-NOSE (USED ON ITEMS 8E, 8H, 8J, 8K)	F,H,K ,M, Z-AB, AD,AF ,AH	1
-305A	113T2311-42		..SKIN-NOSE (USED ON ITEM 8G)	F,H,K ,M, Z-AB, AD,AF ,AH	1
306	113T2311-27		..SKIN-NOSE (USED ON ITEMS 7E, 7H, 7J, 7K)	E,G,J ,L, S-U,A C,AE, AG	1
-306A	113T2311-43		..SKIN-NOSE (USED ON ITEM 7E)	E,G,J ,L, S-U,A C,AE, AG	1
-307	113T2311-28		..SKIN-NOSE (USED ON ITEMS 8E, 8H, 8J, 8K)	F,H,K ,M, Z-AB, AD,AF ,AH	1
-307A	113T2311-44		..SKIN-NOSE (USED ON ITEM 8G)	F,H,K ,M, Z-AB, AD,AF ,AH	1

57-53-25

ILLUSTRATED PARTS LIST
01.1 Page 1080W
Nov 01/05

FIG. & ITEM	PART NO.	AIRLINE PART NUMBER	NOMENCLATURE 1234567	EFF CODE	QTY PER ASSY
01-308	10-60754-787		DELETED		
-308A	5673-787		DELETED		
308B	SF15-103-787		..SEAL- (V50744) (SPEC 10-60754-787) (OPT 5673-787 (V11960))	E,G,J ,L, S-U,A C,AE, AG	1
-309	10-60754-788		DELETED		
-309A	5673-788		DELETED		
-309B	SF15-103-788		..SEAL- (V50744) (SPEC 10-60754-788) (OPT 5673-788 (V11960))	F,H,K ,M, Z-AB, AD,AF ,AH	1
310	10-60754-789		DELETED		
R 310A	5673-789		..SEAL- (V11960) (SPEC 10-60754-789) (OPT SF15-103-789 (V50744))	E,G,J ,L	1
310B	SF15-103-789		DELETED		
-311	10-60754-790		DELETED		
-311A	5673-790		DELETED		
-311B	SF15-103-790		..SEAL- (V50744) (SPEC 10-60754-790) (OPT 5673-790 (V11960))	F,H,K ,M, Z-AB, AD,AF ,AH	1
312	113T2311-33		..RETAINER-SEAL	E,G,J ,L, S-U,A C,AE, AG	1

57-53-25

 ILLUSTRATED PARTS LIST
 01.1 Page 1080X
 Nov 01/05

FIG. & ITEM	PART NO.	AIRLINE PART NUMBER	NOMENCLATURE 1234567	EFF CODE	QTY PER ASSY
01- -313	113T2311-34		..RETAINER-SEAL	F,H,K ,M, Z-AB, AD,AF ,AH	1
314	113T2311-35		..RETAINER-SEAL	E,G,J ,L, S-U,A C,AE, AG	1
-315	113T2311-36		..RETAINER-SEAL	F,H,K ,M, Z-AB, AD,AF ,AH	1
325	113T2311-5		..SKIN-NOSE	A,C,E ,G,J, L,N-U ,AC,A E,AG	1
-330	113T2311-6		..SKIN-NOSE	B,D,F ,H,K, M,V-A B,AD, AF,AH	1
335	BACB30NN3K7		ATTACHING PARTS ..BOLT	A-AH	123
360	BACS40R09B11F		..SHIM	A-AH	AR
			-----*-----		
365	113T2311-7		..SKIN-NOSE (USED ON ITEM 7A)	A,C, N-R	1
-365A	113T2311-13		..SKIN-NOSE (USED ON ITEMS 7, 7B, 7C, 7D)	A,C, N-R	1

57-53-25

FIG. & ITEM	PART NO.	AIRLINE PART NUMBER	NOMENCLATURE 1234567	EFF CODE	QTY PER ASSY
01- -370	113T2311-8		..SKIN-NOSE (USED ON ITEM 8A)	B,D, V-Y	1
-370A	113T2311-14		..SKIN-NOSE (USED ON ITEMS 8, 8B, 8C, 8D)	B,D, V-Y	1
375	BACB30NN3K7		ATTACHING PARTS ..BOLT	A-D, N-R, V-Y	22
376	BACB30NN3K7		-----*----- ..BOLT	E-M, S-U, Z-AH	18
376L	BACB30NN3K7		..BOLT- (USED ON ITEMS 7E, 7H, 7J, 7K, 8E, 8H, 8J, 8K)	E-M, S-U, Z-AH	13
-376M	NAS1739-6E6		..RIVET- (USED ON ITEMS 7G, 8G)	E-M, S-U, Z-AH	13
376S	BACB30NN3K7		..BOLT- (USED ON ITEMS 7E, 7H, 7J, 7K, 8E, 8H, 8J, 8K)	E-M, S-U, Z-AH	1
377 377A	BACB30VF3K6 BACB30VF3K4		DELETED ..BOLT	E-M, S-U, Z-AH	21
378 378A	AN960JD10 AN960JD10LL		DELETED ..WASHER	E-M, S-U, Z-AH	21
379 380	MS21042L3 113T2311-21		DELETED ..SKIN-NOSE (USED ON ITEMS 7E, 7H, 7J, 7K)	E,G,J ,L, S-U,A C,AE, AG	1

57-53-25

FIG. & ITEM	PART NO.	AIRLINE PART NUMBER	NOMENCLATURE 1234567	EFF CODE	QTY PER ASSY
01- -380A	113T2311-37		..SKIN-NOSE (USED ON ITEM 7G)	E,G,J ,L, S-U,A C,AE, AG	1
-381	113T2311-22		..SKIN-NOSE (USED ON ITEMS 8E, 8H, 8J, 8K)	F,H,K ,M, Z-AB, AD,AF ,AH	1
-381A	113T2311-38		..SKIN-NOSE (USED ON ITEM 8G)	F,H,K ,M, Z-AB, AD,AF ,AH	1
382	113T2311-23		..SKIN-NOSE (USED ON ITEMS 7E, 7H, 7J, 7K)	E,G,J ,L, S-U,A C,AE, AG	1
-382A	113T2311-39		..SKIN-NOSE (USED ON ITEM 7G)	E,G,J ,L, S-U,A C,AE, AG	1
-383	113T2311-24		..SKIN-NOSE (USED ON ITEMS 8E, 8H, 8J, 8K)	F,H,K ,M, Z-AB, AD,AF ,AH	1
-383A	113T2311-40		..SKIN-NOSE (USED ON ITEM 8G)	F,H,K ,M, Z-AB, AD,AF ,AH	1
384 384A	10-60754-777 5673-777		DELETED ..SEAL- (V11960) (SPEC 10-60754-777)	E,G,J ,L, S-U,A C,AE, AG	1

57-53-25

FIG. & ITEM	PART NO.	AIRLINE PART NUMBER	NOMENCLATURE 1234567	EFF CODE	QTY PER ASSY
01- -385 -385A	10-60754-778 5673-778		DELETED ..SEAL- (V11960) (SPEC 10-60754-778)	F,H,K ,M, Z-AB, AD,AF ,AH	1
386 386A 386B	10-60754-779 5673-779 800-779		DELETED DELETED ..SEAL- (V07096) (SPEC 10-60754-779) (OPT 5673-779 (V11960))	E,G,J ,L, S-U,A C,AE, AG	1
-387 -387A -387B	10-60754-780 5673-780 800-780		DELETED DELETED ..SEAL- (V07096) (SPEC 10-60754-780) (OPT 5673-780 (V11960)) (OPT S13117-780 (V75345)) (OPT SF15-103-780 (V50744))	F,H,K ,M, Z-AB, AD,AF ,AH	1
388	113T2311-29		..RETAINER-SEAL	E,G,J ,L, S-U,A C,AE, AG	1

57-53-25

 ILLUSTRATED PARTS LIST
 01.1 Page 1082
 Nov 01/05

FIG. & ITEM	PART NO.	AIRLINE PART NUMBER	NOMENCLATURE 1234567	EFF CODE	QTY PER ASSY
01- -389	113T2311-30		..RETAINER-SEAL	F,H,K ,M, Z-AB, AD,AF ,AH	1
390	113T2311-31		..RETAINER-SEAL	E,G,J ,L, S-U,A C,AE, AG	1
-391	113T2311-32		..RETAINER-SEAL	F,H,K ,M, Z-AB, AD,AF ,AH	1
395	BACR15CE6KE		..RIVET- (SIZE DETERMINE ON INST)	E-M, S-U, Z-AH	2
397	BACR15CE5KE		..RIVET- (SIZE DETERMINE ON INST)	E-M, S-U, Z-AH	4
400	113T2311-9		..SKIN-NOSE	A,C, N-R	1
400A	113T2311-15		..SKIN ASSY-NOSE (USED ON ITEM 7G)	E,G,J ,L, S-U,A C,AE, AG	1
-400B	113T2311-45		..SKIN-NOSE (USED ON ITEMS 7E, 7H, 7J, 7K)	E,G,J ,L, S-U,A C,AE, AG	1

57-53-25

FIG. & ITEM	PART NO.	AIRLINE PART NUMBER	NOMENCLATURE 1234567	EFF CODE	QTY PER ASSY
01-402	113T2311-17		...SKIN-NOSE (USED ON ITEM 400A)	E,G,J ,L, S-U,A C,AE, AG	1
404	113T2311-19		...STRAP-SPLICE (USED ON ITEM 400A)	E,G,J ,L, S-U,A C,AE, AG	1
-405	113T2311-10		..SKIN-NOSE	B,D, V-Y	1
-405A	113T2311-16		..SKIN ASSY-NOSE (USED ON ITEM 8G)	F,H,K ,M, Z-AB, AD,AF ,AH	1
-405B	113T2311-46		..SKIN-NOSE (USED ON ITEMS 8E, 8H, 8J, 8K)	F,H,K ,M, Z-AB, AD,AF ,AH	1
-407	113T2311-18		...SKIN-NOSE (USED ON ITEM 405A)	F,H,K ,M, Z-AB, AD,AF ,AH	1
-409	113T2311-20		...STRAP-SPLICE (USED ON ITEM 405A)	F,H,K ,M, Z-AB, AD,AF ,AH	1
410	BACB30NN3K7		..BOLT	A-AH	155
430	BACS40R09B18F		..SHIM- (USED ON ITEMS 7A, 7B, 7K, 8A, 8B, 8K)	A-AH	AR
-430A	BACS40R09B13F		..SHIM- (USED ON ITEMS 7, 7C, 7D, 7H, 7J, 8, 8C, 8D, 8H, 8J)	A-M, S-U, Z-AH	AR

57-53-25

 ILLUSTRATED PARTS LIST
 01.1 Page 1082B
 Nov 01/05

FIG. & ITEM	PART NO.	AIRLINE PART NUMBER	NOMENCLATURE 1234567	EFF CODE	QTY PER ASSY
01-					
440	BACS40R09B11F		..SHIM	A-AH	6
445	BACS40R09B09F		..SHIM	A-AH	AR
460	BACB30MR4K17		..BOLT	A-AH	4
465	BACW10BP4CD		..WASHER	A-AH	4
470	BACW10BP4DP		..WASHER	A-AH	4
475	NAS1805-4		..NUT	A-AH	4
480	BACS40R12D33F		..SHIM	A-AH	1
485	BACS40R11D37F		..SHIM	A-AH	1
490	HL13VAZ8-40		..BOLT- (V56878) (SPEC BACB30NY8K40) (OPT HL13VAZ8-40 (V73197)) (OPT HL13VAZ8-40 (V92215)) (OPT HL13VAZ8-40 (V97928)) (OPT L801-8K40 (V06725)) (OPT HL13VAZ8-40 (V08524)) (OPT HL13V40 (V06725)) (OPT L801-8K40 (V0PTK6))	A-AH	2
492	HL13VAZ8-37		..BOLT- (V56878) (SPEC BACB30NY8K37) (OPT HL13VAZ8-37 (V73197)) (OPT HL13VAZ8-37 (V92215)) (OPT HL13VAZ8-37 (V97928)) (OPT L801-8K37 (V06725)) (OPT HL13VAZ8-37 (V08524)) (OPT HL13V37 (V06725)) (OPT HL13VAZ8-37 (V17446))	A-AH	2

57-53-25

FIG. & ITEM	PART NO.	AIRLINE PART NUMBER	NOMENCLATURE 1234567	EFF CODE	QTY PER ASSY
01-495	HL1187-8		..COLLAR- (V5M902) (SPEC BACC30X8) (OPT HL87-8 (V73197)) (OPT HL87-8 (V92215)) (OPT HL1187-8 (V56878)) (OPT HL1187-8 (V92215)) (OPT HL87-8 (V56878)) (OPT HL1187-8 (V73197))	A-AH	4
497	BACS40R22D34F		..SHIM	A-AH	1
506	113T2344-5		..FITTING ASSY	A,C,E ,G,J, L,N-U ,AC,A E,AG	1
-508	113T2344-6		..FITTING ASSY	B,D,F ,H,K, M,V-A B,AD, AF,AH	1
510	BACB30LE5U20		ATTACHING PARTS ..BOLT	A-AH	1

57-53-25

 ILLUSTRATED PARTS LIST
 01.1 Page 1082D
 Nov 01/05

FIG. & ITEM	PART NO.	AIRLINE PART NUMBER	NOMENCLATURE 1234567	EFF CODE	QTY PER ASSY
01-					
512	BACW10BP5CD		..WASHER	A-AH	1
514	BACW10BP5APU		..WASHER	A-AH	1
516	BMN5024CPD5		..NUT- (V08524) (SPEC BACN10HR5CS) (OPT 67832AS524 (V56878)) (OPT 67832AS524 (V56878)) (OPT BMN5024CPD3-5 (V97928)) (OPT BH00303-5 (V27238)) (OPT BMN5024CPD35 (V97928)) (OPT BH003035 (V27238)) (OPT BMN5024CPD35 (V97928)) (OPT CR59085 (V62554)) (OPT 109LH90315 (V72962)) (OPT 67832AS5 (V56878)) (OPT BMN10HRRCPD3-5 (V97928))	A-AH	1
518	BACB28AK05-093		..BUSHING -----*	A-AH	1
520	113T2104-10		...BUSHING	A-AH	1
522	113T2104-11		...BUSHING	A-AH	1
524	113T2344-7		...FITTING	A,C,E ,G,J, L,N-U ,AC,A E,AG	1
-524A	113T2344-8		...FITTING	B,D,F ,H,K, M,V-A B,AD, AF,AH	1
526	113T2344-9		..FITTING ASSY ATTACHING PARTS	A-AH	1
528	BACB30LE5U22		..BOLT	A-AH	1
530	BACW10BP5APU		..WASHER	A-AH	1

57-53-25

FIG. & ITEM	PART NO.	AIRLINE PART NUMBER	NOMENCLATURE 1234567	EFF CODE	QTY PER ASSY
01-532	BACW10BP5CD		..WASHER	A-AH	1
534	BMN5024CPD5		..NUT- (V08524) (SPEC BACN10HR5CS) (OPT 67832AS524 (V56878)) (OPT 67832AS524 (V56878)) (OPT BMN5024CPD3-5 (V97928)) (OPT BH00303-5 (V27238)) (OPT BMN5024CPD35 (V97928)) (OPT BH003035 (V27238)) (OPT BMN5024CPD35 (V97928)) (OPT CR59085 (V62554)) (OPT 109LH90315 (V72962)) (OPT 67832AS5 (V56878)) (OPT BMN10HRRCPD3-5 (V97928))	A-AH	1
536	BACB28AK05-047		..BUSHING -----*	A-AH	1
538	BACB28AP05P028		...BUSHING	A-AH	1
540	BACB28AM07B028A		...BUSHING	A-AH	1
542	113T2344-11		...FITTING	A-AH	1
544	113T2345-1		..STRUT ASSY-SIDE	A,C,E ,G,J, L,N-U ,AC,A E,AG	1
-546	113T2345-2		..STRUT ASSY-SIDE	B,D,F ,H,K, M,V-A B,AD, AF,AH	1
			ATTACHING PARTS		
547	BACB30LE5U17		..BOLT	A-AH	1
548	BACW10BP5CD		..WASHER	A-AH	1
549	BACW10BP5APU		..WASHER	A-AH	1

57-53-25

FIG. & ITEM	PART NO.	AIRLINE PART NUMBER	NOMENCLATURE 1234567	EFF CODE	QTY PER ASSY
01-550	BMN5024CPD5		..NUT- (V08524) (SPEC BACN10HR5CS) (OPT 67832AS524 (V56878)) (OPT 67832AS524 (V56878)) (OPT BMN5024CPD3-5 (V97928)) (OPT BH00303-5 (V27238)) (OPT BMN5024CPD35 (V97928)) (OPT BH003035 (V27238)) (OPT BMN5024CPD35 (V97928)) (OPT CR59085 (V62554)) (OPT 109LH90315 (V72962)) (OPT 67832AS5 (V56878)) (OPT BMN10HRRCPD3-5 (V97928))	A-AH	1
551	BACB28AK05-030		..BUSHING	A-AH	AR
-551A	BACB28AK05-028		..BUSHING -----*	A-AH	AR
552	ADW04V301NC		...BEARING- (V15860) (SPEC BACB10FA04GC) (OPT SWKRS04-350SC (V81376)) (OPT KSC152200BZ04GC (V50632)) (OPT KWDB04-35 (V97613)) (OPT WES04FAGC (V73134)) (OPT WHTFA04VC (VS0352))	A-AH	1

57-53-25

FIG. & ITEM	PART NO.	AIRLINE PART NUMBER	NOMENCLATURE 1234567	EFF CODE	QTY PER ASSY
01-554	ADW05V301NC		...BEARING- (V15860) (SPEC BACB10FA05GC) (OPT SWKRS05-350SC (V81376)) (OPT KSC152200BZ05GC (V50632)) (OPT KWDB05-35 (V97613)) (OPT WES05FAGC (V73134)) (OPT WHTFA05VC (VS0352))	A-AH	1
556	BACB28AM07B013A		...BUSHING	A-AH	1
558	BACB28AP05P013		...BUSHING	A-AH	1
560	113T2345-3		...BEAM	A,C,E ,G,J, L,N-U ,AC,A E,AG	1
-560A	113T2345-4		...BEAM	B,D,F ,H,K, M,V-A B,AD, AF,AH	1
562	113T2344-13		DELETED		
562A	113T2344-21		..FITTING ASSY ATTACHING PARTS	A-AH	1
564	BACB30MY10K6		..BOLT	A-AH	1
565	HL79-10		..COLLAR- (V5M902) (SPEC BACC30M10) (OPT HL79-10 (V73197)) (OPT HL79-10 (V92215)) (OPT 66014-10 (V56878)) (OPT HL79-10 (V56878))	A-AH	1
566	BACB30MY8K6		..BOLT	A-AH	1

57-53-25

 ILLUSTRATED PARTS LIST
 01.1 Page 1082H
 Nov 01/05

FIG. & ITEM	PART NO.	AIRLINE PART NUMBER	NOMENCLATURE 1234567	EFF CODE	QTY PER ASSY
01-567	HL79-8		..COLLAR- (V5M902) (SPEC BACC30M8) (OPT HL79-8 (V73197)) (OPT HL79-8 (V92215)) (OPT 66014-8 (V56878)) (OPT HL79-8 (V56878)) -----*	A-AH	1
568	ADW04V301NC		...BEARING- (V15860) (SPEC BACB10FA04GC) (OPT SWKRS04-350SC (V81376)) (OPT KSC152200BZ04GC (V50632)) (OPT KWDB04-35 (V97613)) (OPT WES04FAGC (V73134)) (OPT WHTFA04VC (VS0352))	A-AH	1
570	113T2344-15		DELETED		
570A	113T2344-23		...FITTING	A-AH	1
572	113T2342-1		..HINGE ASSY-OUTBD (USED ON ITEMS 7A, 7B, 7C)	A,C, N-R	1
-572A	113T2342-9		..HINGE ASSY-OUTBD (USED ON ITEM 7)	A,C	1
-572B	113T2342-11		..HINGE ASSY-OUTBD (USED ON ITEMS 7D, 7H, 7J, 7K)	A,C,E ,G,J, L,S-U ,AC,A E,AG	1

57-53-25

FIG. & ITEM	PART NO.	AIRLINE PART NUMBER	NOMENCLATURE 1234567	EFF CODE	QTY PER ASSY
01-574	113T2342-2		..HINGE ASSY-OUTBD (USED ON ITEMS 8A, 8B, 8C)	B,D, V-Y	1
-574A	113T2342-10		..HINGE ASSY-OUTBD (USED ON ITEM 8)	B,D	1
-574B	113T2342-12		..HINGE ASSY-OUTBD (USED ON ITEMS 8D, 8H, 8J, 8K)	B,D,F ,H,K, M,Z-A B,AD, AF,AH	1
575	113T2346-1		...STRIP-RUB	A-AH	1
576	113T2346-2		...STRIP-RUB ATTACHING PARTS	A-AH	1
577	BACB30NW5K		...BOLT- (SIZE DETERMINE ON INST)	A-AH	4
578	HL70-5		...COLLAR- (V5M902) (SPEC BACC30M5) (OPT HL70-5 (V73197)) (OPT HL70-5 (V92215)) (OPT 66014-5 (V56878)) (OPT HL70-5 (V56878)) -----*	A-AH	4

57-53-25

 ILLUSTRATED PARTS LIST
 01.1 Page 1082J
 Nov 01/05

FIG. & ITEM	PART NO.	AIRLINE PART NUMBER	NOMENCLATURE 1234567	EFF CODE	QTY PER ASSY
01-579	113T2105-3		...RETAINER ATTACHING PARTS	A-AH	1
580	BACB30LR3-14		...BOLT	A-AH	1
581	H10-3BAC		...NUT- (V15653) (SPEC BACN10JC3) (OPT NS202101-02 (V80539)) (OPT RMLH9075-3W (V72962)) (OPT T6S1032J (V71087)) (OPT VN303A02 (V92215)) (OPT 96-02 (V80539)) (OPT BRH10A3 (V52828)) -----*	A-AH	1
582	113T2105-2		...RETAINER ATTACHING PARTS	A-AH	1
583	BACB30LR3P3		...BOLT -----*	A-AH	4
584	DAS6-25C1-502		...BEARING- (V77896) (SPEC BACB10CH6) (OPT ASRD6H30A (VS0352)) (OPT DAS6-25C4 (V77896)) (OPT DAS6-25C51 (V77896)) (OPT ASRD6-30A (VS0352))	A-AH	1

57-53-25

FIG. & ITEM	PART NO.	AIRLINE PART NUMBER	NOMENCLATURE 1234567	EFF CODE	QTY PER ASSY
01-					
585	113T2104-15		...BUSHING	A-AH	1
586	113T2104-16		...BUSHING	A-AH	1
588	BACB28AM13B048A		...BUSHING	A-AH	1
590	113T2104-14		...BUSHING	A-AH	1
592	BACB28AP09P041		...BUSHING	A-AH	1
594	ADW04V301NC		...BEARING- (V15860) (SPEC BACB10FA04GC) (OPT SWKRS04-350SC (V81376)) (OPT KSC152200BZ04GC (V50632)) (OPT KWDB04-35 (V97613)) (OPT WES04FAGC (V73134)) (OPT WHTFA04VC (VS0352))	A-AH	1
596	ADW05V301NC		...BEARING- (V15860) (SPEC BACB10FA05GC) (OPT SWKRS05-350SC (V81376)) (OPT KSC152200BZ05GC (V50632)) (OPT KWDB05-35 (V97613)) (OPT WES05FAGC (V73134)) (OPT WHTFA05VC (VS0352))	A-AH	1
598	MS15001-1		...FITTING-LUBE (USED ON ITEMS 572, 572A, 574, 574A)	A-D, N-R, V-Y	1
-598A	MS15001-3		...FITTING-LUBE (USED ON ITEMS 572B, 574B)	A-M, S-U, Z-AH	1
600	113T2342-3		...FITTING-HINGE (USED ON ITEM 572)	A,C, N-R	1

57-53-25

 ILLUSTRATED PARTS LIST
 01.1 Page 1082L
 Nov 01/05

FIG. & ITEM	PART NO.	AIRLINE PART NUMBER	NOMENCLATURE 1234567	EFF CODE	QTY PER ASSY
01- -600A	113T2342-4		...FITTING-HINGE (USED ON ITEM 574)	B,D, V-Y	1
-600B	113T2342-7		...FITTING-HINGE (USED ON ITEMS 572A, 572B)	A,C,E ,G,J, L,S-U ,AC,A E,AG	1
-600C	113T2342-8		...FITTING-HINGE (USED ON ITEMS 574A, 574B)	B,D,F ,H,K, M,Z-A B,AD, AF,AH A-AH	1
602	HL1012AZ8-12		..BOLT- (V97928) (SPEC BACB30NX8K12) (OPT HL12VAZ8-12 (V73197)) (OPT HL12VAZ8-12 (V92215)) (OPT HL12VAZ8-12 (V97928)) (OPT L802-8K12 (V06725)) (OPT HL12VAZ8-12 (V56878)) (OPT HL1012AZ8-12 (V73197)) (OPT HL1012AZ8-12 (V60516)) (OPT HL1012AZ8-12 (V56878)) (OPT HL1012AZ8-12 (V17446)) (OPT HL1012AZ8-12 (V06950)) (OPT HL1012AZ8-12 (V06725)) (OPT HL1012AZ8-12 (V0PTK6)) (OPT ITEM 602A)		4

57-53-25

FIG. & ITEM	PART NO.	AIRLINE PART NUMBER	NOMENCLATURE 1234567	EFF CODE	QTY PER ASSY
01- -602A	HL448UC8-12		..BOLT- (V56878) (SPEC BACB30MB8A12) (OPT HL448UC8-12 (V73197)) (OPT HL448UC8-12 (V92215)) (OPT HL448UC8-12 (V97928)) (OPT 69308-8A12 (V56878)) (OPT HL448UC8-12 (V80539)) (OPT HL448UC8-12 (V08524)) (OPT HL448UC8-12 (V9N513)) (OPT WC4488-12 (V60516)) (OPT ITEM 602)	A-AH	4
604	HL13VAZ8-40		..BOLT- (V56878) (SPEC BACB30NY8K40) (OPT HL13VAZ8-40 (V73197)) (OPT HL13VAZ8-40 (V92215)) (OPT HL13VAZ8-40 (V97928)) (OPT L801-8K40 (V06725)) (OPT HL13VAZ8-40 (V08524)) (OPT HL13V40 (V06725)) (OPT L801-8K40 (VOPTK6)) (OPT ITEM 604A) (USED ON ITEMS 7, 7A, 7B, 7C, 7D, 7E, 7G, 7H, 8, 8A, 8B, 8C, 8D, 8E, 8G, 8H)	A-AH	2

57-53-25

 ILLUSTRATED PARTS LIST
 01.1 Page 1082N
 Nov 01/05

FIG. & ITEM	PART NO.	AIRLINE PART NUMBER	NOMENCLATURE 1234567	EFF CODE	QTY PER ASSY
01- -604A	HL449UC8-40		..BOLT- (V97928) (SPEC BACB30JC8A40) (OPT HL449UC8-40 (V92215)) (OPT HL449UC8-40 (V80539)) (OPT HL449UC8-40 (V73197)) (OPT HL449UC8-40 (V60516)) (OPT HL449UC8-40 (V56878)) (OPT ITEM 604) (USED ON ITEMS 7, 7A, 7B, 7C, 7D, 7E, 7G, 7H, 8, 8A, 8B, 8C, 8D, 8E, 8G, 8H)	A-AH	2
-604B	113T2108-9		..BOLT-SPECIAL (USED ON ITEMS 7J, 7K, 8J, 8K)	E-M,A C-AH	2
606	HL13VAZ8-44		..BOLT- (V56878) (SPEC BACB30NY8K44) (OPT HL13VAZ8-44 (V73197)) (OPT HL13VAZ8-44 (V92215)) (OPT HL13VAZ8-44 (V97928)) (OPT L801-8K44 (V06725)) (OPT HL13VAZ8-44 (V08524)) (OPT HL13V44 (V06725)) (OPT HL13VAZ8-44 (V17446)) (OPT ITEM 606A) (USED ON ITEMS 7, 7A, 7B, 7C, 7D, 7E, 7G, 7H, 8, 8A, 8B, 8C, 8D, 8E, 8G, 8H)	A-AH	2

57-53-25

FIG. & ITEM	PART NO.	AIRLINE PART NUMBER	NOMENCLATURE 1234567	EFF CODE	QTY PER ASSY
01- -606A	HL449UC8-44		..BOLT- (V97928) (SPEC BACB30JC8A44) (OPT HL449UC8-44 (V92215)) (OPT HL449UC8-44 (V80539)) (OPT HL449UC8-44 (V73197)) (OPT HL449UC8-44 (V60516)) (OPT HL449UC8-44 (V56878)) (OPT ITEM 606) (USED ON ITEMS 7, 7A, 7B, 7C, 7D, 7E, 7G, 7H, 8, 8A, 8B, 8C, 8D, 8E, 8G, 8H)	A-AH	2
-606B	113T2108-8		..BOLT-SPECIAL (USED ON ITEMS 7J, 7K, 8J, 8K)	E-M,A C-AH	2
607	HL1187-8		..COLLAR- (V5M902) (SPEC BACC30X8) (OPT HL87-8 (V73197)) (OPT HL87-8 (V92215)) (OPT HL1187-8 (V56878)) (OPT HL1187-8 (V92215)) (OPT HL87-8 (V56878)) (OPT HL1187-8 (V73197))	A-AH	4

57-53-25

 ILLUSTRATED PARTS LIST
 01.1 Page 1082P
 Nov 01/05

FIG. & ITEM	PART NO.	AIRLINE PART NUMBER	NOMENCLATURE 1234567	EFF CODE	QTY PER ASSY
01-608	HL1187-8		..COLLAR- (V5M902) (SPEC BACC30X8) (OPT HL87-8 (V73197)) (OPT HL87-8 (V92215)) (OPT HL1187-8 (V56878)) (OPT HL1187-8 (V92215)) (OPT HL87-8 (V56878)) (OPT HL1187-8 (V73197)) (USED ON ITEMS 7, 7A, 7B, 7C, 7D, 7E, 7G, 7H, 8, 8A, 8B, 8C, 8D, 8E, 8G, 8H)	A-AH	4
608K	NAS1149D0432J		..WASHER- (USED ON ITEMS 7J, 7K, 8J, 8K)	E-M,A C-AH	4
609	NAS1805-4L		..NUT- (USED ON ITEMS 7J, 7K, 8J, 8K)	E-M,A C-AH	4
610	BACS40R20D23F		..SHIM	A-AH	1
612	BACS40R23D23F		..SHIM	A-AH	1
614	113T2340-4		..PLUG	A-AH	1
616	113T2340-3		..PLUG	A-AH	1
618	113T2340-2		..PLUG	A-AH	1
620	113T2340-1		..PLUG	A-AH	1

57-53-25

FIG. & ITEM	PART NO.	AIRLINE PART NUMBER	NOMENCLATURE 1234567	EFF CODE	QTY PER ASSY
01-622	AS568-117S32		..PACKING- (V11314) (SPEC BACP11J117) (OPT S7E183-117 (V95272)) (OPT 13-06-117 (V07096)) (OPT S424-7-2-117 (V02697)) (OPT A330-117 (V95272)) (OPT R1131-117 (V57268)) (OPT 2-117S383-70 (V02697))	A-AH	4
624	113T2344-1		..FITTING ASSY- (USED ON ITEMS 7, 7A, 7B, 7C, 7D, 7E, 7G, 7H, 7J, 8, 8A, 8B, 8C, 8D, 8E, 8G, 8H, 8J)	A-AH	1
-624A	113T2344-1		..FITTING ASSY- (OPT ITEM 624B) (USED ON ITEMS 7K, 8K)	E-M,A C-AH	1
-624B	113T2344-25		..FITTING ASSY- (OPT ITEM 624A) (USED ON ITEMS 7K, 8K)	E-M,A C-AH	1
626	113T2344-3		..FITTING ASSY ATTACHING PARTS	A-AH	1
628	BACB30LE4U16		..BOLT	A-AH	2
630	BACW10BP4ACU		..WASHER	A-AH	2
632	BACW10BP4DP		..WASHER	A-AH	2

57-53-25

 ILLUSTRATED PARTS LIST
 01.1 Page 1082R
 Nov 01/05

FIG. & ITEM	PART NO.	AIRLINE PART NUMBER	NOMENCLATURE 1234567	EFF CODE	QTY PER ASSY
01-634	H39953-4		..NUT- (V15653) (SPEC BACN10HR4CS) (OPT 109LH9031-4 (V72962)) (OPT 67832AS428 (V56878)) (OPT SL7059C428 (V11815)) (OPT BH00303-4 (V27238)) (OPT BH003034 (V27238)) (OPT BH003034 (V27238)) (OPT BMN5024CPD34 (V97928)) (OPT SL705094 (V11815)) (OPT 109LH90314 (V72962)) (OPT 67832AS4 (V56878)) (OPT BMN10HRCPD3-4 (V97928)) (OPT SL705094 (V11815))	A-AH	2
636	BACB28AK04-035		..BUSHING	A-AH	2
638	BACB28AK04-036		DELETED		
640	ADW04V301NC		...BEARING- (V15860) (SPEC BACB10FA04GC) (OPT SWKRS04-350SC (V81376)) (OPT KSC152200BZ04GC (V50632)) (OPT KWDB04-35 (V97613)) (OPT WES04FAGC (V73134)) (OPT WHTFA04VC (VS0352))	A-AH	1
642	113T2344-2		...FITTING- (USED ON ITEMS 624, 624A)	A-AH	1

57-53-25

FIG. & ITEM	PART NO.	AIRLINE PART NUMBER	NOMENCLATURE 1234567	EFF CODE	QTY PER ASSY
01-					
-642A	113T2344-26		...FITTING- (USED ON ITEM 624B)	E-M,A C-AH	1
643	113T2344-4		...FITTING- (USED ON ITEM 626)	A-AH	1
644	113T2339-1		..HINGE ASSY-INBD (USED ON ITEMS 7A, 7B, 7C, 8A, 8B, 8C)	A-D, N-R, V-Y	1
-644A	113T2339-11		..HINGE ASSY-INBD (USED ON ITEMS 7, 8, 7D, 8D)	A-D	1
-644B	113T2339-18		..HINGE ASSY-INBD (USED ON ITEMS 7H, 7J, 7K, 8H, 8J, 8K)	E-M, S-U, Z-AH	1
646	BACB30NN3K4		...BOLT	A-AH	9
647	NAS1399MW6-4		...RIVET	A-AH	34
648	BACB30NN3K6		...BOLT	A-AH	10
650	BACN10JQ32		...NUTPLATE	A-AH	19
652	BACR15BA3AD		...RIVET- (SIZE DETERMINE ON INST) -----*-----	A-AH	38
654	BACR15BA5AD		...RIVET- (SIZE DETERMINE ON INST)	A-AH	40
656	BACR15BA6AD		...RIVET- (SIZE DETERMINE ON INST)	A-AH	14
658	113T2206-1		...KEVLAR ASSY-HINGE SKIN	A-AH	1
660	113T2206-5	RETAINER-SEAL ATTACHING PARTS	A-AH	1
662	BACR15CE5KE	RIVET- (SIZE DETERMINE ON INST)	A-AH	8
662A	BACB30NT3K4	BOLT -----*-----	A-AH	1
662B	BACN10JQ36	NUTPLATE ATTACHING PARTS	A-AH	1
662C	BACR15BA3AD	RIVET- (SIZE DETERMINE ON INST) -----*-----	A-AH	2
663	113T2206-6	SEAL- (MFD FROM EXTR RUBBER 10-60754-31 9.20 IN.)	A-AH	1
664	113T2206-2	SKIN	A-AH	1
665	113T2206-3	SKIN	A-AH	1
666	113T2206-4		...BOND ASSY-RIB	A-AH	1
668	113T2339-8		...PLATE-RETAINER	A-AH	1
670	113T2339-9		...PLATE-RETAINER	A-AH	2
672	113T2339-10		...PLATE-RETAINER	A-AH	1

57-53-25

FIG. & ITEM	PART NO.	AIRLINE PART NUMBER	NOMENCLATURE 1234567	EFF CODE	QTY PER ASSY
01-					
673	113T2339-16		...PLATE-RETAINER	A-AH	1
674	113T2339-2		...SEAL- (MFD FROM EXTR RUBBER BAC1521-670 11.00 IN.)	A-AH	1
676	113T2339-3		...SEAL- (MFD FROM EXTR RUBBER BAC1521-670 5.50 IN.)	A-AH	2
678	113T2339-4		...SEAL- (MFD FROM EXTR RUBBER BAC1521-670 3.00 IN.) (FOR SPARES PROCURE 113T2339Y4)	A-AH	1
679	113T2339-17		...SEAL- (MFD FROM EXTR RUBBER BAC1521-670 3.00 IN.) (FOR SPARES PROCURE 113T2339Y17)	A-AH	1
680	113T2339-5		...SEAL- (MFD FROM EXTR RUBBER BAC1521-670 8.00 IN.)	A-AH	1
682	113T2339-6		...SEAL- (MFD FROM EXTR RUBBER BAC1521-670 8.00 IN.)	A-AH	1
684	113T2339-7		...SEAL- (MFD FROM EXTR RUBBER BAC1521-670 3.00 IN.) (FOR SPARES PROCURE 113T2339Y7)	A-AH	2
684G	113T2339-13		DELETED		
684H	113T2339-14		DELETED		
684J	113T2339-15		...FILLER-TAPERED	A-AH	2
685	113T2341-1		...FITTING ASSY-HINGE (USED ON ITEM 644)	A-D, N-R, V-Y	1
-685G	113T2341-4		...FITTING ASSY-HINGE (USED ON ITEMS 644A, 644B)	A-M, S-U, Z-AH	1
686	BACB28AM06B019A	BUSHING	A-AH	2
687	BACB28AP04P019	BUSHING	A-AH	2
688	MS15001-1	FITTING	A-AH	1
689	113T2341-2	FITTING-HINGE (USED ON ITEM 685)	A-D, N-R, V-Y	1

57-53-25

FIG. & ITEM	PART NO.	AIRLINE PART NUMBER	NOMENCLATURE 1234567	EFF CODE	QTY PER ASSY
01-689G	113T2341-5	FITTING-HINGE (USED ON ITEM 685G)	A-M, S-U, Z-AH	1
690	ASR6-30	BEARING- (VS0352) (SPEC BACB10CK6) (OPT SA6-23A4 (V77896))	A-AH	1
691	113T2105-1	RETAINER ATTACHING PARTS	A-AH	1
692	BACB30NN3K11		DELETED		
692A	BACB30NN3K9	BOLT	A-AH	2
693	H10-3BAC	NUT- (V15653) (SPEC BACN10JC3) (OPT NS202101-02 (V80539)) (OPT RMLH9075-3W (V72962)) (OPT T6S1032J (V71087)) (OPT VN303A02 (V92215)) (OPT 96-02 (V80539)) (OPT BRH10A3 (V52828)) -----*	A-AH	2
694	113T2205-1		..FRANGIBLE ASSY	A,C,E G,J L,N-U AC,A E,AG	1

57-53-25

 ILLUSTRATED PARTS LIST
 01.1 Page 1082V
 Nov 01/05

FIG. & ITEM	PART NO.	AIRLINE PART NUMBER	NOMENCLATURE 1234567	EFF CODE	QTY PER ASSY
01-695	113T2205-2		..FRANGIBLE ASSY	B,D,F H,K, M,V-A B,AD, AF,AH	1
696	BACB30NN3K7		ATTACHING PARTS ..BOLT -----*-----	A-AH	33
697	NS103194-02-2		...NUTPLATE- (V80539) (SPEC BACN10KE3E2) (OPT F51752-3-2 (V15653)) (OPT RMF9216-2-3 (V72962)) (OPT BRFR120A3-2 (V52828))	A-AH	2
698	NS103191-02-2		...NUTPLATE- (V80539) (SPEC BACN10KE3B2) (OPT F51750-3-2 (V15653)) (OPT RMF9213-2-3 (V72962)) (OPT BRFR220A3-2 (V52825))	A-AH	9
699	NS103194-02-3		...NUTPLATE- (V80539) (SPEC BACN10KE3E3) (OPT F51752-3-3 (V15653)) (OPT RMF9216-3-3 (V72962)) (OPT BRFR120A3-3 (V52828))	A-AH	2

57-53-25

FIG. & ITEM	PART NO.	AIRLINE PART NUMBER	NOMENCLATURE 1234567	EFF CODE	QTY PER ASSY
01-700	NS103191-02-3		...NUTPLATE- (V80539) (SPEC BACN10KE3B3) (OPT F51750-3-3 (V15653)) (OPT RMF9213-3-3 (V72962)) (OPT BRFR220A3-3 (V52828)) ATTACHING PARTS	A-AH	20
701	BACR15CE3AD		...RIVET- (SIZE DETERMINE ON INST) -----*	A-AH	66
702	BACR15CE5AD		...RIVET- (SIZE DETERMINE ON INST)	A-AH	46
702G	AN960PD8L		...WASHER	A-AH	40
702S	AN960KD8L		...WASHER	A-AH	40
703	113T2205-10		...FILLER	A-AH	1
704	113T2205-3		...SKIN-LWR	A,C,E ,G,J, L,N-U ,AC,A E,AG	1
-704A	113T2205-4		...SKIN-LWR	B,D,F ,H,K, M,V-A B,AD, AF,AH	1
705	113T2205-5		...SKIN-UPR	A,C,E ,G,J, L,N-U ,AC,A E,AG	1
-705A	113T2205-6		...SKIN-UPR	B,D,F ,H,K, M,V-A B,AD, AF,AH	1

57-53-25

 ILLUSTRATED PARTS LIST
 01.1 Page 1082X
 Nov 01/05

FIG. & ITEM	PART NO.	AIRLINE PART NUMBER	NOMENCLATURE 1234567	EFF CODE	QTY PER ASSY
01-706	113T2205-9		...STRAP	A-AH	1
708	113T2205-7		...RIB	A,C,E ,G,J, L,N-U ,AC,A E,AG	1
-708A	113T2205-8		...RIB	B,D,F ,H,K, M,V-A B,AD, AF,AH	1
710	113T2344-17		..FITTING	A,C,E ,G,J, L,N-U ,AC,A E,AG	1
-712	113T2344-18		..FITTING	B,D,F ,H,K, M,V-A B,AD, AF,AH	1
714	BACB30MY6K7		ATTACHING PARTS ..BOLT	A-AH	1
716	BACB30MY6K3		..BOLT	A-AH	8
718	BACB30MY6K4		..BOLT	A-AH	1
720	HL79-6		..COLLAR- (V5M902) (SPEC BACC30M6) (OPT HL79-6 (V73197)) (OPT HL79-6 (V92215)) (OPT 66014-6 (V56878)) (OPT HL79-6 (V56878)) -----*	A-AH	10
722	113T2318-1		..RIB-AUX END	A,C,E ,G,J, L,N-U ,AC,A E,AG	1

57-53-25

FIG. & ITEM	PART NO.	AIRLINE PART NUMBER	NOMENCLATURE 1234567	EFF CODE	QTY PER ASSY
01- -724	113T2318-2		..RIB-AUX END	B,D,F ,H,K, M,V-A B,AD, AF,AH	1
726	113T2319-1		..STRIP-RUB (MFD FROM SH PHENOLIC MIL-P-15035 TYPE FBG 0.031 IN. 2.00 IN. 5.20 IN.)	A-AH	2
727	113T2313-1		..RIB ASSY-END	A,C,E ,G,J, L,N-U ,AC,A E,AG	1
-728	113T2313-2		..RIB ASSY-END	B,D,F ,H,K, M,V-A B,AD, AF,AH	1
729	113T2314-1		..RIB ASSY-END	A,C,E ,G,J, L,N-U ,AC,A E,AG	1
-730	113T2314-2		..RIB ASSY-END	B,D,F ,H,K, M,V-A B,AD, AF,AH	1

57-53-25

 ILLUSTRATED PARTS LIST
 01.1 Page 1082Z
 Nov 01/05

FIG. & ITEM	PART NO.	AIRLINE PART NUMBER	NOMENCLATURE 1234567	EFF CODE	QTY PER ASSY
01- 731	HL11VAZ6-6		ATTACHING PARTS ..BOLT- (V60516) (SPEC BACB30NW6K6) (OPT B30NW6K6 (V97928)) (OPT HL11VAZ6-6 (V73197)) (OPT HL11VAZ6-6 (V92215)) (OPT HL11VAZ6-6 (V97928)) (OPT L803-6K6 (V06725)) (OPT HL11VAZ6-6 (V0PTK6)) (OPT HL11VAZ6-6 (V56878))	A-AH	8
732	HL11VAZ6-3		..BOLT- (V60516) (SPEC BACB30NW6K3) (OPT B30NW6K3 (V97928)) (OPT HL11VAZ6-3 (V73197)) (OPT HL11VAZ6-3 (V92215)) (OPT HL11VAZ6-3 (V97928)) (OPT L803-6K3 (V06725)) (OPT HL11VAZ6-3 (V0PTK6)) (OPT HL11VAZ6-3 (V56878))	A-AH	4

57-53-25

ILLUSTRATED PARTS LIST
01.1 Page 1083
Nov 01/05

FIG. & ITEM	PART NO.	AIRLINE PART NUMBER	NOMENCLATURE 1234567	EFF CODE	QTY PER ASSY
01-733	BACB30MY6K3		..BOLT	A-AH	1
734	HL79-6		..COLLAR- (V5M902) (SPEC BACC30M6) (OPT HL79-6 (V73197)) (OPT HL79-6 (V92215)) (OPT 66014-6 (V56878)) (OPT HL79-6 (V56878))	A-AH	13
735	BACS40R18C20F		..SHIM	A-AH	2
736	BACS40R18B20F		..SHIM	A-AH	2
737	BACS40R09B25F		..SHIM	A-AH	2
			-----*		
742	NS103191-02-2		...NUTPLATE- (V80539) (SPEC BACN10KE3B2) (OPT F51750-3-2 (V15653)) (OPT RMF9213-2-3 (V72962)) (OPT BRFR220A3-2 (V52825))	A-AH	8
744	NS103191-02-4		...NUTPLATE- (V80539) (SPEC BACN10KE3B4) (OPT F51750-3-4 (V15653)) (OPT RMF9213-4-3 (V72962)) (OPT BRFR220A3-4 (V52828))	A-AH	10

57-53-25

 ILLUSTRATED PARTS LIST
 01.1 Page 1084
 Nov 01/05

FIG. & ITEM	PART NO.	AIRLINE PART NUMBER	NOMENCLATURE 1234567	EFF CODE	QTY PER ASSY
01-746	NS103194-02-4		...NUTPLATE- (V80539) (SPEC BACN10KE3E4) (OPT F51752-3-4 (V15653)) (OPT RMF9216-4-3 (V72962)) (OPT BRFR120A3-4 (V52828)) ATTACHING PARTS	A-AH	2
748	BACR15BA3AD		...RIVET- (SIZE DETERMINE ON INST)	A-AH	40
750	BACF3T01G10-14B		...FILLER -----*-----	A-AH	1
752	BACB28AP08P062		...BUSHING	A-AH	1
754	113T2104-12		...BUSHING-SPECIAL	A-AH	1
756	113T2313-3		...RIB- (USED ON ITEM 727)	A,C,E ,G,J, L,N-U ,AC,A E,AG	1
-756A	113T2313-4		...RIB- (USED ON ITEM 728)	B,D,F ,H,K, M,V-A B,AD, AF,AH	1
758	113T2314-3		...RIB- (USED ON ITEM 729)	A,C,E ,G,J, L,N-U ,AC,A E,AG	1
-758A	113T2314-4		...RIB- (USED ON ITEM 730)	B,D,F ,H,K, M,V-A B,AD, AF,AH	1
760	113T2315-1		..RIB ASSY	A,C,E ,G,J, L,N-U ,AC,A E,AG	1

57-53-25

FIG. & ITEM	PART NO.	AIRLINE PART NUMBER	NOMENCLATURE 1234567	EFF CODE	QTY PER ASSY
01- -762	113T2315-2		..RIB ASSY	B,D,F ,H,K, M,V-A B,AD, AF,AH	1
764	113T2315-5		..RIB ASSY	A,C,E ,G,J, L,N-U ,AC,A E,AG	1
-766	113T2315-6		..RIB ASSY	B,D,F ,H,K, M,V-A B,AD, AF,AH	1
768	113T2315-17		..RIB ASSY	A,C,E ,G,J, L,N-U ,AC,A E,AG	1
-770	113T2315-18		..RIB ASSY	B,D,F ,H,K, M,V-A B,AD, AF,AH	1
772	113T2315-21		..RIB ASSY	A,C,E ,G,J, L,N-U ,AC,A E,AG	1

57-53-25

 ILLUSTRATED PARTS LIST
 01.1 Page 1084B
 Nov 01/05

FIG. & ITEM	PART NO.	AIRLINE PART NUMBER	NOMENCLATURE 1234567	EFF CODE	QTY PER ASSY
01- -774	113T2315-22		..RIB ASSY	B,D,F ,H,K, M,V-A B,AD, AF,AH	1
776	113T2315-25		..RIB ASSY	A,C,E ,G,J, L,N-U ,AC,A E,AG	1
-778	113T2315-26		..RIB ASSY	B,D,F ,H,K, M,V-A B,AD, AF,AH	1
780	113T2315-33		..RIB ASSY	A,C,E ,G,J, L,N-U ,AC,A E,AG	1
-782	113T2315-34		..RIB ASSY	B,D,F ,H,K, M,V-A B,AD, AF,AH	1
784	113T2315-41		..RIB ASSY	A,C,E ,G,J, L,N-U ,AC,A E,AG	1

57-53-25

FIG. & ITEM	PART NO.	AIRLINE PART NUMBER	NOMENCLATURE 1234567	EFF CODE	QTY PER ASSY
01- -786	113T2315-42		..RIB ASSY	B,D,F ,H,K, M,V-A B,AD, AF,AH	1
788	113T2315-45		..RIB ASSY	A,C,E ,G,J, L,N-U ,AC,A E,AG	1
-789	113T2315-46		..RIB ASSY	B,D,F ,H,K, M,V-A B,AD, AF,AH	1
790	BACR15FT6KE		ATTACHING PARTS ..RIVET- (SIZE DETERMINE ON INST)	A-AH	24
791	BACS40R09B11F		..SHIM -----*-----	A-AH	8
792	NS103191-02-4		...NUTPLATE- (V80539) (SPEC BACN10KE3B4) (OPT F51750-3-4 (V15653)) (OPT RMF9213-4-3 (V72962)) (OPT BRFR220A3-4 (V52828))	A-AH	1
794 794A	NS103194-02-4 NS103194-02-5		DELETED ...NUTPLATE- (V80539) (SPEC BACN10KE3E5) (OPT F51752-3-5 (V15653)) (OPT RMF9216-5-3 (V72962)) (OPT BRFR120A3-5 (V52828)) (USED ON ITEMS 768, 770, 772, 774, 780, 782, 784, 786, 788, 789)	A-AH	2
796	NS103194-02-6		DELETED		

57-53-25

 ILLUSTRATED PARTS LIST
 01.1 Page 1084D
 Nov 01/05

FIG. & ITEM	PART NO.	AIRLINE PART NUMBER	NOMENCLATURE 1234567	EFF CODE	QTY PER ASSY
01-796A	NS103194-02-5		...NUTPLATE- (V80539) (SPEC BACN10KE3E5) (OPT F51752-3-5 (V15653)) (OPT RMF9216-5-3 (V72962)) (OPT BRFR120A3-5 (V52828)) (USED ON ITEMS 768, 770, 772, 774, 780, 782, 784, 786, 788, 789)	A-AH	2
798 798A	NS103194-02-6 NS103194-02-5		DELETED ...NUTPLATE- (V80539) (SPEC BACN10KE3E5) (OPT F51752-3-5 (V15653)) (OPT RMF9216-5-3 (V72962)) (OPT BRFR120A3-5 (V52828)) (USED ON ITEMS 760, 762, 764, 766, 776, 778)	A-AH	4
800 800A	NS103191-02-6 NS103191-02-5		DELETED ...NUTPLATE- (V80539) (SPEC BACN10KE3B5) (OPT F51750-3-5 (V15653)) (OPT RMF9213-5-3 (V72962)) (OPT BRFR220A3-5 (V52828))	A-AH	3
802 802A	NS103191-02-5 NS103191-02-4		DELETED ...NUTPLATE- (V80539) (SPEC BACN10KE3B4) (OPT F51750-3-4 (V15653)) (OPT RMF9213-4-3 (V72962)) (OPT BRFR220A3-4 (V52828))	A-AH	1

57-53-25

FIG. & ITEM	PART NO.	AIRLINE PART NUMBER	NOMENCLATURE 1234567	EFF CODE	QTY PER ASSY
01-			ATTACHING PARTS		
804	BACR15BA3AD		...RIVET- (SIZE DETERMINE ON INST) -----*-----	A-AH	18
806	113T2315-3		...RIB- (USED ON ITEM 760)	A,C,E ,G,J, L,N-U ,AC,A E,AG	1
806A	113T2315-7		...RIB- (USED ON ITEM 764)	A,C,E ,G,J, L,N-U ,AC,A E,AG	1
806B	113T2315-19		...RIB- (USED ON ITEM 768)	A,C,E ,G,J, L,N-U ,AC,A E,AG	1
806C	113T2315-23		...RIB- (USED ON ITEM 772)	A,C,E ,G,J, L,N-U ,AC,A E,AG	1
806D	113T2315-27		...RIB- (USED ON ITEM 776)	A,C,E ,G,J, L,N-U ,AC,A E,AG	1
806E	113T2315-35		...RIB- (USED ON ITEM 780)	A,C,E ,G,J, L,N-U ,AC,A E,AG	1
806F	113T2315-43		...RIB- (USED ON ITEM 784)	A,C,E ,G,J, L,N-U ,AC,A E,AG	1
806G	113T2315-47		...RIB- (USED ON ITEM 788)	A,C,E ,G,J, L,N-U ,AC,A E,AG	1

57-53-25

ILLUSTRATED PARTS LIST
01.1 Page 1084F
Nov 01/05

FIG. & ITEM	PART NO.	AIRLINE PART NUMBER	NOMENCLATURE 1234567	EFF CODE	QTY PER ASSY
01- -808	113T2315-4		...RIB- (USED ON ITEM 762)	B,D,F ,H,K, M,V-A B,AD, AF,AH	1
-808A	113T2315-8		...RIB- (USED ON ITEM 766)	B,D,F ,H,K, M,V-A B,AD, AF,AH	1
-808B	113T2315-20		...RIB- (USED ON ITEM 770)	B,D,F ,H,K, M,V-A B,AD, AF,AH	1
-808C	113T2315-24		...RIB- (USED ON ITEM 774)	B,D,F ,H,K, M,V-A B,AD, AF,AH	1
-808D	113T2315-28		...RIB- (USED ON ITEM 778)	B,D,F ,H,K, M,V-A B,AD, AF,AH	1
-808E	113T2315-36		...RIB- (USED ON ITEM 782)	B,D,F ,H,K, M,V-A B,AD, AF,AH	1
-808F	113T2315-44		...RIB- (USED ON ITEM 786)	B,D,F ,H,K, M,V-A B,AD, AF,AH	1
-808G	113T2315-48		...RIB- (USED ON ITEM 789)	B,D,F ,H,K, M,V-A B,AD, AF,AH	1

57-53-25

FIG. & ITEM	PART NO.	AIRLINE PART NUMBER	NOMENCLATURE 1234567	EFF CODE	QTY PER ASSY
01-810	113T2315-9		..RIB ASSY	A,C, N-R	1
-810A	113T2315-67		..RIB ASSY	E,G,J ,L, S-U,A C,AE, AG	1
-810B	113T2315-75		DELETED		
-812	113T2315-10		..RIB ASSY	B,D, V-Y	1
-812A	113T2315-68		..RIB ASSY	F,H,K ,M, Z-AB, AD,AF ,AH	1
-812B	113T2315-76		DELETED		
814	113T2315-13		..RIB ASSY	A,C, N-R	1
-814A	113T2315-69		..RIB ASSY	E,G,J ,L, S-U,A C,AE, AG	1
-814B	113T2315-77		DELETED		
-816	113T2315-14		..RIB ASSY	B,D, V-Y	1
-816A	113T2315-70		..RIB ASSY	F,H,K ,M, Z-AB, AD,AF ,AH	1

57-53-25

 ILLUSTRATED PARTS LIST
 01.1 Page 1084H
 Nov 01/05

FIG. & ITEM	PART NO.	AIRLINE PART NUMBER	NOMENCLATURE 1234567	EFF CODE	QTY PER ASSY
01-					
-816B	113T2315-78		DELETED		
818	113T2315-29		..RIB ASSY	A,C, N-R	1
-818A	113T2315-65		..RIB ASSY	E,G,J ,L, S-U,A C,AE, AG	1
-818B	113T2315-73		DELETED		
820	113T2315-30		..RIB ASSY	B,D, V-Y	1
-820A	113T2315-66		..RIB ASSY	F,H,K ,M, Z-AB, AD,AF ,AH	1
-820B	113T2315-74		DELETED		
822	113T2315-30		..RIB ASSY	A,C, N-R	1
-822A	113T2315-66		..RIB ASSY	E,G,J ,L, S-U,A C,AE, AG	1
-822B	113T2315-74		DELETED		
-824	113T2315-29		..RIB ASSY	B,D, V-Y	1
-824A	113T2315-65		..RIB ASSY	F,H,K ,M, Z-AB, AD,AF ,AH	1

57-53-25

FIG. & ITEM	PART NO.	AIRLINE PART NUMBER	NOMENCLATURE 1234567	EFF CODE	QTY PER ASSY
01- -824B	113T2315-73		DELETED		
825	HL11VAZ6-6		ATTACHING PARTS ..BOLT- (V60516) (SPEC BACB30NW6K6) (OPT B30NW6K6 (V97928)) (OPT HL11VAZ6-6 (V73197)) (OPT HL11VAZ6-6 (V92215)) (OPT HL11VAZ6-6 (V97928)) (OPT L803-6K6 (V06725)) (OPT HL11VAZ6-6 (V0PTK6)) (OPT HL11VAZ6-6 (V56878))	A-AH	8
826	HL11VAZ6-5		..BOLT- (V60516) (SPEC BACB30NW6K5) (OPT HL11V6-5 (V92215)) (OPT HL11V6-5 (V97928)) (OPT L803-6-5 (V06725)) (OPT B30NW6K5 (V97928)) (OPT HL11VAZ6-5 (V73197)) (OPT HL11VAZ6-5 (V92215)) (OPT HL11VAZ6-5 (V56878))	A-AH	4

57-53-25

ILLUSTRATED PARTS LIST
01.1 Page 1084J
Nov 01/05

FIG. & ITEM	PART NO.	AIRLINE PART NUMBER	NOMENCLATURE 1234567	EFF CODE	QTY PER ASSY
01-827	HL79-6		..COLLAR- (V5M902) (SPEC BACC30M6) (OPT HL79-6 (V73197)) (OPT HL79-6 (V92215)) (OPT 66014-6 (V56878)) (OPT HL79-6 (V56878))	A-AH	12
828	BACR15CE6KE		..RIVET- (SIZE DETERMINE ON INST)	A-AH	4
829	BACR15FT6KE		DELETED		
829A	BACR15FT6AD		..RIVET- (SIZE DETERMINE ON INST)	A-AH	12
830	BACS40R09B15F		..SHIM	A-AH	4
831	BACS40R09B18F		..SHIM	A-AH	4
832	BACS40R08B25F		..SHIM -----*-----	A-AH	4
833	NS103194-02-5		DELETED		
833A	NS103194-02-4		...NUTPLATE- (V80539) (SPEC BACN10KE3E4) (OPT F51752-3-4 (V15653)) (OPT RMF9216-4-3 (V72962)) (OPT BRFR120A3-4 (V52828))	A-AH	5
834	NS103191-02-5		DELETED		
834A	NS103191-02-4		...NUTPLATE- (V80539) (SPEC BACN10KE3B4) (OPT F51750-3-4 (V15653)) (OPT RMF9213-4-3 (V72962)) (OPT BRFR220A3-4 (V52828))	A-AH	3

57-53-25

FIG. & ITEM	PART NO.	AIRLINE PART NUMBER	NOMENCLATURE 1234567	EFF CODE	QTY PER ASSY
01-835	NS103191-02-4		...NUTPLATE- (V80539) (SPEC BACN10KE3B4) (OPT F51750-3-4 (V15653)) (OPT RMF9213-4-3 (V72962)) (OPT BRFR220A3-4 (V52828)) (USED ON ITEMS 810, 810A, 812, 812A)	A-AH	1
836	NS103191-02-3		...NUTPLATE- (V80539) (SPEC BACN10KE3B3) (OPT F51750-3-3 (V15653)) (OPT RMF9213-3-3 (V72962)) (OPT BRFR220A3-3 (V52828)) (USED ON ITEMS 814, 814A, 816, 816A, 818, 818, 818A, 820, 820A, 822, 822A, 824, 824A) ATTACHING PARTS	A-AH	1
837	BACR15BA3AD		...RIVET- (SIZE DETERMINE ON INST) -----*-----	A-AH	18
838	113T2315-11		...RIB- (USED ON ITEMS 810, 810A)	A,C,E ,G,J, L,N-U ,AC,A E,AG	1

57-53-25

 ILLUSTRATED PARTS LIST
 01.1 Page 1084L
 Nov 01/05

FIG. & ITEM	PART NO.	AIRLINE PART NUMBER	NOMENCLATURE 1234567	EFF CODE	QTY PER ASSY
01- -838A	113T2315-12		...RIB- (USED ON ITEMS 812, 812A)	B,D,F ,H,K, M,V-A B,AD, AF,AH	1
838B	113T2315-15		...RIB- (USED ON ITEMS 814, 814A)	A,C,E ,G,J, L,N-U ,AC,A E,AG	1
-838C	113T2315-16		...RIB- (USED ON ITEMS 816, 816A)	B,D,F ,H,K, M,V-A B,AD, AF,AH	1
838D	113T2315-31		...RIB- (USED ON ITEMS 818, 818A, 824, 824A)	A-AH	1
838E	113T2315-32		...RIB- (USED ON ITEMS 820, 820A, 822, 822A)	A-AH	1
839	113T2315-53		...DOUBLER ASSY- (USED ON ITEMS 810, 816)	A-D, N-R, V-Y	1
839A	113T2315-54		...DOUBLER ASSY- (USED ON ITEMS 812, 814)	A-D, N-R, V-Y	1
839B	113T2315-49		...DOUBLER ASSY- (USED ON ITEMS 818, 824)	A-D, N-R, V-Y	1
-839C	113T2315-50		...DOUBLER ASSY- (USED ON ITEMS 820, 822)	A-D, N-R, V-Y	1

57-53-25

FIG. & ITEM	PART NO.	AIRLINE PART NUMBER	NOMENCLATURE 1234567	EFF CODE	QTY PER ASSY
01-839D	113T2315-57		...DOUBLER ASSY- (USED ON ITEMS 818A, 824A)	E-M, S-U, Z-AH	1
839E	113T2315-58		...DOUBLER ASSY- (USED ON ITEMS 820A, 822A)	E-M, S-U, Z-AH	1
839F	113T2315-61		...DOUBLER ASSY- (USED ON ITEMS 810A, 816A)	E-M, S-U, Z-AH	1
839G	113T2315-62		...DOUBLER ASSY- (USED ON ITEMS 812A, 814A)	E-M, S-U, Z-AH	1
839H	113T2315-71		DELETED		
839J	113T2315-72		DELETED		
839K	113T2315-79		DELETED		
839L	113T2315-80		DELETED		
840	NS103194-02-4		DELETED		
R 840A	NS103194-02-5	NUTPLATE- (V80539) (SPEC BACN10KE3E5) (OPT F51752-3-5 (V15653)) (OPT RMF9216-5-3 (V72962)) (OPT BRFR120A3-5 (V52828)) (USED ON ITEMS 839, 839A, 839B, 839C, 839D, 839E)	A-AH	1

57-53-25

 ILLUSTRATED PARTS LIST
 01.1 Page 1084N
 Nov 01/05

FIG. & ITEM	PART NO.	AIRLINE PART NUMBER	NOMENCLATURE 1234567	EFF CODE	QTY PER ASSY
01- -840B	NS103194-02-3	NUTPLATE- (V80539) (SPEC BACN10KE3E3) (OPT F51752-3-3 (V15653)) (OPT RMF9216-3-3 (V72962)) (OPT BRFR120A3-3 (V52828)) (USED ON ITEMS 839F, 839G)	E-M, S-U, Z-AH	1
R 841 841A	NS103191-02-4 NS103191-02-5		DELETEDNUTPLATE- (V80539) (SPEC BACN10KE3B5) (OPT F51750-3-5 (V15653)) (OPT RMF9213-5-3 (V72962)) (OPT BRFR220A3-5 (V52828)) (USED ON ITEMS 839, 839A, 839B, 839C, 839D, 839E)	A-AH	4
-841B	NS103191-02-3	NUTPLATE- (V80539) (SPEC BACN10KE3B3) (OPT F51750-3-3 (V15653)) (OPT RMF9213-3-3 (V72962)) (OPT BRFR220A3-3 (V52828)) (USED ON ITEMS 839F, 839G)	E-M, S-U, Z-AH	4

57-53-25

FIG. & ITEM	PART NO.	AIRLINE PART NUMBER	NOMENCLATURE 1234567	EFF CODE	QTY PER ASSY
01-841G	MF19058-3-5BAC	NUTPLATE- (V15653) (SPEC BACN10YF35) (USED ON ITEMS 839D, 839E)	E-M, S-U, Z-AH	1
841L	MF19058-3-3BAC	NUTPLATE- (V15653) (SPEC BACN10YF33) (USED ON ITEMS 839F, 839G)	E-M, S-U, Z-AH	1
841Q	NS103191-02-3	NUTPLATE- (V80539) (SPEC BACN10KE3B3) (OPT F51750-3-3 (V15653)) (OPT RMF9213-3-3 (V72962)) (OPT BRFR220A3-3 (V52828)) (USED ON ITEMS 839D, 839E)	E-M, S-U, Z-AH	1
841U	F5000-3BAC	NUTPLATE- (V15653) (SPEC BACN10JR3F) (OPT NS103203-02 (V80539)) (OPT RMF9201-3 (V72962)) (OPT T8091S1032 (V11815)) (OPT VN152A1-02 (V92215)) (OPT BRF200A3 (V52828)) (USED ON ITEMS 839F, 839G) ATTACHING PARTS	E-M, S-U, Z-AH	1

57-53-25

 ILLUSTRATED PARTS LIST
 01.1 Page 1084P
 Nov 01/05

FIG. & ITEM	PART NO.	AIRLINE PART NUMBER	NOMENCLATURE 1234567	EFF CODE	QTY PER ASSY
01-842	BACR15BA3AD	RIVET- (SIZE DETERMINE ON INST)	A-D, N-R, V-Y	10
842G	BACR15BA3AD	RIVET- (SIZE DETERMINE ON INST)	E-M, S-U, Z-AH	14
843	113T2315-55		-----*-----DOUBLER- (USED ON ITEM 839)	A-D, N-R, V-Y	1
-843A	113T2315-56	DOUBLER- (USED ON ITEM 839A)	A-D, N-R, V-Y	1
-843B	113T2315-51	DOUBLER- (USED ON ITEM 839B)	A-D, N-R, V-Y	1
-843C	113T2315-52	DOUBLER- (USED ON ITEM 839C)	A-D, N-R, V-Y	1
-843D	113T2315-59	DOUBLER- (USED ON ITEM 839D)	E-M, S-U, Z-AH	1
-843E	113T2315-60	DOUBLER- (USED ON ITEM 839E)	E-M, S-U, Z-AH	1
-843F	113T2315-63	DOUBLER- (USED ON ITEM 839F)	E-M, S-U, Z-AH	1
-843G	113T2315-64	DOUBLER- (USED ON ITEM 839G)	E-M, S-U, Z-AH	1
854	113T2315-37		..RIB ASSY	A,C,E ,G,J, L,N-U ,AC,A E,AG	1

57-53-25

FIG. & ITEM	PART NO.	AIRLINE PART NUMBER	NOMENCLATURE 1234567	EFF CODE	QTY PER ASSY
01- -855	113T2315-38		..RIB ASSY	B,D,F H,K, M,V-A B,AD, AF,AH	1
856	BACR15FT6KE		ATTACHING PARTS DELETED		
856A	BACB30MY6K3		..BOLT	A-AH	3
857	BACS40R09B25F		..SHIM	A-AH	1
			-----*		
858	NS103194-02-4		...NUTPLATE- (V80539) (SPEC BACN10KE3E4) (OPT F51752-3-4 (V15653)) (OPT RMF9216-4-3 (V72962)) (OPT BRFR120A3-4 (V52828))	A-AH	1
860	NS103194-02-6		...NUTPLATE- (V80539) (SPEC BACN10KE3E6) (OPT F51752-3-6 (V15653)) (OPT RMF9216-6-3 (V72962)) (OPT BRFR120A3-6 (V52828))	A-AH	4
862	NS103191-02-6		...NUTPLATE- (V80539) (SPEC BACN10KE3B6) (OPT F51750-3-6 (V15653)) (OPT RMF9213-6-3 (V72962)) (OPT BRFR220A3-6 (V52828))	A-AH	3

57-53-25

 ILLUSTRATED PARTS LIST
 01.1 Page 1084R
 Nov 01/05

FIG. & ITEM	PART NO.	AIRLINE PART NUMBER	NOMENCLATURE 1234567	EFF CODE	QTY PER ASSY
01-864	NS103191-02-5		...NUTPLATE- (V80539) (SPEC BACN10KE3B5) (OPT F51750-3-5 (V15653)) (OPT RMF9213-5-3 (V72962)) (OPT BRFR220A3-5 (V52828)) ATTACHING PARTS	A-AH	1
866	BACR15BA3AD		...RIVET- (SIZE DETERMINE ON INST) -----*-----	A-AH	18
868	113T2315-39		...RIB	A,C,E ,G,J, L,N-U ,AC,A E,AG	1
-868A	113T2315-40		...RIB	B,D,F ,H,K, M,V-A B,AD, AF,AH	1
869	BACB30NN4K9		..BOLT	A-AH	4
870	113T2320-1		..WEDGE ASSY- (USED ON ITEMS 7A, 7B) (PRE SB 767-57-0043)	A,C	1
-870A	113T2320-71		..WEDGE ASSY- (USED ON ITEMS 7, 7C, 7D) (PRE SB 767-57-0043)	A,C	1

57-53-25

FIG. & ITEM	PART NO.	AIRLINE PART NUMBER	NOMENCLATURE 1234567	EFF CODE	QTY PER ASSY
01- -870B	113T2320-73		..WEDGE ASSY- (USED ON ITEMS 7E, 7G, 7H) (PRE SB 767-57-0043)	E,G,J ,L,AC ,AE,A G	1
-870C	113T2320-81		DELETED		
-870D	113T2320-87		..WEDGE ASSY- (USED ON ITEMS 7J, 7K)	E,G,J ,L,AC ,AE,A G	1
-870E	015T1415-183		..WEDGE ASSY- (USED ON ITEMS 7A, 7B) (POST SB 767-57-0043)	N-R	1
-870F	015T1415-185		..WEDGE ASSY- (USED ON ITEMS 7E, 7G, 7H) (POST SB 767-57-0043)	S-U	1
871	113T2320-2		..WEDGE ASSY- (USED ON ITEMS 8A, 8B) (PRE SB 767-57-0043)	B,D	1
-871A	113T2320-72		..WEDGE ASSY- (USED ON ITEMS 8, 8C, 8D) (PRE SB 767-57-0043)	B,D	1
-871B	113T2320-74		..WEDGE ASSY- (USED ON ITEMS 8E, 8G, 8H) (PRE SB 767-57-0043)	F,H,K ,M,AD ,AF,A H	1
-871C	113T2320-82		DELETED		
-871D	113T2320-88		..WEDGE ASSY- (USED ON ITEMS 8J, 8K)	F,H,K ,M,AD ,AF,A H	1

57-53-25

 ILLUSTRATED PARTS LIST
 01.1 Page 1084T
 Nov 01/05

FIG. & ITEM	PART NO.	AIRLINE PART NUMBER	NOMENCLATURE 1234567	EFF CODE	QTY PER ASSY
01- -871E	015T1415-184		..WEDGE ASSY- (USED ON ITEMS 8A, 8B) (POST SB 767-57-0043)	V-Y	1
-871F	015T1415-186		..WEDGE ASSY- (USED ON ITEMS 8E, 8G, 8H) (POST SB 767-57-0043)	Z-AB	1
872	NS103191-02-5		...NUTPLATE- (V80539) (SPEC BACN10KE3B5) (OPT F51750-3-5 (V15653)) (OPT RMF9213-5-3 (V72962)) (OPT BRFR220A3-5 (V52828))	A-AH	161
872D	NS103194-02-5		...NUTPLATE- (V80539) (SPEC BACN10KE3E5) (OPT F51752-3-5 (V15653)) (OPT RMF9216-5-3 (V72962)) (OPT BRFR120A3-5 (V52828)) ATTACHING PARTS	A-AH	48
872H	BACR15BA3AD		...RIVET- (SIZE DETERMINE ON INST) -----*-----	A-AH	418
872M	NAS1836A4N13		...INSERT	A-AH	8

57-53-25

FIG. & ITEM	PART NO.	AIRLINE PART NUMBER	NOMENCLATURE 1234567	EFF CODE	QTY PER ASSY
01- 873 873A	NS103194-02-5 BACR15BA3AD		DELETED ...RIVET- (SIZE DETERMINE ON INST)	E-M, S-U, Z-AH	40
873D	BACN10FY34		...NUTPLATE	E-M, S-U, Z-AH	7
873G	BACN10FY32		...NUTPLATE	E-M, S-U, Z-AH	7
873K	BRFM20A3		...NUTPLATE- (V52828) (SPEC BACN10JN3) (OPT MF1000-3BAC (V15653)) (OPT NS103218-02 (V80539)) (OPT RMF9201M3 (V72962)) (OPT VN252A02 (V92215)) (OPT MF1000-3BAC (V15653)) (OPT MF53049-3 (V15653)) ATTACHING PARTS	E-M, S-U, Z-AH	6
874	BACR15BA3AD		DELETED		
875	113T2320-59		DELETED		
875A	BACR15CE6KE		...RIVET- (SIZE DETERMINE ON INST)	E-M, S-U, Z-AH	2
875D	113T2320-75		DELETED		
875E	113T2320-85		...CLIP ASSY	E,G,J L, S-U,A C,AE, AG	1
-875G	113T2320-76		DELETED		
-875H	113T2320-86		...CLIP ASSY	F,H,K M, Z-AB, AD,AF AH	1

57-53-25

 ILLUSTRATED PARTS LIST
 01.1 Page 1084V
 Nov 01/05

FIG. & ITEM	PART NO.	AIRLINE PART NUMBER	NOMENCLATURE 1234567	EFF CODE	QTY PER ASSY
01- 875K	BACR15BA3AD	RIVET- (SIZE DETERMINE ON INST)	E-M, S-U, Z-AH	2
875N	BACN10FY34	NUTPLATE	E-M, S-U, Z-AH	1
875R 875S	113T2320-77 113T2320-83		DELETEDCLIP	E,G,J ,L, S-U,A C,AE, AG	1
-875U -875V	113T2320-78 113T2320-84		DELETEDCLIP	F,H,K ,M, Z-AB, AD,AF ,AH	1
876 876A	BACR15CE6KE 113T2320-59		DELETED ...DOUBLER ASSY	A-D, N-R, V-Y	1
876G	BACR15CE6KE		...RIVET- (SIZE DETERMINE ON INST)	A-D, N-R, V-Y	6
877	NS103194-02-4		-----*-----NUTPLATE- (V80539) (SPEC BACN10KE3E4) (OPT F51752-3-4 (V15653)) (OPT RMF9216-4-3 (V72962)) (OPT BRFR120A3-4 (V52828))	A-D, N-R, V-Y	2
878	NS103191-02-4	NUTPLATE- (V80539) (SPEC BACN10KE3B4) (OPT F51750-3-4 (V15653)) (OPT RMF9213-4-3 (V72962)) (OPT BRFR220A3-4 (V52828))	A-D, N-R, V-Y	2

57-53-25

FIG. & ITEM	PART NO.	AIRLINE PART NUMBER	NOMENCLATURE 1234567	EFF CODE	QTY PER ASSY
01-					
879	BACR15BA3AD		ATTACHING PARTSRIVET- (SIZE DETERMINE ON INST)	A-D, N-R, V-Y	8
			-----*-----		
880	113T2320-61	DOUBLER	A-D, N-R, V-Y	1
881	113T2320-57		...DOUBLER	A,C, N-R	1
-881A	113T2320-58		...DOUBLER	B,D, V-Y	1
882	HL11VAZ6-5		ATTACHING PARTS ...BOLT- (V60516) (SPEC BACB30NW6K5) (OPT HL11V6-5 (V92215)) (OPT HL11V6-5 (V97928)) (OPT L803-6-5 (V06725)) (OPT B30NW6K5 (V97928)) (OPT HL11VAZ6-5 (V73197)) (OPT HL11VAZ6-5 (V92215)) (OPT HL11VAZ6-5 (V56878))	A-D, N-R, V-Y	7

57-53-25

 ILLUSTRATED PARTS LIST
 01.1 Page 1084X
 Nov 01/05

FIG. & ITEM	PART NO.	AIRLINE PART NUMBER	NOMENCLATURE 1234567	EFF CODE	QTY PER ASSY
01-883	HL11VAZ6-6		...BOLT- (V60516) (SPEC BACB30NW6K6) (OPT B30NW6K6 (V97928)) (OPT HL11VAZ6-6 (V73197)) (OPT HL11VAZ6-6 (V92215)) (OPT HL11VAZ6-6 (V97928)) (OPT L803-6K6 (V06725)) (OPT HL11VAZ6-6 (V0PTK6)) (OPT HL11VAZ6-6 (V56878))	A-D, N-R, V-Y	3
884	HL79-6		...COLLAR- (V5M902) (SPEC BACC30M6) (OPT HL79-6 (V73197)) (OPT HL79-6 (V92215)) (OPT 66014-6 (V56878)) (OPT HL79-6 (V56878)) -----*	A-D, N-R, V-Y	10

57-53-25

FIG. & ITEM	PART NO.	AIRLINE PART NUMBER	NOMENCLATURE 1234567	EFF CODE	QTY PER ASSY
01-885	113T2320-63		...DOUBLER ASSY	A,C,E G,J L,N-U AC,A E,AG	1
-885A	113T2320-64		...DOUBLER ASSY	B,D,F H,K M,Z-A B,AD AF,AH	1
			ATTACHING PARTS		
885B	BACB30NN3K6		...BOLT	A-D, N-R, V-Y	1
885C	H10-3BAC		...NUT- (V15653) (SPEC BACN10JC3) (OPT NS202101-02 (V80539)) (OPT RMLH9075-3W (V72962)) (OPT T6S1032J (V71087)) (OPT VN303A02 (V92215)) (OPT 96-02 (V80539)) (OPT BRH10A3 (V52828))	A-D, N-R, V-Y	1
885D	AN960KD10		...WASHER	A-D, N-R, V-Y	1
885K	BACB30NN3K6		...BOLT	E-M, S-U, Z-AH	4
885P	AN960JD10		...WASHER	E-M, S-U, Z-AH	4
885T	MS21042L3		...NUT	E-M, S-U, Z-AH	4

57-53-25

 ILLUSTRATED PARTS LIST
 01.1 Page 1084Z
 Nov 01/05

FIG. & ITEM	PART NO.	AIRLINE PART NUMBER	NOMENCLATURE 1234567	EFF CODE	QTY PER ASSY
01-886	HL11VAZ6-5		...BOLT- (V60516) (SPEC BACB30NW6K5) (OPT HL11V6-5 (V92215)) (OPT HL11V6-5 (V97928)) (OPT L803-6-5 (V06725)) (OPT B30NW6K5 (V97928)) (OPT HL11VAZ6-5 (V73197)) (OPT HL11VAZ6-5 (V92215)) (OPT HL11VAZ6-5 (V56878))	A-D, N-R, V-Y	6
887	HL11VAZ6-6		...BOLT- (V60516) (SPEC BACB30NW6K6) (OPT B30NW6K6 (V97928)) (OPT HL11VAZ6-6 (V73197)) (OPT HL11VAZ6-6 (V92215)) (OPT HL11VAZ6-6 (V97928)) (OPT L803-6K6 (V06725)) (OPT HL11VAZ6-6 (V0PTK6)) (OPT HL11VAZ6-6 (V56878))	A-D, N-R, V-Y	2

57-53-25

ILLUSTRATED PARTS LIST
01.1 Page 1085
Nov 01/05

FIG. & ITEM	PART NO.	AIRLINE PART NUMBER	NOMENCLATURE 1234567	EFF CODE	QTY PER ASSY
01-887G	HL11VAZ6-6		...BOLT- (V60516) (SPEC BACB30NW6K6) (OPT B30NW6K6 (V97928)) (OPT HL11VAZ6-6 (V73197)) (OPT HL11VAZ6-6 (V92215)) (OPT HL11VAZ6-6 (V97928)) (OPT L803-6K6 (V06725)) (OPT HL11VAZ6-6 (V0PTK6)) (OPT HL11VAZ6-6 (V56878))	E-M, S-U, Z-AH	6
888 888A	BACB30M6 HL79-6		DELETED ...COLLAR- (V5M902) (SPEC BACC30M6) (OPT HL79-6 (V73197)) (OPT HL79-6 (V92215)) (OPT 66014-6 (V56878)) (OPT HL79-6 (V56878))	A-D, N-R, V-Y	8

57-53-25

ILLUSTRATED PARTS LIST
 01.1 Page 1086
 Nov 01/05

FIG. & ITEM	PART NO.	AIRLINE PART NUMBER	NOMENCLATURE 1234567	EFF CODE	QTY PER ASSY
01-888G	HL79-6		...COLLAR- (V5M902) (SPEC BACC30M6) (OPT HL79-6 (V73197)) (OPT HL79-6 (V92215)) (OPT 66014-6 (V56878)) (OPT HL79-6 (V56878)) -----*	E-M, S-U, Z-AH	6
889	NS103194-02-4		...NUTPLATE- (V80539) (SPEC BACN10KE3E4) (OPT F51752-3-4 (V15653)) (OPT RMF9216-4-3 (V72962)) (OPT BRFR120A3-4 (V52828))	A-AH	2
890	NS103191-02-4		...NUTPLATE- (V80539) (SPEC BACN10KE3B4) (OPT F51750-3-4 (V15653)) (OPT RMF9213-4-3 (V72962)) (OPT BRFR220A3-4 (V52828))	A-AH	6
891	BACR15BA3AD		ATTACHING PARTS ...RIVET- (SIZE DETERMINE ON INST) -----*	A-AH	16

57-53-25

FIG. & ITEM	PART NO.	AIRLINE PART NUMBER	NOMENCLATURE 1234567	EFF CODE	QTY PER ASSY
01-892	113T2320-65	DOUBLER	A,C,E G,J L,N-U AC,A E,AG	1
-892A	113T2320-66	DOUBLER	B,D,F H,K M,V-A B,AD AF,AH	1
893	113T2320-49		...DOUBLER ASSY	A-D, N-R, V-Y	1
894	BACR15CE6KE		ATTACHING PARTS ...RIVET- (SIZE DETERMINE ON INST)	A-D, N-R, V-Y	9
895	NS103194-02-4		-----*-----NUTPLATE- (V80539) (SPEC BACN10KE3E4) (OPT F51752-3-4 (V15653)) (OPT RMF9216-4-3 (V72962)) (OPT BRFR120A3-4 (V52828))	A-D, N-R, V-Y	2
896	NS103191-02-4	NUTPLATE- (V80539) (SPEC BACN10KE3B4) (OPT F51750-3-4 (V15653)) (OPT RMF9213-4-3 (V72962)) (OPT BRFR220A3-4 (V52828)) ATTACHING PARTS	A-D, N-R, V-Y	4
897	BACR15BA3AD	RIVET- (SIZE DETERMINE ON INST)	A-D, N-R, V-Y	12
898	113T2320-51		-----*-----DOUBLER	A-D, N-R, V-Y	1

57-53-25

 ILLUSTRATED PARTS LIST
 01.1 Page 1086B
 Nov 01/05

FIG. & ITEM	PART NO.	AIRLINE PART NUMBER	NOMENCLATURE 1234567	EFF CODE	QTY PER ASSY
01-899	113T2320-47		...DOUBLER	A,C, N-R	1
-899A	113T2320-48		...DOUBLER	B,D, V-Y	1
900	HL11VAZ6-5		ATTACHING PARTS ...BOLT- (V60516) (SPEC BACB30NW6K5) (OPT HL11V6-5 (V92215)) (OPT HL11V6-5 (V97928)) (OPT L803-6-5 (V06725)) (OPT B30NW6K5 (V97928)) (OPT HL11VAZ6-5 (V73197)) (OPT HL11VAZ6-5 (V92215)) (OPT HL11VAZ6-5 (V56878))	A-D, N-R, V-Y	4
901	HL11VAZ6-6		...BOLT- (V60516) (SPEC BACB30NW6K6) (OPT B30NW6K6 (V97928)) (OPT HL11VAZ6-6 (V73197)) (OPT HL11VAZ6-6 (V92215)) (OPT HL11VAZ6-6 (V97928)) (OPT L803-6K6 (V06725)) (OPT HL11VAZ6-6 (V0PTK6)) (OPT HL11VAZ6-6 (V56878))	A-D, N-R, V-Y	6

57-53-25

FIG. & ITEM	PART NO.	AIRLINE PART NUMBER	NOMENCLATURE 1234567	EFF CODE	QTY PER ASSY
01-902	HL79-6		...COLLAR- (V5M902) (SPEC BACC30M6) (OPT HL79-6 (V73197)) (OPT HL79-6 (V92215)) (OPT 66014-6 (V56878)) (OPT HL79-6 (V56878)) -----*	A-D, N-R, V-Y	10
903	113T2320-53		...DOUBLER ASSY	A,C, N-R	1
-903A	113T2320-54		...DOUBLER ASSY	B,D, V-Y	1
903G	113T2320-79		...DOUBLER ASSY	E,G,J ,L, S-U,A C,AE, AG	1
-903L	113T2320-80		...DOUBLER ASSY	F,H,K ,M, Z-AB, AD,AF ,AH	1
904	HL11VAZ6-5		ATTACHING PARTS ...BOLT- (V60516) (SPEC BACB30NW6K5) (OPT HL11V6-5 (V92215)) (OPT HL11V6-5 (V97928)) (OPT L803-6-5 (V06725)) (OPT B30NW6K5 (V97928)) (OPT HL11VAZ6-5 (V73197)) (OPT HL11VAZ6-5 (V92215)) (OPT HL11VAZ6-5 (V56878))	A-AH	8

57-53-25

 ILLUSTRATED PARTS LIST
 01.1 Page 1086D
 Nov 01/05

FIG. & ITEM	PART NO.	AIRLINE PART NUMBER	NOMENCLATURE 1234567	EFF CODE	QTY PER ASSY
01-905	HL79-6		...COLLAR- (V5M902) (SPEC BACC30M6) (OPT HL79-6 (V73197)) (OPT HL79-6 (V92215)) (OPT 66014-6 (V56878)) (OPT HL79-6 (V56878)) -----*	A-AH	8
906	NS103194-02-4		...NUTPLATE- (V80539) (SPEC BACN10KE3E4) (OPT F51752-3-4 (V15653)) (OPT RMF9216-4-3 (V72962)) (OPT BRFR120A3-4 (V52828))	A-D, N-R, V-Y	2
-906A	NS103194-02-2		...NUTPLATE- (V80539) (SPEC BACN10KE3E2) (OPT F51752-3-2 (V15653)) (OPT RMF9216-2-3 (V72962)) (OPT BRFR120A3-2 (V52828))	E-M, S-U, Z-AH	2

57-53-25

FIG. & ITEM	PART NO.	AIRLINE PART NUMBER	NOMENCLATURE 1234567	EFF CODE	QTY PER ASSY
01-907	NS103191-02-4	NUTPLATE- (V80539) (SPEC BACN10KE3B4) (OPT F51750-3-4 (V15653)) (OPT RMF9213-4-3 (V72962)) (OPT BRFR220A3-4 (V52828))	A-D, N-R, V-Y	8
-907A	NS103191-02-2	NUTPLATE- (V80539) (SPEC BACN10KE3B2) (OPT F51750-3-2 (V15653)) (OPT RMF9213-2-3 (V72962)) (OPT BRFR220A3-2 (V52825)) ATTACHING PARTS	E-M, S-U, Z-AH	8
908	BACR15BA3AD	RIVET- (SIZE DETERMINE ON INST) -----*-----	A-AH	20
909	113T2320-55	DOUBLER	A,C,E ,G,J, L,N-U ,AC,A E,AG	1
-909A	113T2320-56	DOUBLER	B,D,F ,H,K, M,V-A B,AD, AF,AH	1

57-53-25

 ILLUSTRATED PARTS LIST
 01.1 Page 1086F
 Nov 01/05

FIG. & ITEM	PART NO.	AIRLINE PART NUMBER	NOMENCLATURE 1234567	EFF CODE	QTY PER ASSY
01-910	113T2320-23		...DOUBLER ASSY	A,C,E ,G,J, L,N-U ,AC,A E,AG	1
-910A	113T2320-24		...DOUBLER ASSY	B,D,F ,H,K, M,V-A B,AD, AF,AH	1
911	BACR15CE6KE		ATTACHING PARTS ...RIVET- (SIZE DETERMINE ON INST) -----*-----	A-AH	2
912	NS103191-02-4		...NUTPLATE- (V80539) (SPEC BACN10KE3B4) (OPT F51750-3-4 (V15653)) (OPT RMF9213-4-3 (V72962)) (OPT BRFR220A3-4 (V52828)) ATTACHING PARTS	A-AH	2
913	BACR15BA3AD		...RIVET- (SIZE DETERMINE ON INST) -----*-----	A-AH	4
914	113T2320-25	DOUBLER	A-AH	1
916	113T2332-1		...SPAR ASSY-WEDGE (USED ON ITEM 870)	A,C, N-R	1
-916A	113T2332-2		...SPAR ASSY-WEDGE (USED ON ITEM 871)	B,D, V-Y	1
-916B	113T2332-3		...SPAR ASSY-WEDGE (USED ON ITEM 870A)	A,C,E ,G,J, L,N-U ,AC,A E,AG	1
-916C	113T2332-4		...SPAR ASSY-WEDGE (USED ON ITEM 871A)	B,D,F ,H,K, M,V-A B,AD, AF,AH	1

57-53-25

FIG. & ITEM	PART NO.	AIRLINE PART NUMBER	NOMENCLATURE 1234567	EFF CODE	QTY PER ASSY
01-					
917	HL11VAZ6-6		ATTACHING PARTS ...BOLT- (V60516) (SPEC BACB30NW6K6) (OPT B30NW6K6 (V97928)) (OPT HL11VAZ6-6 (V73197)) (OPT HL11VAZ6-6 (V92215)) (OPT HL11VAZ6-6 (V97928)) (OPT L803-6K6 (V06725)) (OPT HL11VAZ6-6 (V0PTK6)) (OPT HL11VAZ6-6 (V56878))	A-AH	12
918	HL79-6		...COLLAR- (V5M902) (SPEC BACC30M6) (OPT HL79-6 (V73197)) (OPT HL79-6 (V92215)) (OPT 66014-6 (V56878)) (OPT HL79-6 (V56878)) -----*-----	A-AH	12
920	113T2331-1	CLIP- (USED ON ITEMS 916, 916A)	A-D, N-R, V-Y	2
920A	113T2331-1	CLIP- (USED ON ITEMS 916B, 916C)	A-AH	3

57-53-25

 ILLUSTRATED PARTS LIST
 01.1 Page 1086H
 Nov 01/05

FIG. & ITEM	PART NO.	AIRLINE PART NUMBER	NOMENCLATURE 1234567	EFF CODE	QTY PER ASSY
01-922	HL11VAZ6-3	BOLT- (V60516) (SPEC BACB30NW6K3) (OPT B30NW6K3 (V97928)) (OPT HL11VAZ6-3 (V73197)) (OPT HL11VAZ6-3 (V92215)) (OPT HL11VAZ6-3 (V97928)) (OPT L803-6K3 (V06725)) (OPT HL11VAZ6-3 (V0PTK6)) (OPT HL11VAZ6-3 (V56878))	A-AH	6
924	HL79-6	COLLAR- (V5M902) (SPEC BACC30M6) (OPT HL79-6 (V73197)) (OPT HL79-6 (V92215)) (OPT 66014-6 (V56878)) (OPT HL79-6 (V56878))	A-AH	6
926	113T2331-2	CLIP	A-AH	12
926A	113T2331-2		DELETED		
927	113T2331-2		DELETED		
928	BACR15CE5KE	RIVET- (SIZE DETERMINE ON INST)	A-AH	36
930	113T2343-19	FITTING ASSY- (USED ON ITEMS 916, 916A)	A-D, N-R, V-Y	1
932	113T2343-15	FITTING ASSY- (USED ON ITEM 916)	A,C, N-R	1
-932A	113T2343-16	FITTING ASSY- (USED ON ITEM 916A) 916C)	B,D, V-Y	1

57-53-25

FIG. & ITEM	PART NO.	AIRLINE PART NUMBER	NOMENCLATURE 1234567	EFF CODE	QTY PER ASSY
01- 934	HL11VAZ6-3		ATTACHING PARTSBOLT- (V60516) (SPEC BACB30NW6K3) (OPT B30NW6K3 (V97928)) (OPT HL11VAZ6-3 (V73197)) (OPT HL11VAZ6-3 (V92215)) (OPT HL11VAZ6-3 (V97928)) (OPT L803-6K3 (V06725)) (OPT HL11VAZ6-3 (V0PTK6)) (OPT HL11VAZ6-3 (V56878))	A-D, N-R, V-Y	8
936	HL79-6	COLLAR- (V5M902) (SPEC BACC30M6) (OPT HL79-6 (V73197)) (OPT HL79-6 (V92215)) (OPT 66014-6 (V56878)) (OPT HL79-6 (V56878)) -----*-----	A-D, N-R, V-Y	8
938	NS103193-048	NUTPLATE- (V80539) (SPEC BACN10KE4D) (OPT F51754-4 (V15653))	A-D, N-R, V-Y	1
940	BACR15BA3AD		ATTACHING PARTSRIVET- (SIZE DETERMINE ON INST)	A-D, N-R, V-Y	2
942	113T2343-27		-----*-----SHIM	A-D, N-R, V-Y	1

57-53-25

 ILLUSTRATED PARTS LIST
 01.1 Page 1086J
 Nov 01/05

FIG. & ITEM	PART NO.	AIRLINE PART NUMBER	NOMENCLATURE 1234567	EFF CODE	QTY PER ASSY
01-944	113T2343-21	FITTING- (USED ON ITEM 930)	A-D, N-R, V-Y	1
946	113T2343-17	FITTING- (USED ON ITEM 932)	A,C, N-R	1
-946A	113T2343-18	FITTING- (USED ON ITEM 932A)	B,D, V-Y	1
948	113T2343-13		DELETED		
948A	113T2343-29	FITTING	A-AH	1
950	HL11VAZ6-4	BOLT- (V60516) (SPEC BACB30NW6K4) (OPT HL11V6-4 (V92215)) (OPT HL11V6-4 (V97928)) (OPT L803-6-4 (V06725)) (OPT B30NW6K4 (V97928)) (OPT HL11VAZ6-4 (V73197)) (OPT HL11VAZ6-4 (V92215)) (OPT HL11VAZ6-4 (V56878))	A-AH	6
952	HL79-6	COLLAR- (V5M902) (SPEC BACC30M6) (OPT HL79-6 (V73197)) (OPT HL79-6 (V92215)) (OPT 66014-6 (V56878)) (OPT HL79-6 (V56878))	A-AH	6

57-53-25

FIG. & ITEM	PART NO.	AIRLINE PART NUMBER	NOMENCLATURE 1234567	EFF CODE	QTY PER ASSY
01-954	BACS40R08C28F	SHIM	A-AH	1
956	113T2343-9	FITTING ASSY	A,C,E G,J L,N-U AC,A E,AG	1
-956A	113T2343-10	FITTING ASSY	B,D,F H,K M,V-A B,AD AF,AH	1
958	HL11VAZ6-4		ATTACHING PARTSBOLT- (V60516) (SPEC BACB30NW6K4) (OPT HL11V6-4 (V92215)) (OPT HL11V6-4 (V97928)) (OPT L803-6-4 (V06725)) (OPT B30NW6K4 (V97928)) (OPT HL11VAZ6-4 (V73197)) (OPT HL11VAZ6-4 (V92215)) (OPT HL11VAZ6-4 (V56878))	A-AH	9

57-53-25

 ILLUSTRATED PARTS LIST
 01.1 Page 1086L
 Nov 01/05

FIG. & ITEM	PART NO.	AIRLINE PART NUMBER	NOMENCLATURE 1234567	EFF CODE	QTY PER ASSY
01-960	HL79-6	COLLAR- (V5M902) (SPEC BACC30M6) (OPT HL79-6 (V73197)) (OPT HL79-6 (V92215)) (OPT 66014-6 (V56878)) (OPT HL79-6 (V56878)) -----*	A-AH	9
964	BACB28AM06B019A	BUSHING	A-AH	1
966	113T2104-18	BUSHING	A-AH	1
967	BACS40R18B32F	SHIM	A-AH	2
968	113T2343-11	FITTING	A,C,E ,G,J, L,N-U ,AC,A E,AG	1
-968A	113T2343-12	FITTING	B,D,F ,H,K, M,V-A B,AD, AF,AH	1
970	113T2343-5	FITTING ASSY	A,C,E ,G,J, L,N-U ,AC,A E,AG	1

57-53-25

FIG. & ITEM	PART NO.	AIRLINE PART NUMBER	NOMENCLATURE 1234567	EFF CODE	QTY PER ASSY
01- -970A	113T2343-6	FITTING ASSY	B,D,F H,K, M,V-A B,AD, AF,AH	1
972	HL11VAZ6-4		ATTACHING PARTSBOLT- (V60516) (SPEC BACB30NW6K4) (OPT HL11V6-4 (V92215)) (OPT HL11V6-4 (V97928)) (OPT L803-6-4 (V06725)) (OPT B30NW6K4 (V97928)) (OPT HL11VAZ6-4 (V73197)) (OPT HL11VAZ6-4 (V92215)) (OPT HL11VAZ6-4 (V56878))	A-AH	9
974	HL79-6	COLLAR- (V5M902) (SPEC BACC30M6) (OPT HL79-6 (V73197)) (OPT HL79-6 (V92215)) (OPT 66014-6 (V56878)) (OPT HL79-6 (V56878)) -----*	A-AH	9
978	NS103193-048	NUTPLATE- (V80539) (SPEC BACN10KE4D) (OPT F51754-4 (V15653)) ATTACHING PARTS	A-AH	2
980	BACR15BA3AD	RIVET- (SIZE DETERMINE ON INST) -----*	A-AH	4
982	113T2343-28	SHIM	A-AH	2

57-53-25

 ILLUSTRATED PARTS LIST
 01.1 Page 1086N
 Nov 01/05

FIG. & ITEM	PART NO.	AIRLINE PART NUMBER	NOMENCLATURE 1234567	EFF CODE	QTY PER ASSY
01-984	113T2343-7	FITTING	A,C,E ,G,J, L,N-U ,AC,A E,AG	1
-984A	113T2343-8	FITTING	B,D,F ,H,K, M,V-A B,AD, AF,AH	1
985	BACS40R18C38F	SHIM	A-AH	1
986	113T2343-1	FITTING ASSY	A,C,E ,G,J, L,N-U ,AC,A E,AG	1
-986A	113T2343-2	FITTING ASSY	B,D,F ,H,K, M,V-A B,AD, AF,AH	1
987	HL11VAZ6-4		ATTACHING PARTSBOLT- (V60516) (SPEC BACB30NW6K4) (OPT HL11V6-4 (V92215)) (OPT HL11V6-4 (V97928)) (OPT L803-6-4 (V06725)) (OPT B30NW6K4 (V97928)) (OPT HL11VAZ6-4 (V73197)) (OPT HL11VAZ6-4 (V92215)) (OPT HL11VAZ6-4 (V56878))	A-AH	9

57-53-25

FIG. & ITEM	PART NO.	AIRLINE PART NUMBER	NOMENCLATURE 1234567	EFF CODE	QTY PER ASSY
01-988	HL79-6	COLLAR- (V5M902) (SPEC BACC30M6) (OPT HL79-6 (V73197)) (OPT HL79-6 (V92215)) (OPT 66014-6 (V56878)) (OPT HL79-6 (V56878)) -----*	A-AH	9
991	BACB28AM06B019A	BUSHING	A-AH	1
992	113T2104-18	BUSHING	A-AH	1
993	113T2343-3	FITTING	A,C,E ,G,J, L,N-U ,AC,A E,AG	1
-993A	113T2343-4	FITTING	B,D,F ,H,K, M,V-A B,AD, AF,AH	1
994	BACS40R18B33F	SHIM	A-AH	2
995	113T2330-1	SPAR-WEDGE	A,C,E ,G,J, L,N-U ,AC,A E,AG	1

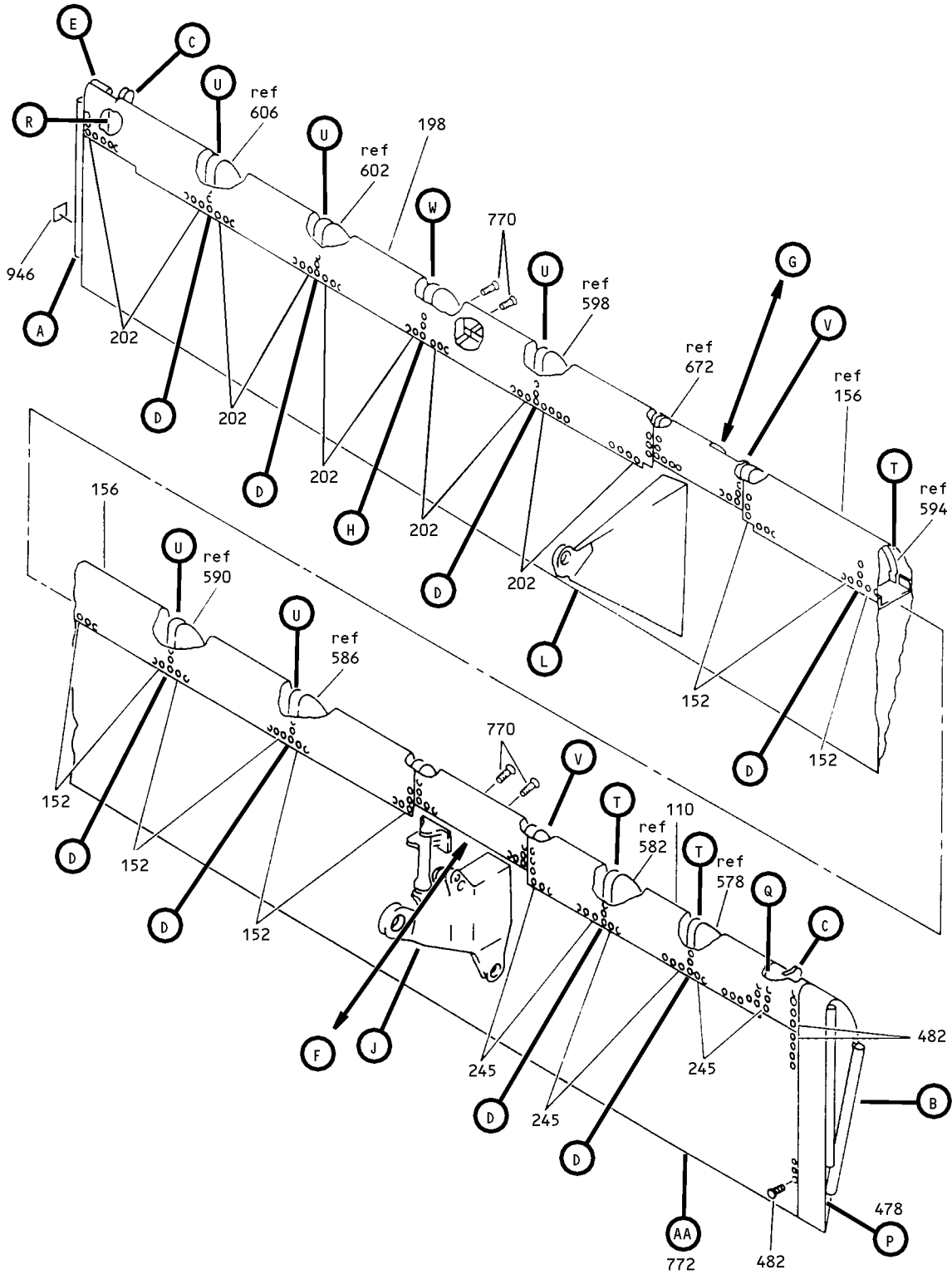
57-53-25

 ILLUSTRATED PARTS LIST
 01.1 Page 1086P
 Nov 01/05

FIG. & ITEM	PART NO.	AIRLINE PART NUMBER	NOMENCLATURE	EFF CODE	QTY PER ASSY
			1234567		
01- -995A	113T2330-2	SPAR-WEDGE	B,D,F ,H,K, M,V-A B,AD, AF,AH	1
997 997A	MS27253-3F MS27253F3		DELETED ..PLATE DELETED	A-AH	1

R
R

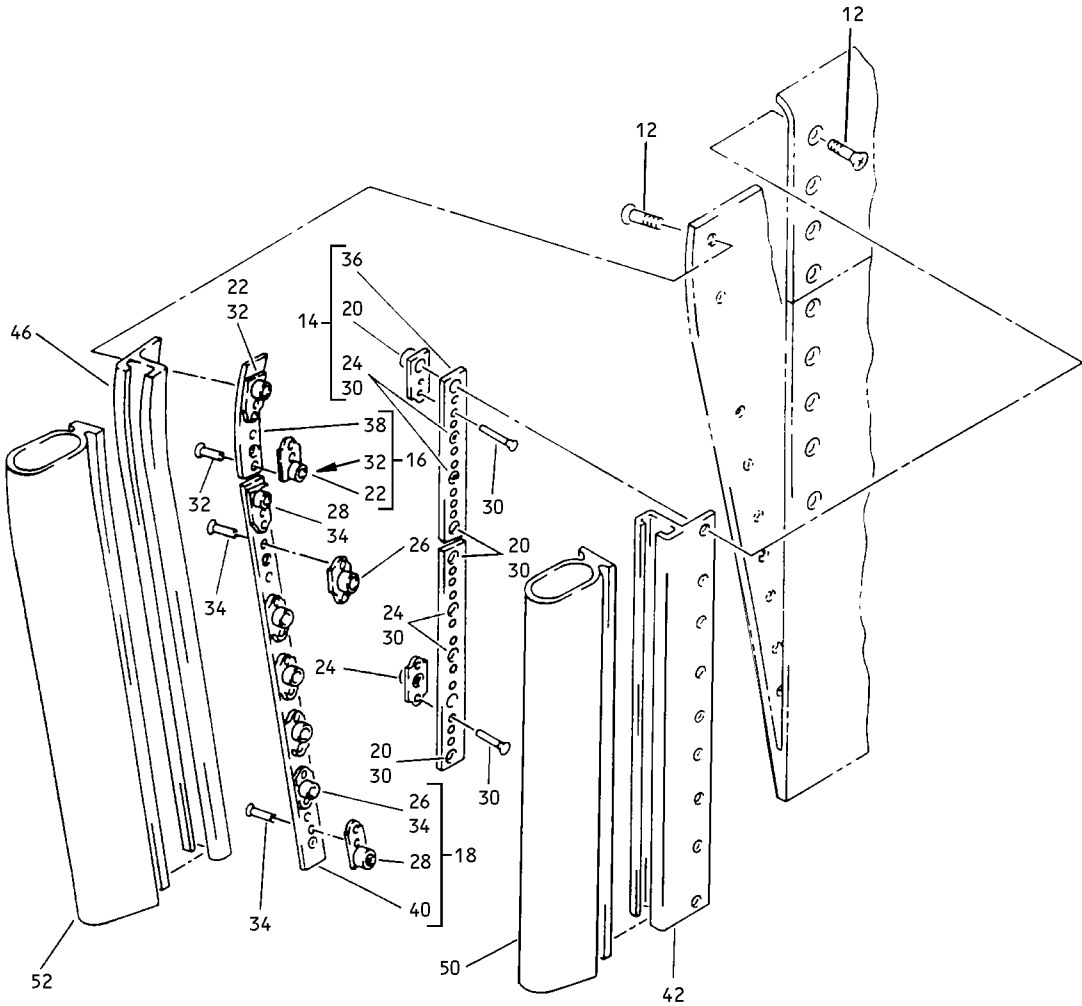
- Item Not Illustrated



Inboard Trailing Edge Flap Aft Flap Assembly
 Figure 2 (Sheet 1)

57-53-25

ILLUSTRATED PARTS LIST
 01.1 Page 1086R
 Nov 01/05

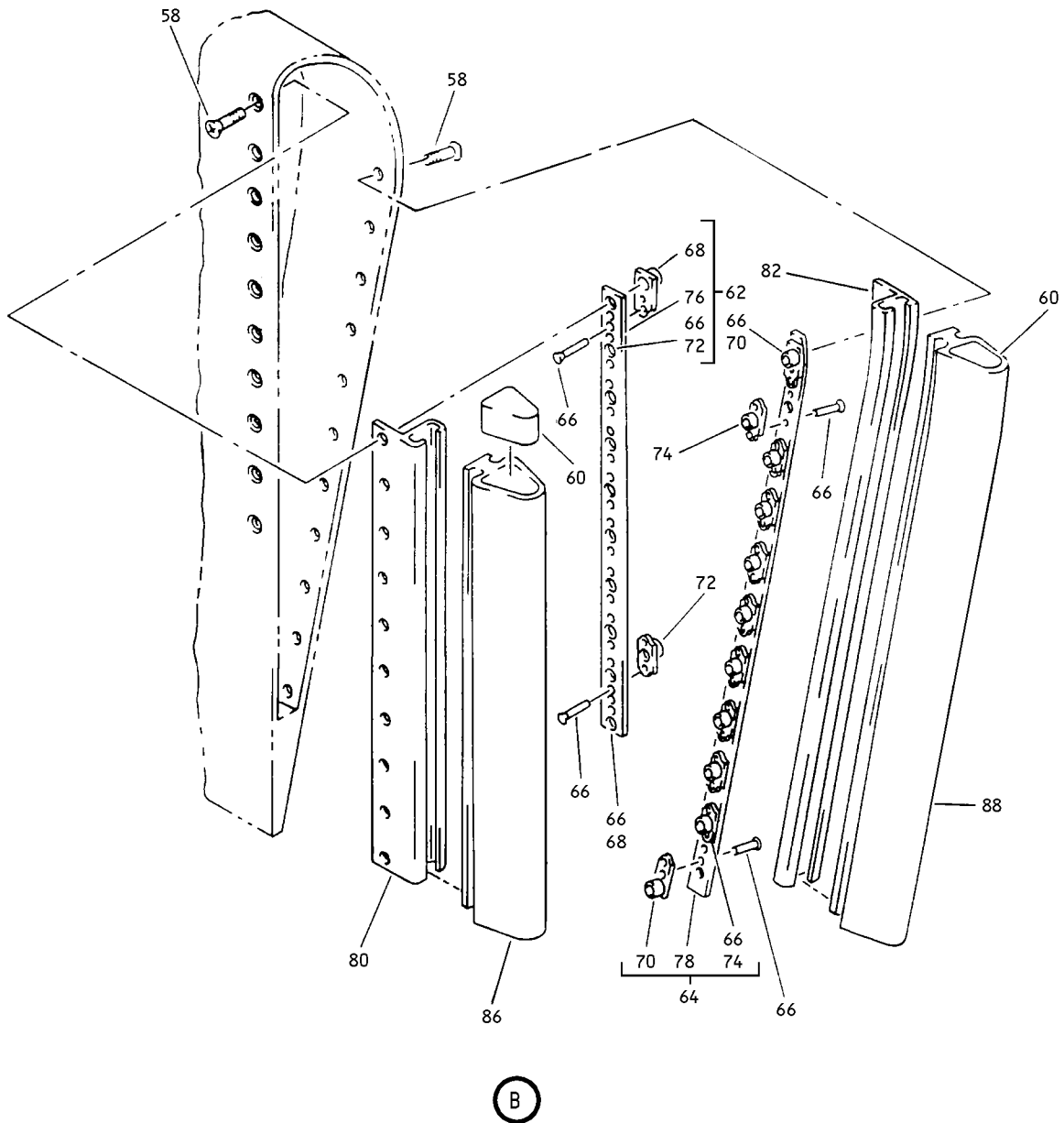


A

Inboard Trailing Edge Flap Aft Flap Assembly
Figure 2 (Sheet 2)

57-53-25

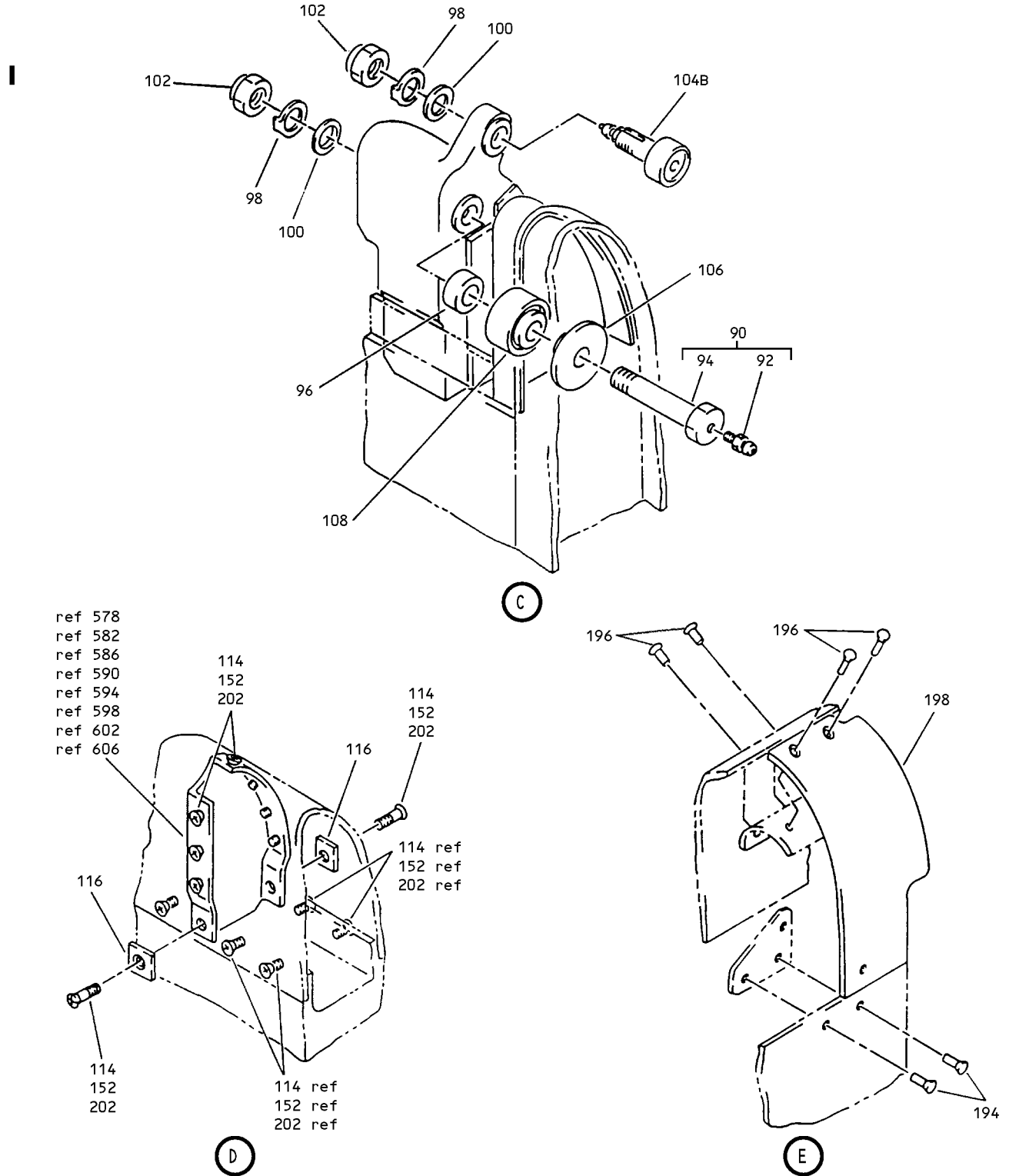
ILLUSTRATED PARTS LIST
01.1 Page 1086S
Nov 01/05



Inboard Trailing Edge Flap Aft Flap Assembly
 Figure 2 (Sheet 3)

57-53-25

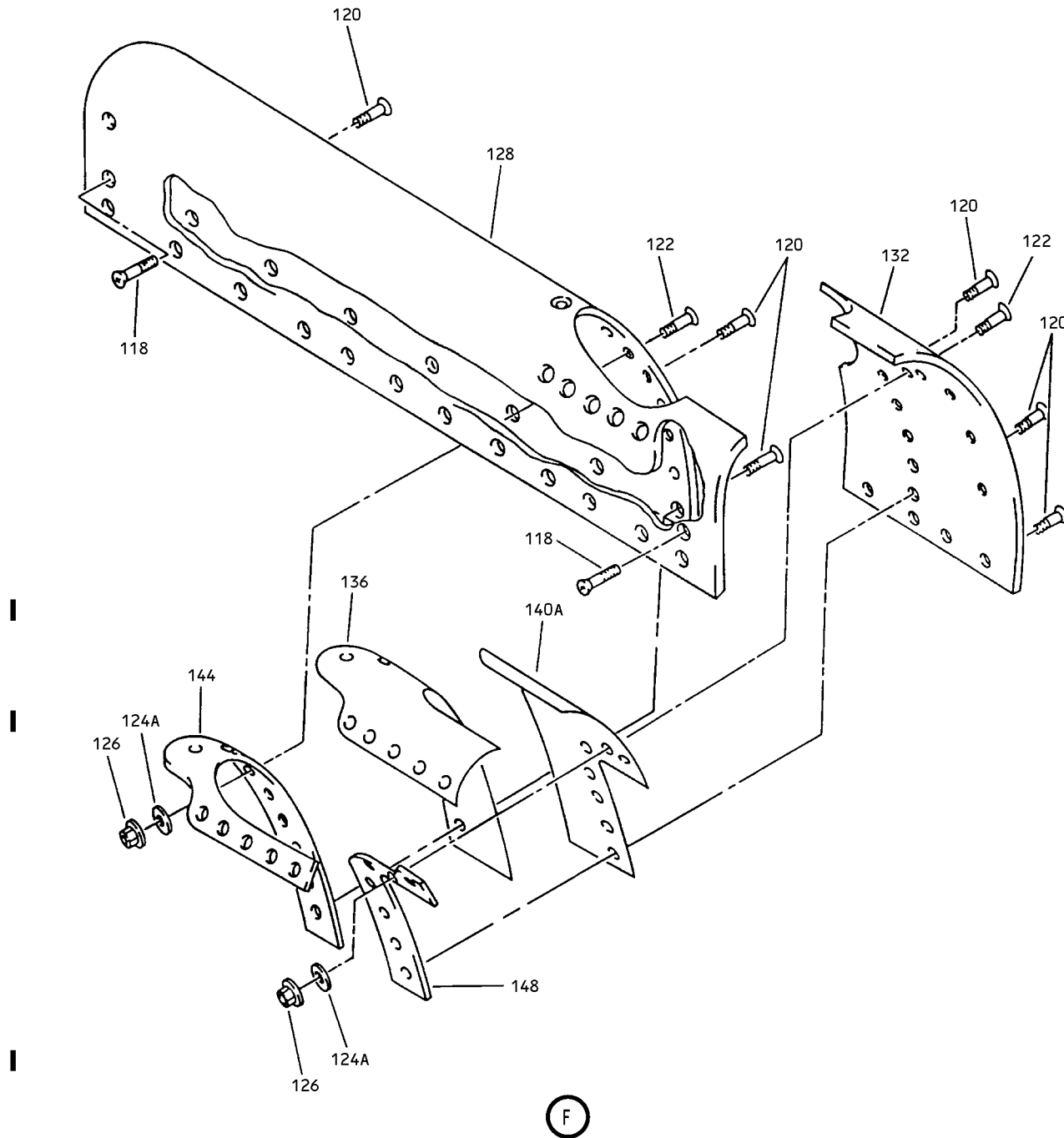
ILLUSTRATED PARTS LIST
 01.1 Page 1086T
 Nov 01/05



Inboard Trailing Edge Flap Aft Flap Assembly
 Figure 2 (Sheet 4)

57-53-25

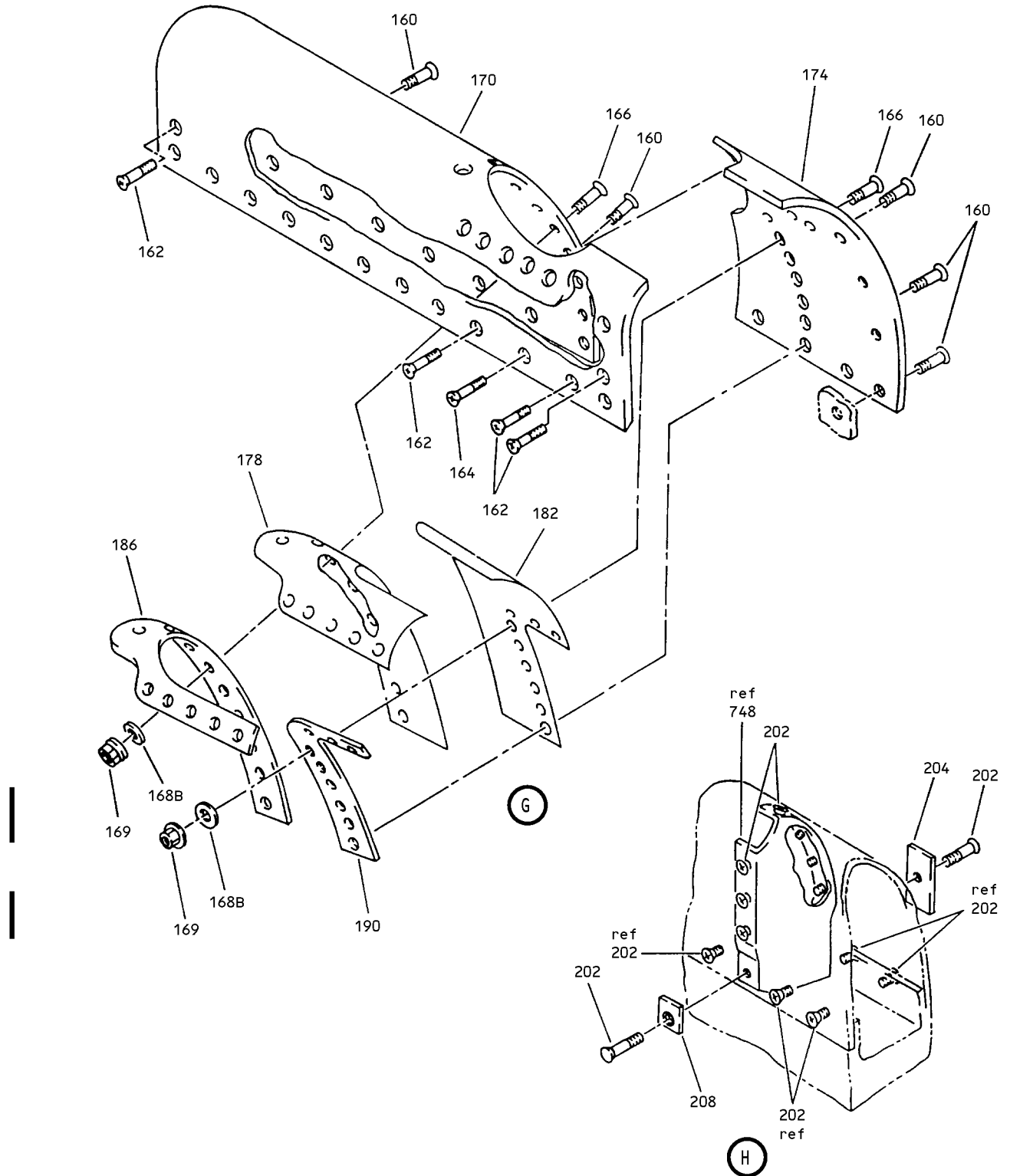
ILLUSTRATED PARTS LIST
 01.1 Page 1086U
 Nov 01/05



Inboard Trailing Edge Flap Aft Flap Assembly
Figure 2 (Sheet 5)

57-53-25

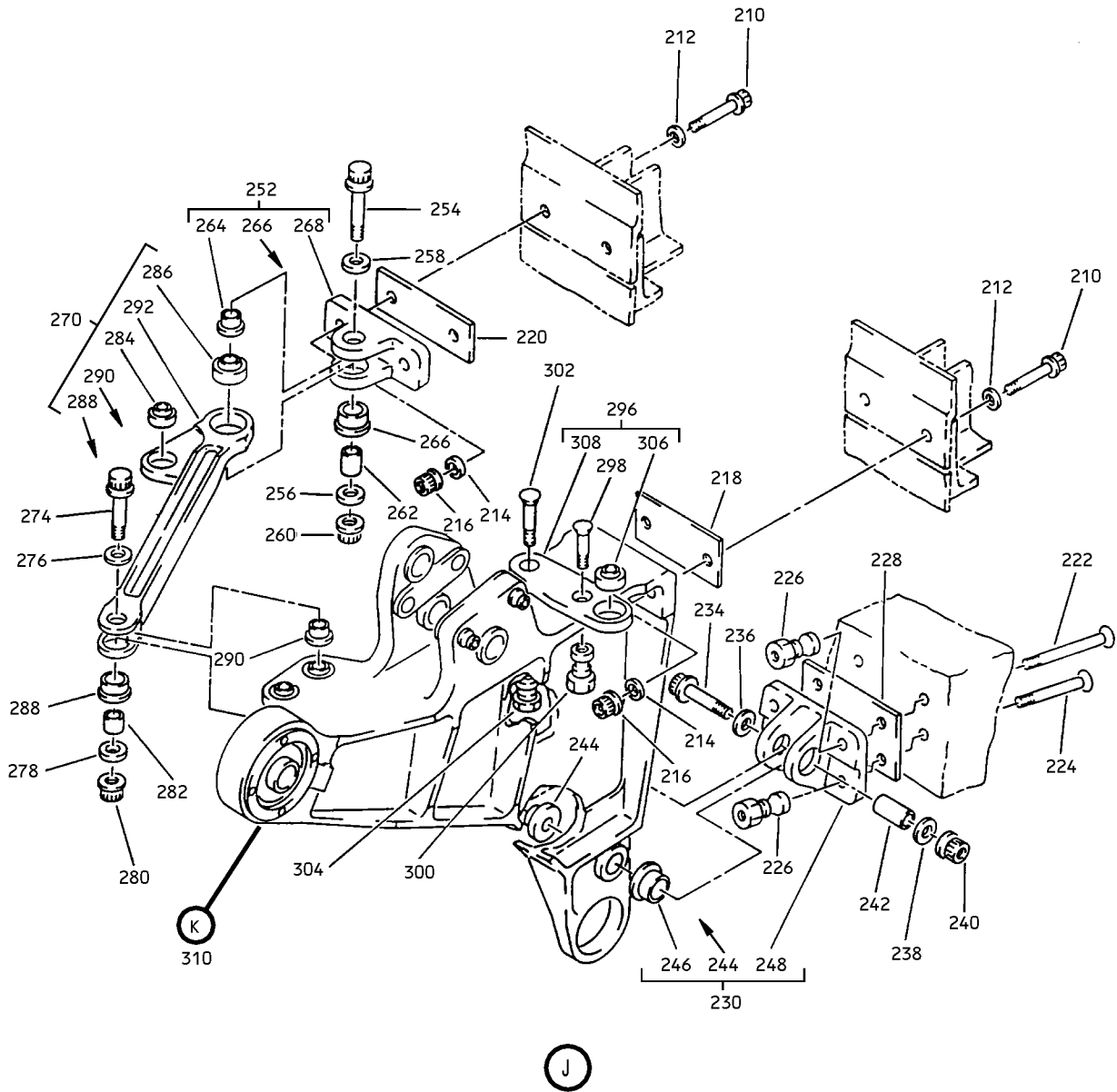
ILLUSTRATED PARTS LIST
01.1 Page 1086V
Nov 01/05



Inboard Trailing Edge Flap Aft Flap Assembly
Figure 2 (Sheet 6)

57-53-25

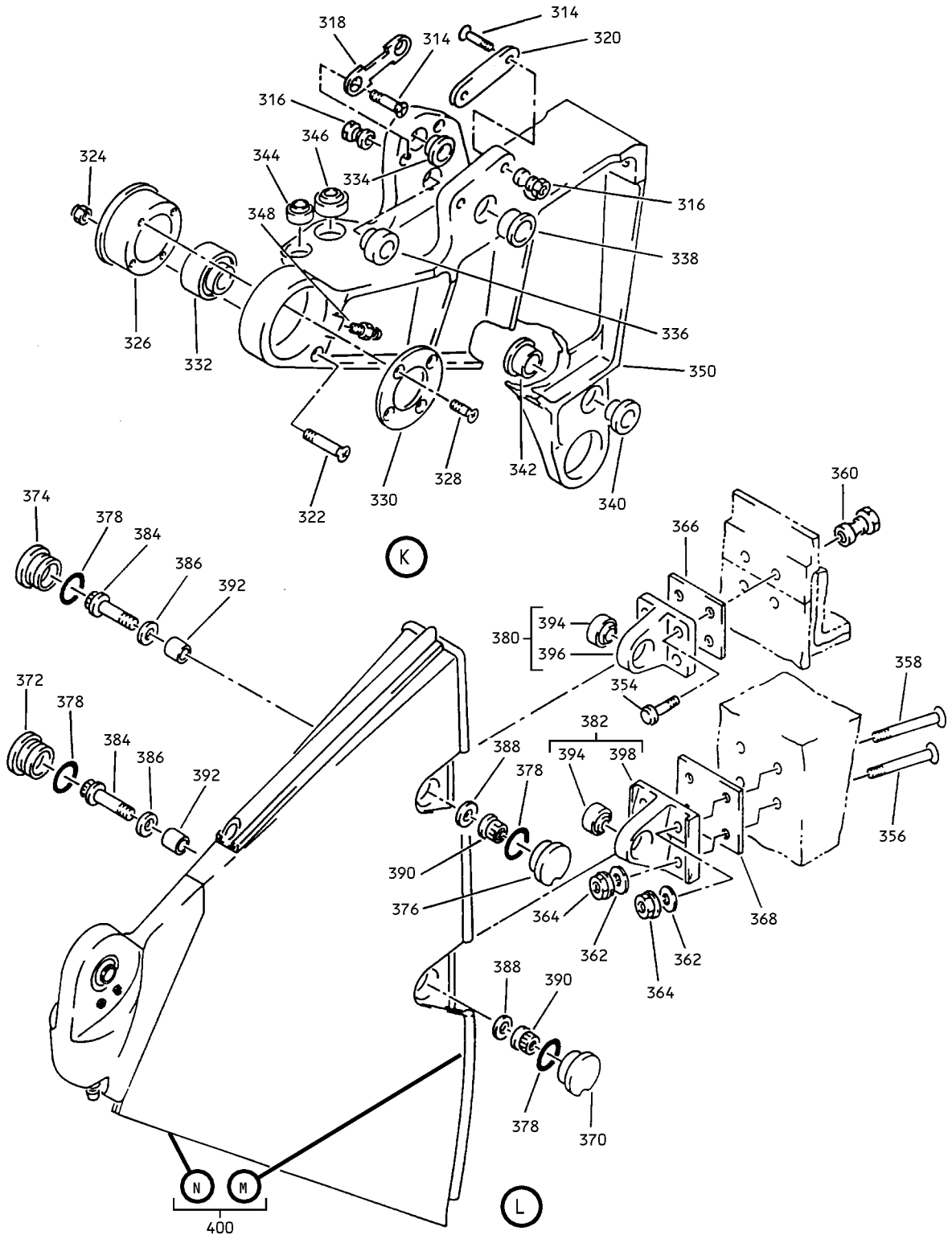
ILLUSTRATED PARTS LIST
01.1 Page 1086W
Nov 01/05



Inboard Trailing Edge Flap Aft Flap Assembly
 Figure 2 (Sheet 7)

57-53-25

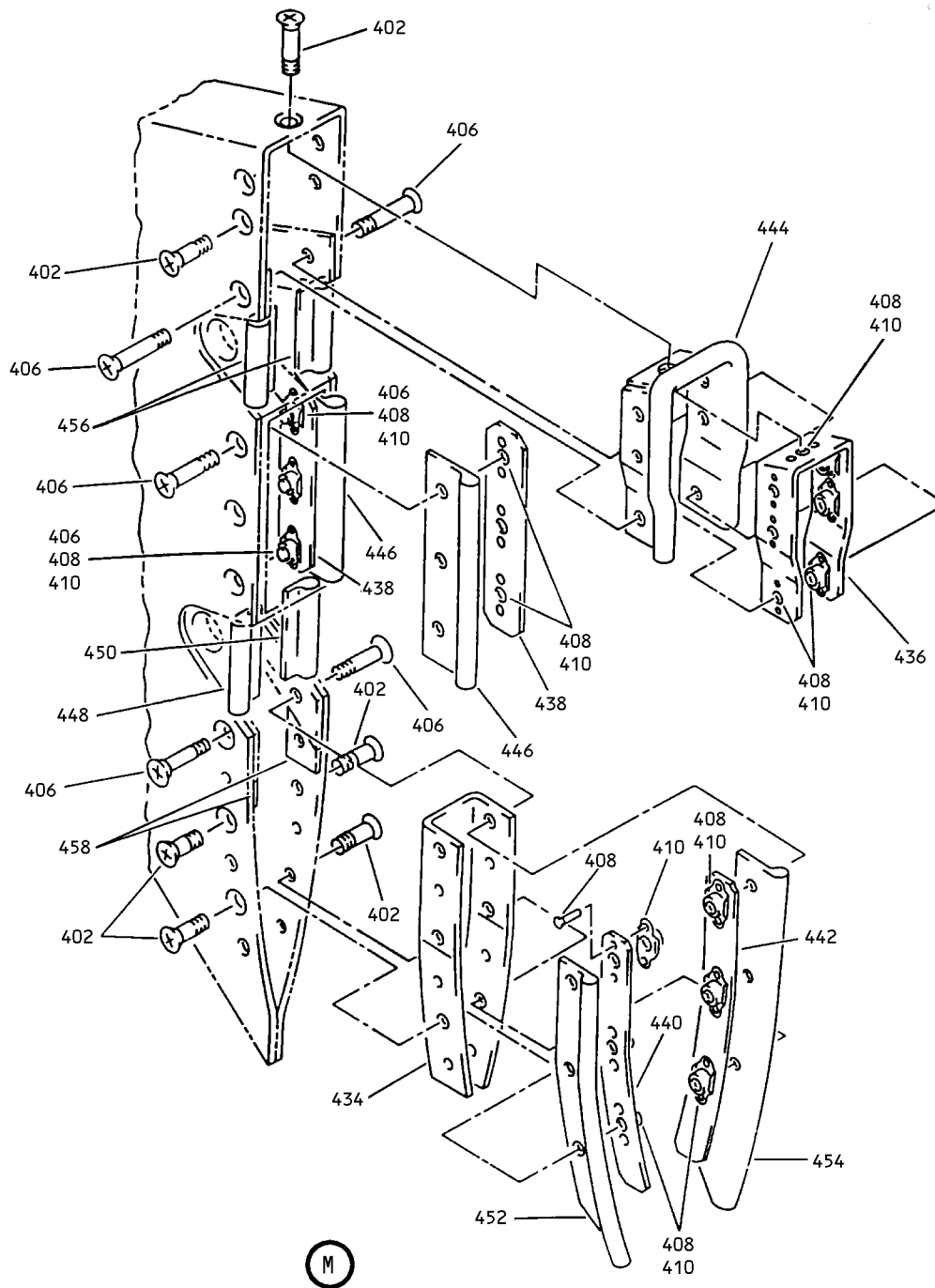
ILLUSTRATED PARTS LIST
 01.1 Page 1086X
 Nov 01/05



Inboard Trailing Edge Flap Aft Flap Assembly
Figure 2 (Sheet 8)

57-53-25

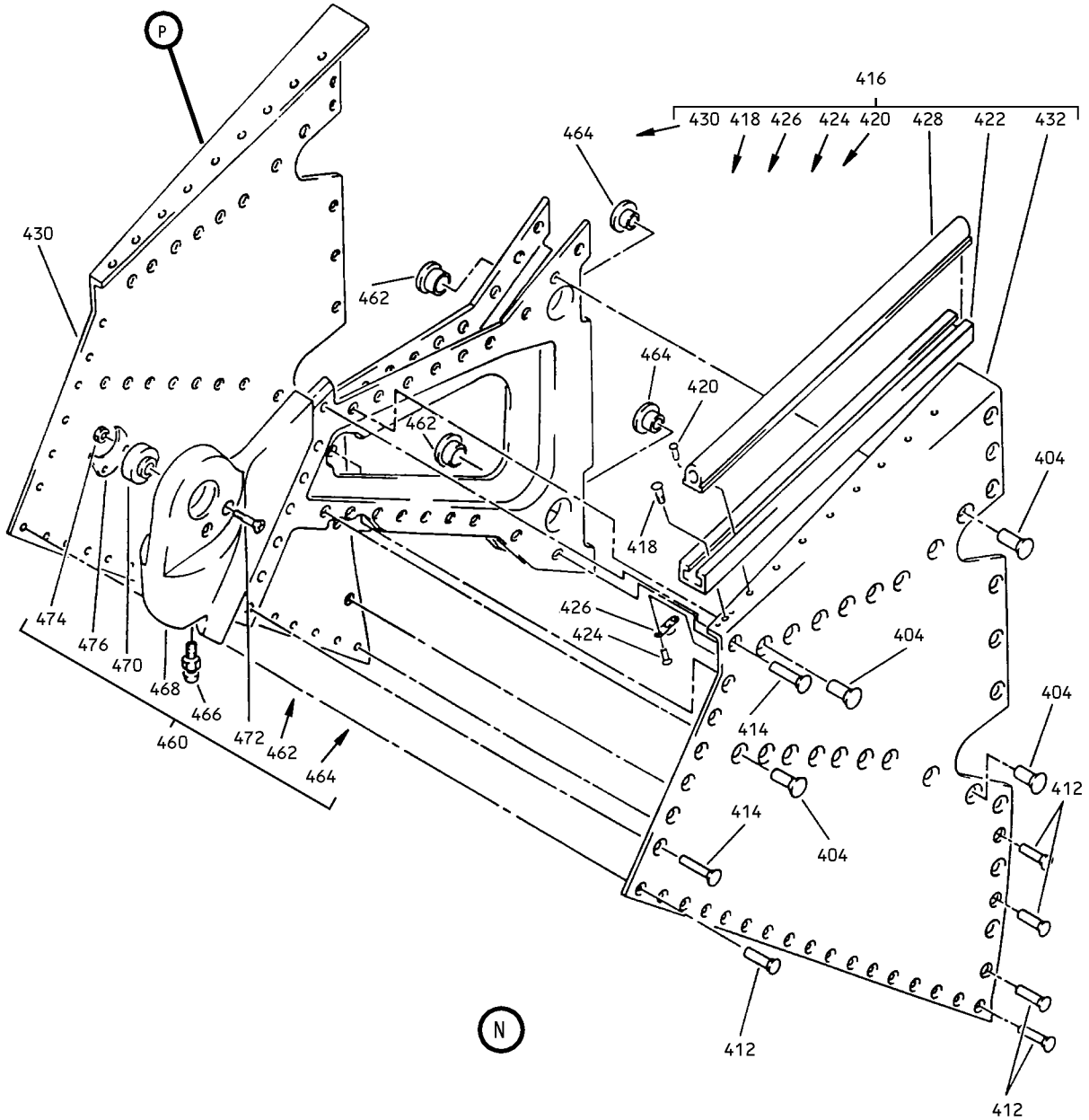
ILLUSTRATED PARTS LIST
01.1 Page 1086Y
Nov 01/05



Inboard Trailing Edge Flap Aft Flap Assembly
 Figure 2 (Sheet 9)

57-53-25

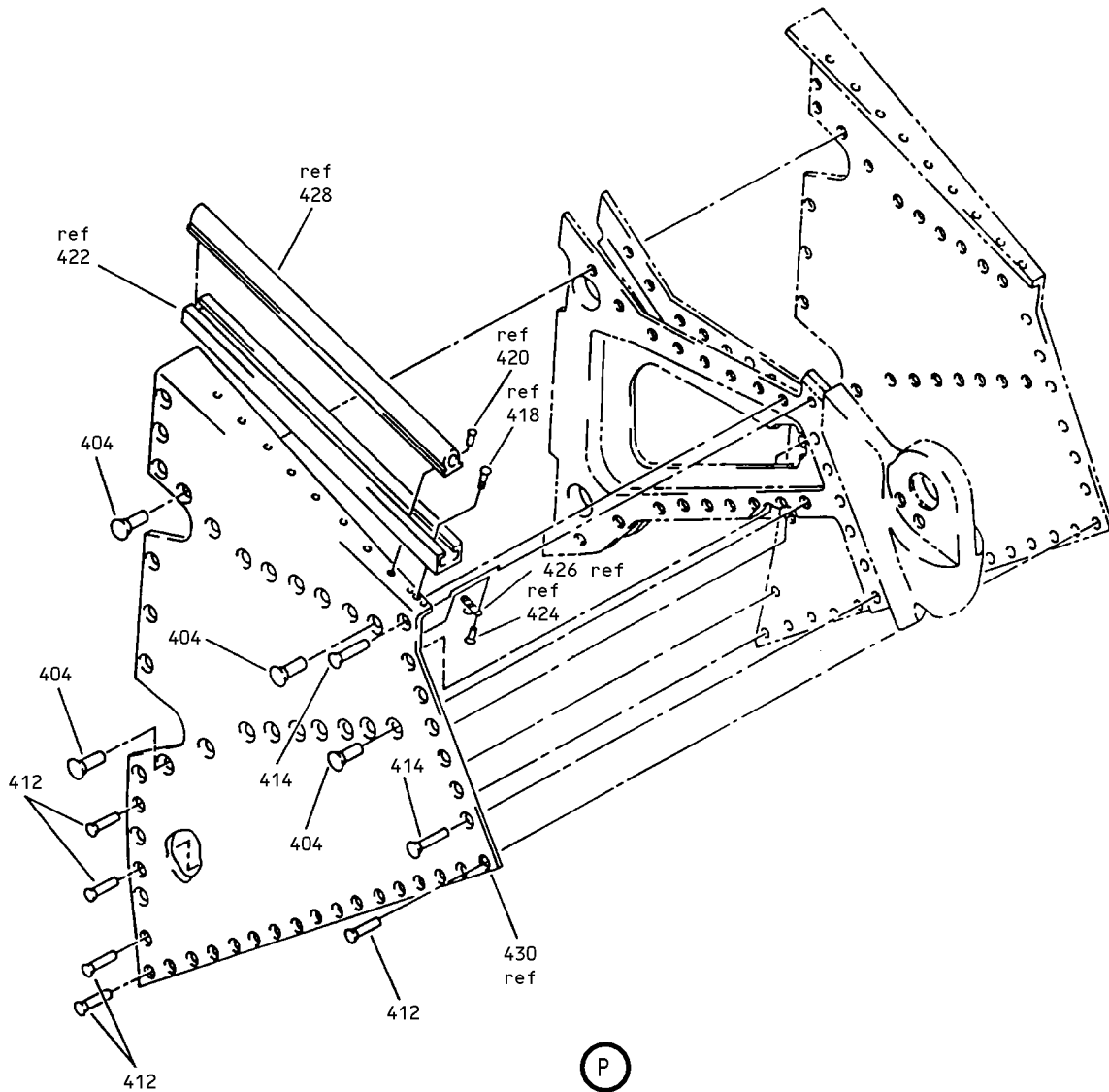
ILLUSTRATED PARTS LIST
 01.1 Page 1086Z
 Nov 01/05



Inboard Trailing Edge Flap Aft Flap Assembly
Figure 2 (Sheet 10)

57-53-25

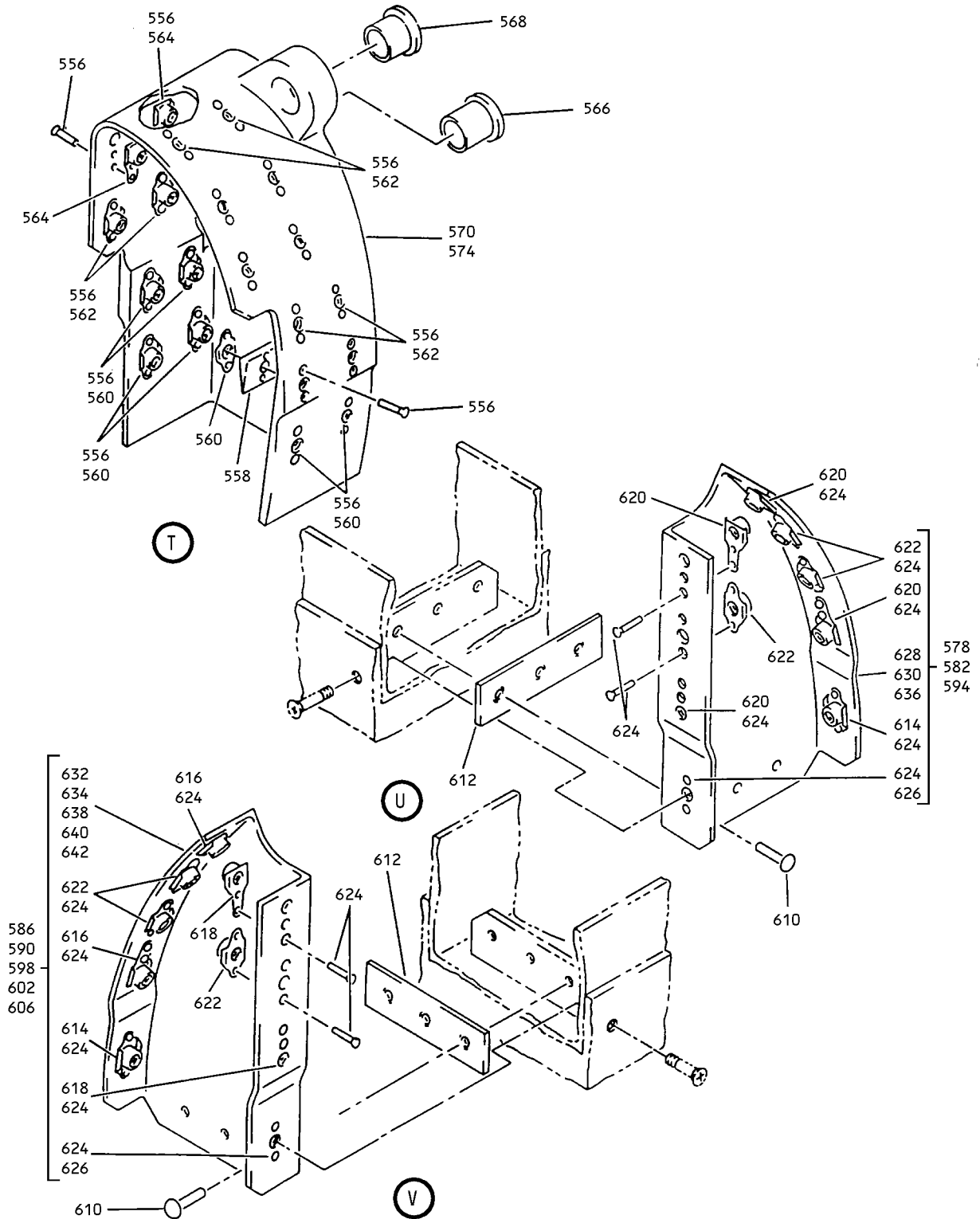
ILLUSTRATED PARTS LIST
01.1 Page 1087
Nov 01/05



Inboard Trailing Edge Flap Aft Flap Assembly
Figure 2 (Sheet 11)

57-53-25

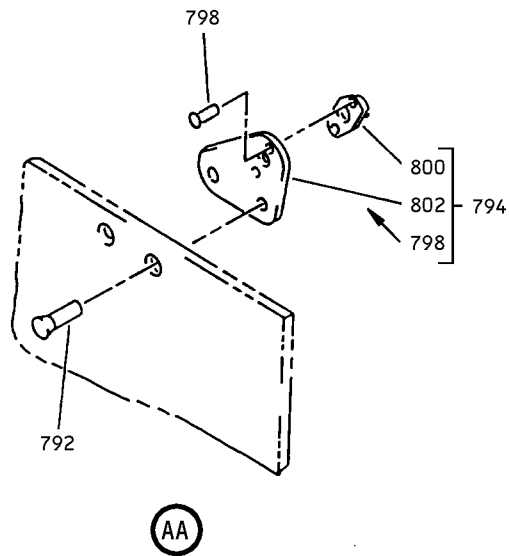
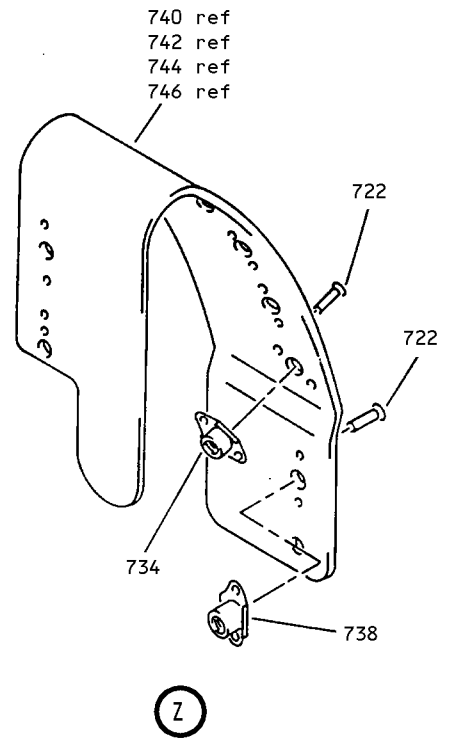
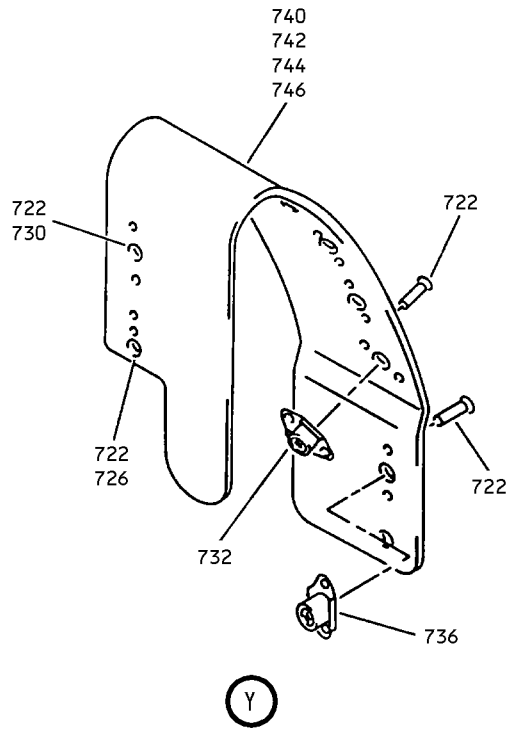
ILLUSTRATED PARTS LIST
01.1 Page 1088
Nov 01/05



Inboard Trailing Edge Flap Aft Flap Assembly
 Figure 2 (Sheet 14)

57-53-25

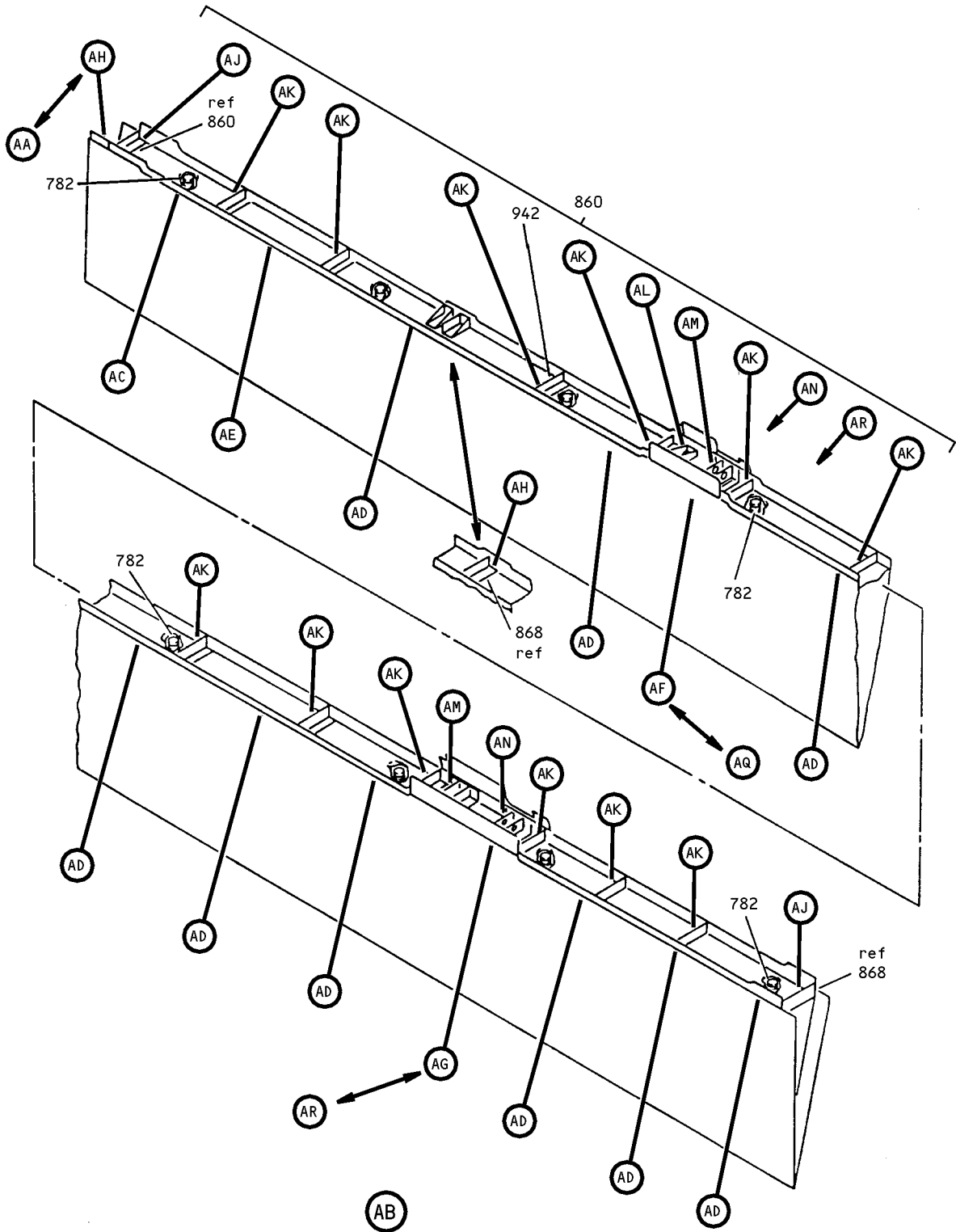
ILLUSTRATED PARTS LIST
 01.1 Page 1088C
 Nov 01/05



Inboard Trailing Edge Flap Aft Flap Assembly
Figure 2 (Sheet 16)

57-53-25

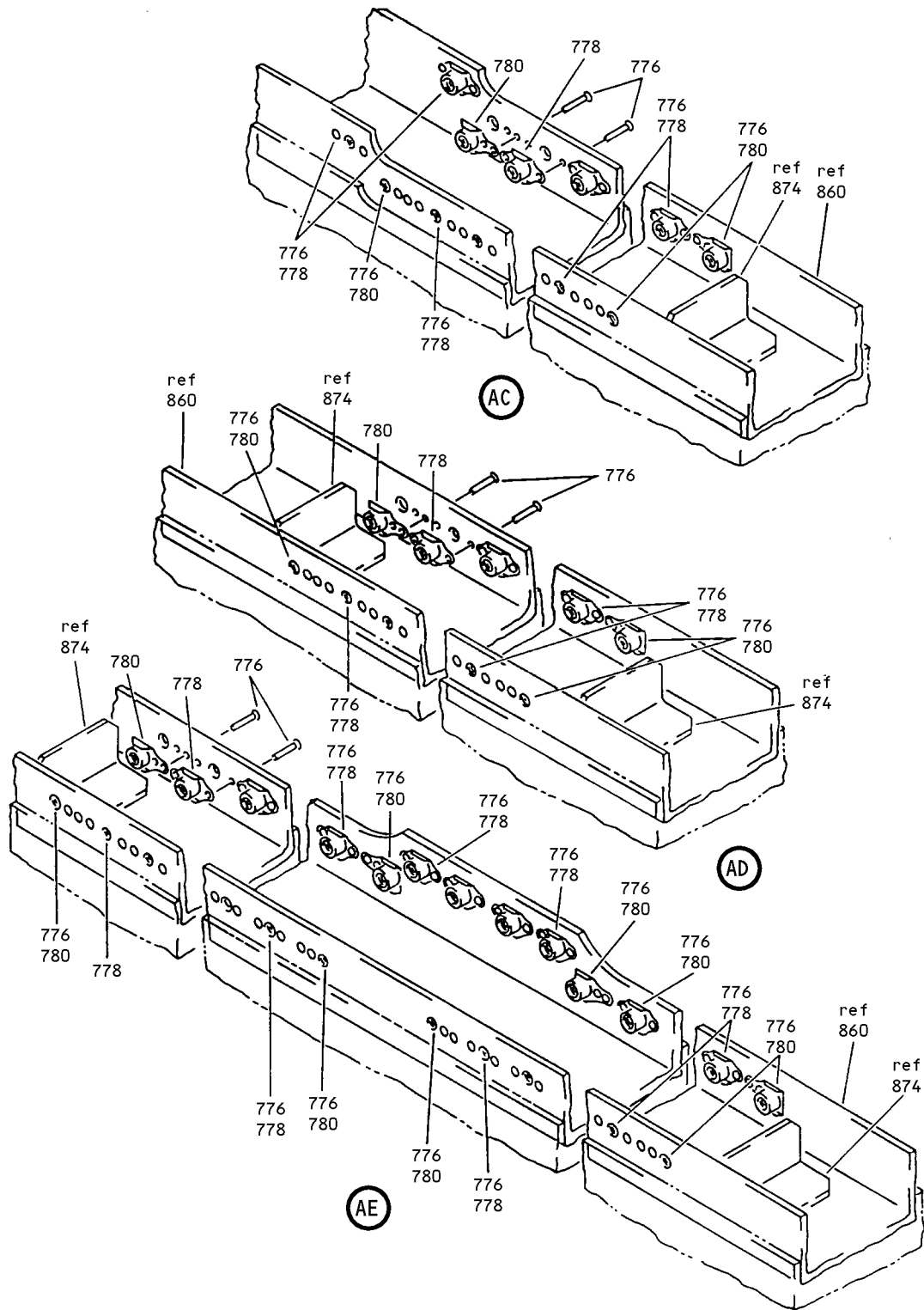
ILLUSTRATED PARTS LIST
01.1 Page 1088E
Nov 01/05



Inboard Trailing Edge Flap Aft Flap Assembly
 Figure 2 (Sheet 17)

57-53-25

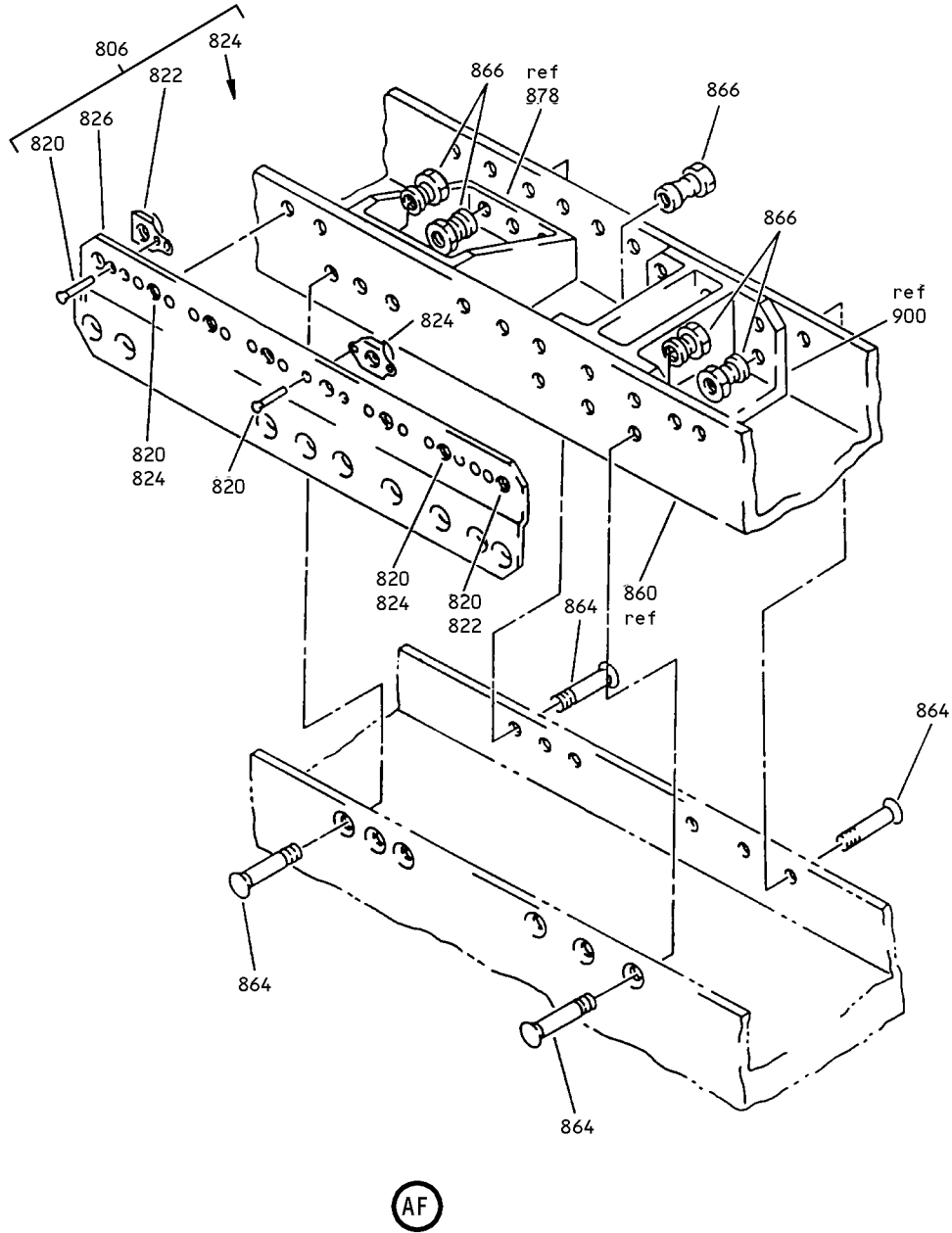
ILLUSTRATED PARTS LIST
 01.1 Page 1088F
 Nov 01/05



Inboard Trailing Edge Flap Aft Flap Assembly
Figure 2 (Sheet 18)

57-53-25

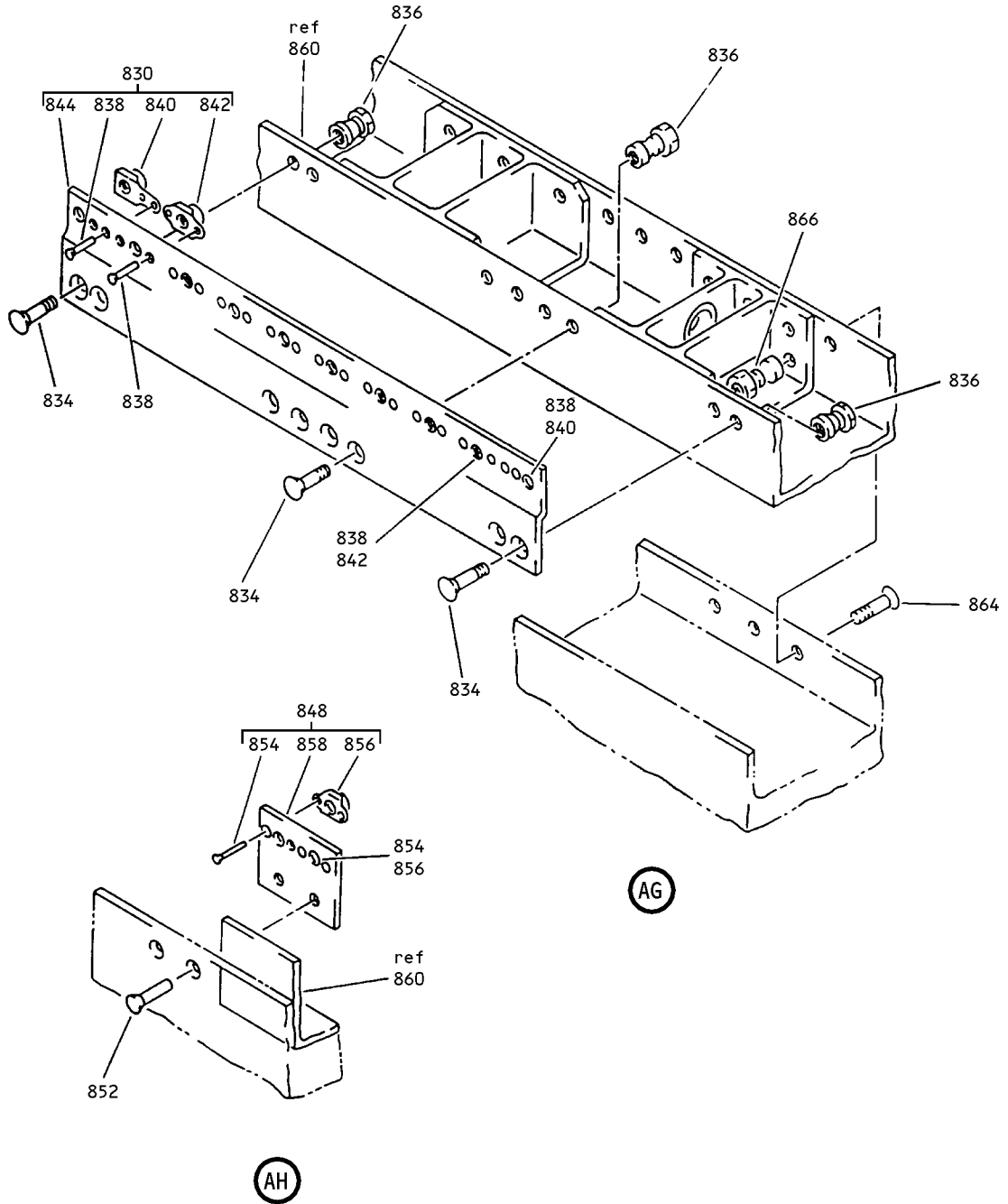
ILLUSTRATED PARTS LIST
01.1 Page 1088G
Nov 01/05



Inboard Trailing Edge Flap Aft Flap Assembly
 Figure 2 (Sheet 19)

57-53-25

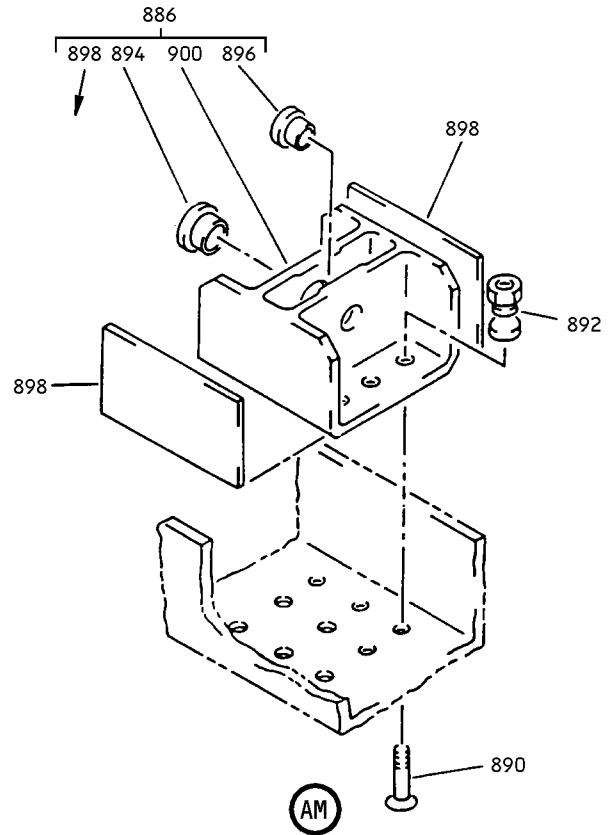
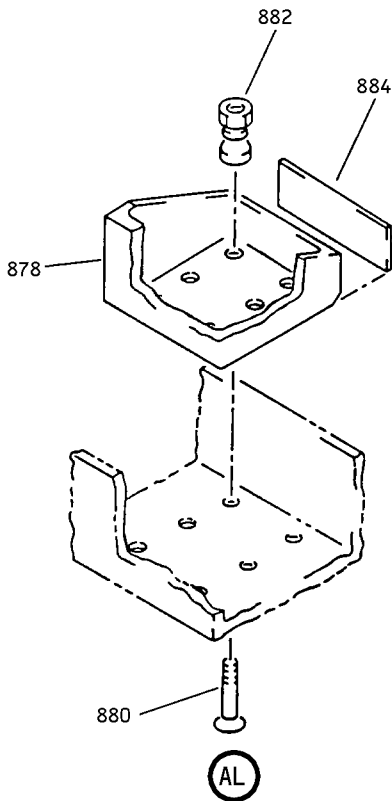
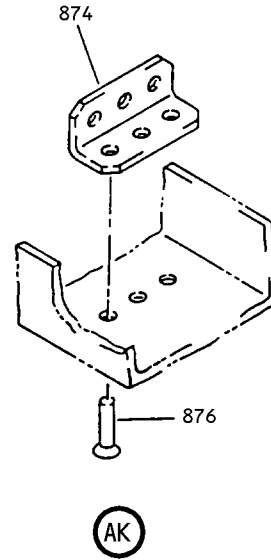
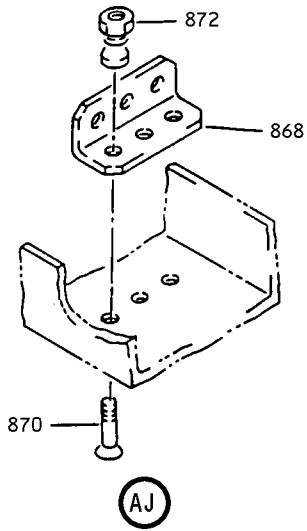
ILLUSTRATED PARTS LIST
 01.1 Page 1088H
 Nov 01/05



Inboard Trailing Edge Flap Aft Flap Assembly
Figure 2 (Sheet 20)

57-53-25

ILLUSTRATED PARTS LIST
01.1 Page 1088I
Nov 01/05



Inboard Trailing Edge Flap Aft Flap Assembly
 Figure 2 (Sheet 21)

57-53-25

ILLUSTRATED PARTS LIST
 01.1 Page 1088J
 Nov 01/05

FIG. & ITEM	PART NO.	AIRLINE PART NUMBER	NOMENCLATURE 1234567	EFF CODE	QTY PER ASSY
02-					
-1A	113T2301-31SP		FLAP ASSY-INBD TE FLAP AFT (LH)	AJ	RF
R -1B	113T2301-33SP		FLAP ASSY-INBD TE FLAP AFT (LH)	AL	RF
R -1C	113T2301-35SP		FLAP ASSY-INBD TE FLAP AFT (LH)	AN	RF
R -1D	113T2301-37SP		FLAP ASSY-INBD TE FLAP AFT (LH)	AQ	RF
-4	113T2301-32SP		FLAP ASSY-INBD TE FLAP AFT (RH)	AK	RF
R -4A	113T2301-34SP		FLAP ASSY-INBD TE FLAP AFT (RH)	AM	RF
R -4B	113T2301-36SP		FLAP ASSY-INBD TE FLAP AFT (RH)	AP	RF
R -4C	113T2301-38SP		FLAP ASSY-INBD TE FLAP AFT (RH)	AR	RF
-8	113T2203-51		.SEAL INSTL-INBD	AJ,AL ,AN,A Q	1
-10	113T2203-52		.SEAL INSTL-INBD	AK,AM ,AP,A R	1
12	BACB30NN3K7		..BOLT	AJ-AR	18
14	113T2203-33		..STRAP ASSY-LWR PNL	AJ-AR	1
16	113T2203-48		..STRAP ASSY-UPR PNL	AJ-AR	1
18	113T2203-45		..STRAP ASSY-UPR PNL	AJ-AR	1
20	NS103194-02-4		...NUTPLATE- (V80539) (SPEC BACN10KE3E4) (OPT F51752-3-4 (V15653)) (OPT RMF9216-4-3 (V72962)) (OPT BRFR120A3-4 (V52828)) (USED ON ITEM 14)	AJ-AR	4

57-53-25

FIG. & ITEM	PART NO.	AIRLINE PART NUMBER	NOMENCLATURE 1234567	EFF CODE	QTY PER ASSY
02-22	NS103194-02-4		...NUTPLATE- (V80539) (SPEC BACN10KE3E4) (OPT F51752-3-4 (V15653)) (OPT RMF9216-4-3 (V72962)) (OPT BRFR120A3-4 (V52828)) (USED ON ITEM 16)	AJ-AR	2
24	NS103191-02-4		...NUTPLATE- (V80539) (SPEC BACN10KE3B4) (OPT F51750-3-4 (V15653)) (OPT RMF9213-4-3 (V72962)) (OPT BRFR220A3-4 (V52828)) (USED ON ITEM 14)	AJ-AR	5
26	NS103191-02-4		...NUTPLATE- (V80539) (SPEC BACN10KE3B4) (OPT F51750-3-4 (V15653)) (OPT RMF9213-4-3 (V72962)) (OPT BRFR220A3-4 (V52828)) (USED ON ITEM 18)	AJ-AR	5

57-53-25

 ILLUSTRATED PARTS LIST
 01.1 Page 1088N
 Nov 01/05

FIG. & ITEM	PART NO.	AIRLINE PART NUMBER	NOMENCLATURE 1234567	EFF CODE	QTY PER ASSY
02-28	NS103194-02-4		...NUTPLATE- (V80539) (SPEC BACN10KE3E4) (OPT F51752-3-4 (V15653)) (OPT RMF9216-4-3 (V72962)) (OPT BRFR120A3-4 (V52828)) (USED ON ITEM 18) ATTACHING PARTS	AJ-AR	2
30	BACR15BA3AD		...RIVET- (SIZE DETERMINE ON INST) (USED ON ITEM 14)	AJ-AR	18
32	BACR15BA3AD		...RIVET- (SIZE DETERMINE ON INST) (USED ON ITEM 16)	AJ-AR	4
34	BACR15BA3AD		...RIVET- (SIZE DETERMINE ON INST) (USED ON ITEM 18) -----*	AJ-AR	14
36	113T2203-34		...STRAP- (USED ON ITEM 14)	AJ-AR	1
38	113T2203-49		...STRAP- (USED ON ITEM 16)	AJ-AR	1
40	113T2203-46		...STRAP- (USED ON ITEM 18)	AJ-AR	1
42	113T2203-29		..RETAINER-SEAL	AJ,AL ,AN,A Q	1
-44	113T2203-30		..RETAINER-SEAL	AK,AM ,AP,A R	1
46	113T2203-43		..RETAINER-SEAL	AJ,AL ,AN,A Q	1
-48	113T2203-44		..RETAINER-SEAL	AK,AM ,AP,A R	1

57-53-25

FIG. & ITEM	PART NO.	AIRLINE PART NUMBER	NOMENCLATURE 1234567	EFF CODE	QTY PER ASSY
02-50	113T2203-53		..SEAL-LWR PNL (MFD FROM EXTR RUBBER F25.01 10-60754-93 12.50 IN)	AJ-AR	1
52	113T2203-54		..SEAL-UPR PNL (MFD FROM EXTR RUBBER F25.01 10-60754-93 13.70 IN) (FOR SPARES PROCURE 113T2203Y54)	AJ-AR	1
-54	113T2203-1		.SEAL INSTL-OUTBD	AJ,AL ,AN,A Q	1
-56	113T2203-2		.SEAL INSTL-OUTBD	AK,AM ,AP,A R	1
58	BACB30NN3K7		..BOLT	AJ-AR	21
60	113T2203-25		..PLUG-END	AJ-AR	2
62	113T2203-7		..STRAP ASSY-LWR PNL	AJ-AR	1
64	113T2203-11		..STRAP ASSY-UPR PNL	AJ-AR	1
66	BACR15BA3AD		...RIVET- (SIZE DETERMINE ON INST)	AJ-AR	42
68	NS103194-02-4		...NUTPLATE- (V80539) (SPEC BACN10KE3E4) (OPT F51752-3-4 (V15653)) (OPT RMF9216-4-3 (V72962)) (OPT BRFR120A3-4 (V52828)) (USED ON ITEM 62)	AJ-AR	2

57-53-25

 ILLUSTRATED PARTS LIST
 01.1 Page 1088P
 Nov 01/05

FIG. & ITEM	PART NO.	AIRLINE PART NUMBER	NOMENCLATURE 1234567	EFF CODE	QTY PER ASSY
02-70	NS103194-02-4		...NUTPLATE- (V80539) (SPEC BACN10KE3E4) (OPT F51752-3-4 (V15653)) (OPT RMF9216-4-3 (V72962)) (OPT BRFR120A3-4 (V52828)) (USED ON ITEM 64)	AJ-AR	2
72	NS103191-02-4		...NUTPLATE- (V80539) (SPEC BACN10KE3B4) (OPT F51750-3-4 (V15653)) (OPT RMF9213-4-3 (V72962)) (OPT BRFR220A3-4 (V52828)) (USED ON ITEM 62)	AJ-AR	8
74	NS103191-02-4		...NUTPLATE- (V80539) (SPEC BACN10KE3B4) (OPT F51750-3-4 (V15653)) (OPT RMF9213-4-3 (V72962)) (OPT BRFR220A3-4 (V52828)) (USED ON ITEM 64)	AJ-AR	9

57-53-25

ILLUSTRATED PARTS LIST
01.1 Page 1088Q
Nov 01/05

FIG. & ITEM	PART NO.	AIRLINE PART NUMBER	NOMENCLATURE 1234567	EFF CODE	QTY PER ASSY
02-76	113T2203-8		...STRAP- (USED ON ITEM 62)	AJ-AR	1
78	113T2203-12		...STRAP- (USED ON ITEM 64)	AJ-AR	1
80	113T2203-9		..RETAINER-SEAL	AJ-AR	1
82	113T2203-13		..RETAINER-SEAL	AJ,AL ,AN,A Q	1
-84	113T2203-14		..RETAINER-SEAL	AK,AM ,AP,A R	1
86	113T2203-5		..SEAL-LWR PNL (MFD FROM EXTR RUBBER F25.01 10-60754-288 15.50 IN.)	AJ-AR	1
88	113T2203-6		..SEAL-UPR PNL (MFD FROM EXTR RUBBER F25.01 10-60754-288 15.50 IN.)	AJ-AR	1
90	113T2108-3		.BOLT ASSY-SPECIAL	AJ-AR	2
92	MS15001-1		..FITTING	AJ-AR	1
94	113T2108-4		..BOLT-SPECIAL	AJ-AR	1
96	113T2347-1		.SPACER	AJ-AR	2
98	113T2106-15		.WASHER-SPECIAL	AJ-AR	4
100	BACW10BP8DP		.WASHER	AJ-AR	4
102	H01-8BAC		.NUT- (V15653) (SPEC BACN10JC8CM) (OPT BMN4122C1D2-8 (V85495)) (OPT 109LH9074-8 (V72962)) (OPT 69235-820CM (V56878)) (OPT BMN4122C1D2-8 (V97928))	AJ-AR	4
104	CF2582		DELETED		
104A	CC55133		DELETED		
R 104B	CR1XBC189		.BEARING-ROLLER (V07484) (SPEC 60B00178-651)	AJ-AR	2

57-53-25

FIG. & ITEM	PART NO.	AIRLINE PART NUMBER	NOMENCLATURE 1234567	EFF CODE	QTY PER ASSY
02-106	113T2316-1		.GUIDE-TRACK	AJ-AR	2
108	ATF8		.BEARING- (V60380) (SPEC BACB10ET08) (OPT 8AFC1021 (V92563)) (OPT YAF08B (V07484))	AJ-AP	2
R -108A	ATF8T8		.BEARING- (V60380) (SPEC BACB10HH08) (OPT YAF08XD (V07484))	AQ,AR	2
110	113T2311-1		.SKIN-NOSE	AJ,AL ,AN,A Q	1
-112	113T2311-2		.SKIN-NOSE	AK,AM ,AP,A R	1
			ATTACHING PARTS		
114	BACB30NN3K7		.BOLT	AJ-AR	99
R 116	BACS4OR09B11F		.SHIM	AJ,AK	AR
R -116A	BACS4OR009B011F		.SHIM -----*-----	AL-AR	AR
118	BACB30NN3K5		.BOLT	AJ-AR	14
120	BACB30NN3K5		.BOLT	AJ-AR	20
122	BACB30VF3K4		.BOLT	AJ-AR	20
124	AN960JD10LL		DELETED		
R 124A	NAS1149D0316J		.WASHER	AJ-AR	20
126	H52732-3CD		.NUT- (V15653) (SPEC BACN10YR3CD) (OPT PLH53CD (V62554))	AJ-AR	20
128	113T2311-25		.SKIN-NOSE	AJ,AL ,AN,A Q	1
-130	113T2311-26		.SKIN-NOSE	AK,AM ,AP,A R	1

57-53-25

FIG. & ITEM	PART NO.	AIRLINE PART NUMBER	NOMENCLATURE 1234567	EFF CODE	QTY PER ASSY
02-132	113T2311-27		.SKIN-NOSE	AJ,AL ,AN,A Q	1
-134	113T2311-28		.SKIN-NOSE	AK,AM ,AP,A R	1
136	SF15-103-787		.SEAL- (V50744) (SPEC 10-60754-787) (OPT 5673-787 (V11960))	AJ	1
R -136A	113T2302-5		.SEAL	AL,AN ,AQ	1
-138	SF15-103-788		.SEAL- (V50744) (SPEC 10-60754-788) (OPT 5673-788 (V11960))	AK	1
R -138A	113T2302-6		.SEAL	AM,AP ,AR	1
140	SF15-103-789		DELETED		
R 140A	5673-789		.SEAL- (V11960) (SPEC 10-60754-789) (OPT SF15-103-789 (V50744))	AJ	1
R -140B	113T2302-7		.SEAL	AL,AN ,AQ	1
-142	SF15-103-790		.SEAL- (V50744) (SPEC 10-60754-790) (OPT 5673-790 (V11960))	AK	1
R -142A	113T2302-8		.SEAL	AM,AP ,AR	1

57-53-25

 ILLUSTRATED PARTS LIST
 01.1 Page 1088T
 Nov 01/05

FIG. & ITEM	PART NO.	AIRLINE PART NUMBER	NOMENCLATURE 1234567	EFF CODE	QTY PER ASSY
02-144	113T2311-33		.RETAINER-SEAL	AJ,AL ,AN,A Q	1
-146	113T2311-34		.RETAINER-SEAL	AK,AM ,AP,A R	1
148	113T2311-35		.RETAINER-SEAL	AJ,AL ,AN,A Q	1
-150	113T2311-36		.RETAINER-SEAL	AK,AM ,AP,A R	1
152	BACB30NN3K7		.BOLT	AJ-AR	123
154	BACS40R09B11F		DELETED		
R 154A	BACS40R09B11F		.SHIM	AJ,AK	AR
156	113T2311-5		.SKIN-NOSE	AJ,AL ,AN,A Q	1
-158	113T2311-6		.SKIN-NOSE	AK,AM ,AP,A R	1
160	BACB30NN3K7		.BOLT	AJ-AR	18
162	BACB30NN3K7		.BOLT	AJ-AR	13
164	BACB30NN3K7		.BOLT	AJ-AR	1
166	BACB30VF3K4		.BOLT	AJ-AR	21
168	AN960JD10LL		DELETED		
168A	MS21042L3		DELETED		
R 168B	NAS1149D0316J		.WASHER	AJ-AM	21
R 169	MS21042L3		.NUT	AJ-AR	21
170	113T2311-21		.SKIN-NOSE	AJ,AL ,AN,A Q	1
-172	113T2311-22		.SKIN-NOSE	AK,AM ,AP,A R	1

57-53-25

FIG. & ITEM	PART NO.	AIRLINE PART NUMBER	NOMENCLATURE 1234567	EFF CODE	QTY PER ASSY
02-174	113T2311-23		.SKIN-NOSE	AJ,AL ,AN,A Q	1
-176	113T2311-24		.SKIN-NOSE	AK,AM ,AP,A R	1
178	5673-777		.SEAL- (V11960) (SPEC 10-60754-777)	AJ	1
R -178A	113T2302-1		.SEAL	AL,AN ,AQ	1
-180	5673-778		.SEAL- (V11960) (SPEC 10-60754-778)	AK	1
R -180A	113T2302-2		.SEAL	AM,AP ,AR	1
182	800-779		.SEAL- (V07096) (SPEC 10-60754-779) (OPT 5673-779 (V11960))	AJ	1
R -182A	113T2302-3		.SEAL	AL,AN ,AQ	1
-184	800-780		.SEAL- (V07096) (SPEC 10-60754-780) (OPT 5673-780 (V11960)) (OPT S13117-780 (V75345)) (OPT SF15-103-780 (V50744))	AK	1
R -184A	113T2302-4		.SEAL	AM,AP ,AR	1

57-53-25

 ILLUSTRATED PARTS LIST
 01.1 Page 1088V
 Nov 01/05

FIG. & ITEM	PART NO.	AIRLINE PART NUMBER	NOMENCLATURE 1234567	EFF CODE	QTY PER ASSY
02-186	113T2311-29		.RETAINER-SEAL	AJ,AL ,AN,A Q	1
-188	113T2311-30		.RETAINER-SEAL	AK,AM ,AP,A R	1
190	113T2311-31		.RETAINER-SEAL	AJ,AL ,AN,A Q	1
-192	113T2311-32		.RETAINER-SEAL	AK,AM ,AP,A R	1
194	BACR15CE6KE		DELETED		
196	BACR15CE5KE		.RIVET- (SIZE DETERMINE ON INST)	AJ-AR	4
198	113T2311-45		.SKIN-NOSE	AJ,AL ,AN,A Q	1
-200	113T2311-46		.SKIN-NOSE	AK,AM ,AP,A R	1
202	BACB30NN3K7		.BOLT	AJ-AR	155
204	BACS40R09B18F		.SHIM	AJ,AK ,AN,A Q	AR
R -204A	BACS40R009B018F		.SHIM	AL,AM ,AP,A R	AR
206	BACS40R09B11F		DELETED		
R 206A	BACS40R09B11F		.SHIM	AJ,AK	AR
208	BACS40R09B09F		.SHIM	AJ,AK ,AN,A Q	AR
R -208A	BACS40R009B009F		.SHIM	AL,AM ,AP,A R	AR
210	BACB30MR4K17		.BOLT	AJ-AR	4
212	BACW10BP4CD		.WASHER	AJ-AR	4
214	BACW10BP4DP		.WASHER	AJ-AR	4
216	NAS1805-4		.NUT	AJ-AR	4
218	BACS40R12D33F		.SHIM	AJ,AK ,AN,A Q	1

57-53-25

FIG. & ITEM	PART NO.	AIRLINE PART NUMBER	NOMENCLATURE 1234567	EFF CODE	QTY PER ASSY
R 02-218A	BACS40R012D033F		.SHIM	AL,AM ,AP,A R	1
220	BACS40R11D37F		.SHIM	AJ,AK ,AN,A Q	1
R -220A	BACS40R011D037F		.SHIM	AL,AM ,AP,A R	1
222	HL13VAZ8-40		.BOLT- (V56878) (SPEC BACB30NY8K40) (OPT HL13VAZ8-40 (V73197)) (OPT HL13VAZ8-40 (V92215)) (OPT HL13VAZ8-40 (V97928)) (OPT L801-8K40 (V06725)) (OPT HL13VAZ8-40 (V08524)) (OPT HL13V40 (V06725)) (OPT L801-8K40 (V0PTK6))	AJ-AR	2
224	HL13VAZ8-37		.BOLT- (V56878) (SPEC BACB30NY8K37) (OPT HL13VAZ8-37 (V73197)) (OPT HL13VAZ8-37 (V92215)) (OPT HL13VAZ8-37 (V97928)) (OPT L801-8K37 (V06725)) (OPT HL13VAZ8-37 (V08524)) (OPT HL13V37 (V06725)) (OPT HL13VAZ8-37 (V17446))	AJ-AR	2

57-53-25

 ILLUSTRATED PARTS LIST
 01.1 Page 1088X
 Nov 01/05

FIG. & ITEM	PART NO.	AIRLINE PART NUMBER	NOMENCLATURE 1234567	EFF CODE	QTY PER ASSY
02-226	HL1187-8		.COLLAR- (V5M902) (SPEC BACC30X8) (OPT HL87-8 (V73197)) (OPT HL87-8 (V92215)) (OPT HL1187-8 (V56878)) (OPT HL1187-8 (V92215)) (OPT HL87-8 (V56878)) (OPT HL1187-8 (V73197))	AJ-AR	4
228	BACS40R22D34F		.SHIM	AJ,AK ,AN,A Q	1
R -228A	BACS40R022D034F		.SHIM	AL,AM ,AP,A R	1
230	113T2344-5		.FITTING ASSY	AJ,AL ,AN,A Q	1
-232	113T2344-6		.FITTING ASSY	AK,AM ,AP,A R	1

57-53-25

FIG. & ITEM	PART NO.	AIRLINE PART NUMBER	NOMENCLATURE 1234567	EFF CODE	QTY PER ASSY
02-			ATTACHING PARTS		
234	BACB30LE5U20		.BOLT	AJ-AR	1
236	BACW10BP5CD		.WASHER	AJ-AR	1
238	BACW10BP5APU		.WASHER	AJ-AR	1
240	H39953-5		.NUT- (V15653) (SPEC BACN10HR5CS) (OPT 67832AS524 (V56878)) (OPT BMN5024CPD3-5 (V97928)) (OPT BH00303-5 (V27238)) (OPT BH003035 (V27238)) (OPT BMN5024CPD35 (V97928)) (OPT CR59085 (V62554)) (OPT H39953 (V15653)) (OPT SL705095 (V11815)) (OPT 109LH90315 (V72962)) (OPT 67832AS5 (V56878)) (OPT BMN10HRRCPD3-5 (V97928))	AJ-AR	1
242	BACB28AK05-093		.BUSHING -----*	AJ-AR	1
244	113T2104-10		..BUSHING	AJ-AR	1
246	113T2104-11		..BUSHING	AJ-AR	1
248	113T2344-7		..FITTING	AJ,AL ,AN,A Q	1
-250	113T2344-8		..FITTING	AK,AM ,AP,A R	1
252	113T2344-9		.FITTING ASSY	AJ-AR	1
			ATTACHING PARTS		
254	BACB30LE5U22		.BOLT	AJ-AR	1
256	BACW10BP5APU		.WASHER	AJ-AR	1
258	BACW10BP5CD		.WASHER	AJ-AR	1

57-53-25

FIG. & ITEM	PART NO.	AIRLINE PART NUMBER	NOMENCLATURE 1234567	EFF CODE	QTY PER ASSY
02-260	H39953-5		.NUT- (V15653) (SPEC BACN10HR5CS) (OPT 67832AS524 (V56878)) (OPT BMN5024CPD3-5 (V97928)) (OPT BH00303-5 (V27238)) (OPT BH003035 (V27238)) (OPT BMN5024CPD35 (V97928)) (OPT CR59085 (V62554)) (OPT H39953 (V15653)) (OPT SL705095 (V11815)) (OPT 109LH90315 (V72962)) (OPT 67832AS5 (V56878)) (OPT BMN10HRRCPD3-5 (V97928))	AJ-AR	1
262	BACB28AK05-047		.BUSHING -----*	AJ-AR	1
264	BACB28AP05P028		..BUSHING	AJ-AR	1
266	BACB28AM07B028A		..BUSHING	AJ-AR	1
268	113T2344-11		..FITTING	AJ-AR	1
270	113T2345-1		.STRUT ASSY-SIDE	AJ,AL ,AN,A Q	1
-272	113T2345-2		.STRUT ASSY-SIDE	AK,AM ,AP,A R	1
274	BACB30LE5U17		ATTACHING PARTS .BOLT	AJ-AR	1
276	BACW10BP5CD		.WASHER	AJ-AR	1
278	BACW10BP5APU		.WASHER	AJ-AR	1

57-53-25

FIG. & ITEM	PART NO.	AIRLINE PART NUMBER	NOMENCLATURE 1234567	EFF CODE	QTY PER ASSY
02-280	H39953-5		.NUT- (V15653) (SPEC BACN10HR5CS) (OPT 67832AS524 (V56878)) (OPT BMN5024CPD3-5 (V97928)) (OPT BH00303-5 (V27238)) (OPT BH003035 (V27238)) (OPT BMN5024CPD35 (V97928)) (OPT CR59085 (V62554)) (OPT H39953 (V15653)) (OPT SL705095 (V11815)) (OPT 109LH90315 (V72962)) (OPT 67832AS5 (V56878)) (OPT BMN10HRRCPD3-5 (V97928))	AJ-AR	1
282	BACB28AK05-030		.BUSHING	AJ-AR	AR
-282A	BACB28AK05-028		.BUSHING	AJ-AR	AR
			-----*		
284	ADW04V301NC		..BEARING- (V15860) (SPEC BACB10FA04GC) (OPT SWKRS04-350SC (V81376)) (OPT KSC152200BZ04GC (V50632)) (OPT KWDB04-35 (V97613)) (OPT WES04FAGC (V73134)) (OPT WHTFA04VC (VS0352))	AJ-AR	1

57-53-25

 ILLUSTRATED PARTS LIST
 01.1 Page 1090
 Nov 01/05

FIG. & ITEM	PART NO.	AIRLINE PART NUMBER	NOMENCLATURE 1234567	EFF CODE	QTY PER ASSY
02-286	ADW05V301NC		..BEARING- (V15860) (SPEC BACB10FA05GC) (OPT SWKRS05-350SC (V81376)) (OPT KSC152200BZ05GC (V50632)) (OPT KWDB05-35 (V97613)) (OPT WES05FAGC (V73134)) (OPT WHTFA05VC (VS0352))	AJ-AR	1
288	BACB28AM07B013A		..BUSHING	AJ-AR	1
290	BACB28AP05P013		..BUSHING	AJ-AR	1
292	113T2345-3		..BEAM	AJ,AL ,AN,A Q	1
-294	113T2345-4		..BEAM	AK,AM ,AP,A R	1
296	113T2344-21		.FITTING ASSY ATTACHING PARTS	AJ-AR	1
298	BACB30MY10K6		.BOLT	AJ-AR	1
300	HL79-10		.COLLAR- (V5M902) (SPEC BACC30M10) (OPT HL79-10 (V73197)) (OPT HL79-10 (V92215)) (OPT 66014-10 (V56878)) (OPT HL79-10 (V56878))	AJ-AR	1
302	BACB30MY8K6		.BOLT	AJ-AR	1

57-53-25

FIG. & ITEM	PART NO.	AIRLINE PART NUMBER	NOMENCLATURE 1234567	EFF CODE	QTY PER ASSY
02-304	HL79-8		. COLLAR- (V5M902) (SPEC BACC30M8) (OPT HL79-8 (V73197)) (OPT HL79-8 (V92215)) (OPT 66014-8 (V56878)) (OPT HL79-8 (V56878)) -----*	AJ-AR	1
306	ADW04V301NC		.. BEARING- (V15860) (SPEC BACB10FA04GC) (OPT SWKRS04-350SC (V81376)) (OPT KSC152200BZ04GC (V50632)) (OPT KWDB04-35 (V97613)) (OPT WES04FAGC (V73134)) (OPT WHTFA04VC (VS0352))	AJ-AR	1
308	113T2344-23		.. FITTING	AJ-AR	1
310	113T2342-11		.HINGE ASSY-OUTBD	AJ,AL ,AN,A Q	1
-312	113T2342-12		.HINGE ASSY-OUTBD	AK,AM ,AR	1

57-53-25

 ILLUSTRATED PARTS LIST
 01.1 Page 1090B
 Nov 01/05

FIG. & ITEM	PART NO.	AIRLINE PART NUMBER	NOMENCLATURE 1234567	EFF CODE	QTY PER ASSY
02-314	BACB30NW5K		..BOLT- (SIZE DETERMINE ON INST)	AJ-AR	4
316	HL70-5		..COLLAR- (V5M902) (SPEC BACC30M5) (OPT HL70-5 (V73197)) (OPT HL70-5 (V92215)) (OPT 66014-5 (V56878)) (OPT HL70-5 (V56878))	AJ-AR	4
318	113T2346-1		..STRIP-RUB	AJ-AR	1
320	113T2346-2		..STRIP-RUB	AJ-AR	1
322	BACB30LR3-14		..BOLT	AJ-AR	1
324	H10-3BAC		..NUT- (V15653) (SPEC BACN10JC3) (OPT NS202101-02 (V80539)) (OPT RMLH9075-3W (V72962)) (OPT T6S1032J (V71087)) (OPT VN303A02 (V92215)) (OPT 96-02 (V80539)) (OPT BRH10A3 (V52828))	AJ-AR	1

57-53-25

FIG. & ITEM	PART NO.	AIRLINE PART NUMBER	NOMENCLATURE 1234567	EFF CODE	QTY PER ASSY
02-					
326	113T2105-3		..RETAINER	AJ-AP	1
328	BACB30LR3P3		..BOLT	AJ-AR	4
330	113T2105-2		..RETAINER	AJ-AR	1
332	DAS6-25C1-502		..BEARING- (V77896) (SPEC BACB10CH6) (OPT ASRD6H30A (VS0352)) (OPT DAS6-25C4 (V77896)) (OPT DAS6-25C51 (V77896)) (OPT ASRD6-30A (VS0352))	AJ-AR	1
334	113T2104-15		..BUSHING	AJ-AR	1
336	113T2104-16		..BUSHING	AJ-AR	1
338	BACB28AM13B048A		..BUSHING	AJ-AR	1
340	113T2104-14		..BUSHING	AJ-AR	1
342	BACB28AP09P041		..BUSHING	AJ-AR	1
344	ADW04V301NC		..BEARING- (V15860) (SPEC BACB10FA04GC) (OPT SWKRS04-350SC (V81376)) (OPT KSC152200BZ04GC (V50632)) (OPT KWDB04-35 (V97613)) (OPT WES04FAGC (V73134)) (OPT WHTFA04VC (VS0352))	AJ-AR	1
346	ADW05V301NC		..BEARING- (V15860) (SPEC BACB10FA05GC) (OPT SWKRS05-350SC (V81376)) (OPT KSC152200BZ05GC (V50632)) (OPT KWDB05-35 (V97613)) (OPT WES05FAGC (V73134)) (OPT WHTFA05VC (VS0352))	AJ-AR	1

57-53-25

 ILLUSTRATED PARTS LIST
 01.1 Page 1090D
 Nov 01/05

FIG. & ITEM	PART NO.	AIRLINE PART NUMBER	NOMENCLATURE 1234567	EFF CODE	QTY PER ASSY
02-348	MS15001-3		..FITTING	AJ-AR	1
350	113T2342-7		..FITTING-HINGE	AJ,AL ,AN,A Q	1
-352	113T2342-8		..FITTING-HINGE	AK,AM ,AP,A R	1
354	HL1012AZ8-12		.BOLT- (V97928) (SPEC BACB30NX8K12) (OPT HL12VAZ8-12 (V73197)) (OPT HL12VAZ8-12 (V92215)) (OPT HL12VAZ8-12 (V97928)) (OPT L802-8K12 (V06725)) (OPT HL12VAZ8-12 (V56878)) (OPT HL1012AZ8-12 (V73197)) (OPT HL1012AZ8-12 (V60516)) (OPT HL1012AZ8-12 (V56878)) (OPT HL1012AZ8-12 (V17446)) (OPT HL1012AZ8-12 (V06950)) (OPT HL1012AZ8-12 (V06725)) (OPT HL1012AZ8-12 (V0PTK6)) (OPT ITEM 354A)	AJ-AR	4

57-53-25

FIG. & ITEM	PART NO.	AIRLINE PART NUMBER	NOMENCLATURE 1234567	EFF CODE	QTY PER ASSY
02- -354A	HL448UC8-12		.BOLT- (V56878) (SPEC BACB30MB8A12) (OPT HL448UC8-12 (V73197)) (OPT HL448UC8-12 (V92215)) (OPT HL448UC8-12 (V97928)) (OPT 69308-8A12 (V56878)) (OPT HL448UC8-12 (V80539)) (OPT HL448UC8-12 (V08524)) (OPT HL448UC8-12 (V9N513)) (OPT WC4488-12 (V60516)) (OPT ITEM 354)	AJ-AR	4
356	113T2108-9		.BOLT-SPECIAL	AJ-AR	2
358	113T2108-8		.BOLT-SPECIAL	AJ-AR	2
360	HL1187-8		.COLLAR- (V5M902) (SPEC BACC30X8) (OPT HL87-8 (V73197)) (OPT HL87-8 (V92215)) (OPT HL1187-8 (V56878)) (OPT HL1187-8 (V92215)) (OPT HL87-8 (V56878)) (OPT HL1187-8 (V73197))	AJ-AR	4
362	NAS1149D0432J		.WASHER	AJ-AR	4
364	NAS1805-4L		.NUT	AJ-AR	4
366	BACS40R20D23F		.SHIM	AJ,AK	1
R -366A	BACS40R020D023F		.SHIM	AL-AR	1
368	BACS40R23D23F		.SHIM	AJ,AK	1
R -368A	BACS40R023D023F		.SHIM	AL-AR	1
370	113T2340-4		.PLUG	AJ-AR	1
372	113T2340-3		.PLUG	AJ-AR	1

57-53-25

FIG. & ITEM	PART NO.	AIRLINE PART NUMBER	NOMENCLATURE 1234567	EFF CODE	QTY PER ASSY
02-					
374	113T2340-2		.PLUG	AJ-AR	1
376	113T2340-1		.PLUG	AJ-AR	1
378	AS568-117S32		.PACKING- (V11314) (SPEC BACP11J117) (OPT S7E183-117 (V95272)) (OPT 13-06-117 (V07096)) (OPT S424-7-2-117 (V02697)) (OPT A330-117 (V95272)) (OPT R1131-117 (V57268)) (OPT 2-117S383-70 (V02697))	AJ-AR	4
380	113T2344-1		.FITTING ASSY- (OPT ITEM 380A)	AJ-AR	1
-380A	113T2344-25		.FITTING ASSY- (OPT ITEM 380)	AJ-AR	1
382	113T2344-3		.FITTING ASSY ATTACHING PARTS	AJ-AR	1
384	BACB30LE4U16		.BOLT	AJ-AR	2
386	BACW10BP4ACU		.WASHER	AJ-AR	2
388	BACW10BP4DP		.WASHER	AJ-AR	2

57-53-25

FIG. & ITEM	PART NO.	AIRLINE PART NUMBER	NOMENCLATURE 1234567	EFF CODE	QTY PER ASSY
02-390	H39953-4		.NUT- (V15653) (SPEC BACN10HR4CS) (OPT 109LH9031-4 (V72962)) (OPT 67832AS428 (V56878)) (OPT SL7059C428 (V11815)) (OPT BH00303-4 (V27238)) (OPT BH003034 (V27238)) (OPT BMN5024CPD34 (V97928)) (OPT CR59084 (V62554)) (OPT SL705094 (V11815)) (OPT 109LH90314 (V72962)) (OPT 67832AS4 (V56878)) (OPT BMN10HRCPD3-4 (V97928)) (OPT SL705094 (V11815))	AJ-AR	2
392	BACB28AK04-035		.BUSHING -----*	AJ-AR	2
394	ADW04V301NC		..BEARING- (V15860) (SPEC BACB10FA04GC) (OPT SWKRS04-350SC (V81376)) (OPT KSC152200BZ04GC (V50632)) (OPT KWDB04-35 (V97613)) (OPT WES04FAGC (V73134)) (OPT WHTFA04VC (VS0352))	AJ-AR	1
396	113T2344-2		..FITTING- (USED ON ITEM 380)	AJ-AR	1

57-53-25

 ILLUSTRATED PARTS LIST
 01.1 Page 1090H
 Nov 01/05

FIG. & ITEM	PART NO.	AIRLINE PART NUMBER	NOMENCLATURE 1234567	EFF CODE	QTY PER ASSY
02- -396A	113T2344-26		..FITTING- (USED ON ITEM 380A)	AJ-AR	1
398	113T2344-4		..FITTING- (USED ON ITEM 382)	AJ-AR	1
400	113T2339-18		.HINGE ASSY-INBD	AJ-AR	1
402	BACB30NN3K4		..BOLT	AJ-AR	9
404	NAS1399MW6-4		..RIVET	AJ-AR	34
406	BACB30NN3K6		..BOLT	AJ-AR	10
408	BACR15BA3AD		..RIVET- (SIZE DETERMINE ON INST)	AJ-AR	38
410	BACN10JQ32		..NUTPLATE	AJ-AR	19
412	BACR15BA5AD		..RIVET- (SIZE DETERMINE ON INST)	AJ-AR	40
414	BACR15BA6AD		..RIVET- (SIZE DETERMINE ON INST)	AJ-AR	14
416	113T2206-1		..KEVLAR ASSY-HINGE SKIN	AJ-AR	1
418	BACB30NT3K4		...BOLT	AJ-AR	1
420	BACR15CE5KE		...RIVET- (SIZE DETERMINE ON INST)	AJ-AR	8
422	113T2206-5		...RETAINER-SEAL	AJ-AR	1
424	BACR15BA3AD		...RIVET- (SIZE DETERMINE ON INST)	AJ-AR	2
426	BACN10JQ36		...NUTPLATE	AJ-AR	1
428	113T2206-6		...SEAL- (MFD FROM EXTR RUBBER 10-60754-31 9.20 IN.)	AJ-AR	1
430	113T2206-2		...SKIN	AJ-AR	1
432	113T2206-3		...SKIN	AJ-AR	1
434	113T2206-4		..BOND ASSY-RIB	AJ-AR	1
436	113T2339-8		..PLATE-RTNR	AJ-AR	1
438	113T2339-9		..PLATE-RTNR	AJ-AR	2

57-53-25

FIG. & ITEM	PART NO.	AIRLINE PART NUMBER	NOMENCLATURE 1234567	EFF CODE	QTY PER ASSY
02-					
440	113T2339-10		..PLATE-RTNR	AJ-AR	1
442	113T2339-16		..PLATE-RTNR	AJ-AR	1
444	113T2339-2		..SEAL- (MFD FROM EXTR RUBBER BAC1521-670 11.00 IN.)	AJ-AR	1
446	113T2339-3		..SEAL- (MFD FROM EXTR RUBBER BAC1521-670 5.50 IN.)	AJ-AR	2
448	113T2339-4		..SEAL- (MFD FROM EXTR RUBBER BAC1521-670 3.00 IN.) (FOR SPARES PROCURE 113T2339Y4)	AJ-AR	1
450	113T2339-17		..SEAL- (MFD FROM EXTR RUBBER BAC1521-670 3.00 IN.) (FOR SPARES PROCURE 113T2339-17)	AJ-AR	1
452	113T2339-5		..SEAL- (MFD FROM EXTR RUBBER BAC1521-670 8.00 IN.)	AJ-AR	1
454	113T2339-6		..SEAL- (MFD FROM EXTR RUBBER BAC1521-670 8.00 IN.)	AJ-AR	1
456	113T2339-7		..SEAL- (MFD FROM EXTR RUBBER BAC1521-670 3.00 IN.) (FOR SPARES PROCURE 113T2339Y7)	AJ-AR	2

57-53-25

 ILLUSTRATED PARTS LIST
 01.1 Page 1090J
 Nov 01/05

FIG. & ITEM	PART NO.	AIRLINE PART NUMBER	NOMENCLATURE 1234567	EFF CODE	QTY PER ASSY
02-					
458	113T2339-15		..FILLER-TAPERED	AJ-AR	2
460	113T2341-4		..FITTING ASSY-HINGE	AJ-AR	1
462	BACB28AM06B019A		...BUSHING	AJ-AR	2
464	BACB28AP04P019		...BUSHING	AJ-AR	2
466	MS15001-1		...FITTING	AJ-AR	1
468	113T2341-5		...FITTING-HINGE	AJ-AR	1
470	ASR6-30		...BEARING- (VS0352) (SPEC BACB10CK6) (OPT SA6-23A4 (V77896))	AJ-AR	1
472	BACB30NN3K9		...BOLT	AJ-AR	2
474	H10-3BAC		...NUT- (V15653) (SPEC BACN10JC3) (OPT NS202101-02 (V80539)) (OPT RMLH9075-3W (V72962)) (OPT T6S1032J (V71087)) (OPT VN303A02 (V92215)) (OPT 96-02 (V80539)) (OPT BRH10A3 (V52828))	AJ-AR	2
476	113T2105-1		...RETAINER	AJ-AR	1
478	113T2205-1		.FRANGIBLE ASSY	AJ,AL ,AN,A Q	1
-480	113T2205-2		.FRANGIBLE ASSY	AK,AM ,AP,A R	1
482	BACB30NN3K7		ATTACHING PARTS DELETED		

57-53-25

FIG. & ITEM	PART NO.	AIRLINE PART NUMBER	NOMENCLATURE 1234567	EFF CODE	QTY PER ASSY
R 02-482A	BACB30NN3K5		.BOLT -----*-----	AJ-AR	33
484	BACR15CE3AD		..RIVET- (SIZE DETERMINE ON INST)	AJ-AR	66
486	NS103194-02-2		..NUTPLATE- (V80539) (SPEC BACN10KE3E2) (OPT F51752-3-2 (V15653)) (OPT RMF9216-2-3 (V72962)) (OPT BRFR120A3-2 (V52828))	AJ-AR	2
488	NS103191-02-2		..NUTPLATE- (V80539) (SPEC BACN10KE3B2) (OPT F51750-3-2 (V15653)) (OPT RMF9213-2-3 (V72962)) (OPT BRFR220A3-2 (V52825))	AJ-AR	9
490	NS103194-02-3		..NUTPLATE- (V80539) (SPEC BACN10KE3E3) (OPT F51752-3-3 (V15653)) (OPT RMF9216-3-3 (V72962)) (OPT BRFR120A3-3 (V52828))	AJ-AR	2
492	NS103191-02-3		..NUTPLATE- (V80539) (SPEC BACN10KE3B3) (OPT F51750-3-3 (V15653)) (OPT RMF9213-3-3 (V72962)) (OPT BRFR220A3-3 (V52828))	AJ-AR	20
494	BACR15CE5AD		..RIVET- (SIZE DETERMINE ON INST)	AJ-AR	46
496	AN960PD8L		..WASHER	AJ-AR	40
498	AN960KD8L		..WASHER	AJ-AR	40
500	113T2205-10		..FILLER	AJ-AR	1

57-53-25

FIG. & ITEM	PART NO.	AIRLINE PART NUMBER	NOMENCLATURE 1234567	EFF CODE	QTY PER ASSY
02-502	113T2205-3		..SKIN-LWR	AJ,AL ,AN,A Q	1
-504	113T2205-4		..SKIN-LWR	AK,AM ,AP,A R	1
506	113T2205-5		..SKIN-UPR	AJ,AL ,AN,A Q	1
-508	113T2205-6		..SKIN-UPR	AK,AM ,AP,A R	1
510	113T2205-9		..STRAP	AJ-AR	1
512	113T2205-7		..RIB	AJ,AL ,AN,A Q	1
-514	113T2205-8		..RIB	AK,AM ,AP,A R	1
516	BACB30MY6K7		.BOLT	AJ-AR	1
518	BACB30MY6K3		.BOLT	AJ-AR	8
520	BACB30MY6K4		.BOLT	AJ-AR	1
522	HL79-6		.COLLAR- (V5M902) (SPEC BACC30M6) (OPT HL79-6 (V73197)) (OPT HL79-6 (V92215)) (OPT 66014-6 (V56878)) (OPT HL79-6 (V56878))	AJ-AR	10

57-53-25

FIG. & ITEM	PART NO.	AIRLINE PART NUMBER	NOMENCLATURE 1234567	EFF CODE	QTY PER ASSY
02-524	113T2344-17		.FITTING	AJ,AL ,AN,A Q	1
-526	113T2344-18		.FITTING	AK,AM ,AP,A R	1
528	113T2318-1		.RIB-AUX END	AJ,AL ,AN,A Q	1
-530	113T2318-2		.RIB-AUX END	AK,AM ,AP,A R	1
532	113T2319-1		.STRIP-RUB (MFD FROM SH PHENOLIC MIL-P-15035 TYPE FBG 0.031 IN. 2.00 IN. 5.20 IN.)	AJ-AR	2
534	113T2313-1		.RIB ASSY-END	AJ,AL ,AN,A Q	1
-536	113T2313-2		.RIB ASSY-END	AK,AM ,AP,A R	1
538	113T2314-1		.RIB ASSY-END	AJ,AL ,AN,A Q	1
-540	113T2314-2		.RIB ASSY-END	AK,AM ,AP,A R	1
			ATTACHING PARTS		

57-53-25

 ILLUSTRATED PARTS LIST
 01.1 Page 1090N
 Nov 01/05

FIG. & ITEM	PART NO.	AIRLINE PART NUMBER	NOMENCLATURE 1234567	EFF CODE	QTY PER ASSY
02-542	HL11VAZ6-6		.BOLT- (V60516) (SPEC BACB30NW6K6) (OPT B30NW6K6 (V97928)) (OPT HL11VAZ6-6 (V73197)) (OPT HL11VAZ6-6 (V92215)) (OPT HL11VAZ6-6 (V97928)) (OPT L803-6K6 (V06725)) (OPT HL11VAZ6-6 (V0PTK6)) (OPT HL11VAZ6-6 (V56878))	AJ-AR	8
544	HL11VAZ6-3		.BOLT- (V60516) (SPEC BACB30NW6K3) (OPT B30NW6K3 (V97928)) (OPT HL11VAZ6-3 (V73197)) (OPT HL11VAZ6-3 (V92215)) (OPT HL11VAZ6-3 (V97928)) (OPT L803-6K3 (V06725)) (OPT HL11VAZ6-3 (V0PTK6)) (OPT HL11VAZ6-3 (V56878))	AJ-AR	4

57-53-25

FIG. & ITEM	PART NO.	AIRLINE PART NUMBER	NOMENCLATURE 1234567	EFF CODE	QTY PER ASSY
02-546	BACB30MY6K3		.BOLT	AJ-AR	1
548	HL79-6		.COLLAR- (V5M902) (SPEC BACC30M6) (OPT HL79-6 (V73197)) (OPT HL79-6 (V92215)) (OPT 66014-6 (V56878)) (OPT HL79-6 (V56878))	AJ-AR	13
R 550	BACS40R18C20F		.SHIM	AJ,AK	2
R -550A	BACS40R018C020F		.SHIM	AL-AR	2
552	BACS40R18B20F		.SHIM	AJ,AK	2
R -552A	BACS40R018B020F		.SHIM	AL-AR	2
554	BACS40R09B25F		.SHIM	AJ,AK	2
R -554A	BACS40R009B025F		.SHIM	AL-AR	2
			-----*		
556	BACR15BA3AD		..RIVET- (SIZE DETERMINE ON INST)	AJ-AR	40
558	BACF3T01G10-14B		..FILLER	AJ-AR	1
560	NS103191-02-2		..NUTPLATE- (V80539) (SPEC BACN10KE3B2) (OPT F51750-3-2 (V15653)) (OPT RMF9213-2-3 (V72962)) (OPT BRFR220A3-2 (V52825))	AJ-AR	8
562	NS103191-02-4		..NUTPLATE- (V80539) (SPEC BACN10KE3B4) (OPT F51750-3-4 (V15653)) (OPT RMF9213-4-3 (V72962)) (OPT BRFR220A3-4 (V52828))	AJ-AR	10

57-53-25

 ILLUSTRATED PARTS LIST
 01.1 Page 1090P
 Nov 01/05

FIG. & ITEM	PART NO.	AIRLINE PART NUMBER	NOMENCLATURE 1234567	EFF CODE	QTY PER ASSY
02-564	NS103194-02-4		..NUTPLATE- (V80539) (SPEC BACN10KE3E4) (OPT F51752-3-4 (V15653)) (OPT RMF9216-4-3 (V72962)) (OPT BRFR120A3-4 (V52828))	AJ-AR	2
566	BACB28AP08P062		..BUSHING	AJ-AR	1
568	113T2104-12		..BUSHING-SPECIAL	AJ-AR	1
570	113T2313-3		..RIB- (USED ON ITEM 534)	AJ,AL ,AN,A Q	1
-572	113T2313-4		..RIB- (USED ON ITEM 536)	AK,AM	1
574	113T2314-3		..RIB- (USED ON ITEM 538)	AJ,AL ,AN,A Q	1
-576	113T2314-4		..RIB- (USED ON ITEM 540)	AK,AM ,AP,A R	1
578	113T2315-1		.RIB ASSY	AJ,AL ,AN	1
-580	113T2315-2		.RIB ASSY	AK,AM ,AP,A R	1
582	113T2315-5		.RIB ASSY	AJ,AL ,AN,A Q	1
-584	113T2315-6		.RIB ASSY	AK,AM ,AP,A R	1

57-53-25

FIG. & ITEM	PART NO.	AIRLINE PART NUMBER	NOMENCLATURE 1234567	EFF CODE	QTY PER ASSY
02-586	113T2315-17		.RIB ASSY	AJ,AL ,AN,A Q	1
-588	113T2315-18		.RIB ASSY	AK,AM ,AP,A R	1
590	113T2315-21		.RIB ASSY	AJ,AL ,AN,A Q	1
-592	113T2315-22		.RIB ASSY	AK,AM ,AP,A R	1
594	113T2315-25		.RIB ASSY	AJ,AL ,AN,A Q	1
R -596	113T2315-26		.RIB ASSY	AK,AM ,AP,A R	1
598	113T2315-33		.RIB ASSY	AJ,AL ,AN,A Q	1
-600	113T2315-34		.RIB ASSY	AK,AM ,AP,A R	1
602	113T2315-41		.RIB ASSY	AJ,AL ,AN,A Q	1
-604	113T2315-42		.RIB ASSY	AK,AM ,AP,A R	1

57-53-25

 ILLUSTRATED PARTS LIST
 01.1 Page 1090R
 Nov 01/05

FIG. & ITEM	PART NO.	AIRLINE PART NUMBER	NOMENCLATURE 1234567	EFF CODE	QTY PER ASSY
02-606	113T2315-45		.RIB ASSY	AJ,AL ,AN,A Q	1
-608	113T2315-46		.RIB ASSY	AK,AM ,AP,A R	1
610	BACR15FT6KE		ATTACHING PARTS .RIVET- (SIZE DETERMINE ON INST)	AJ-AR	24
612	BACS4OR09B11F		.SHIM	AJ,AK	8
R-612A	BACS4OR009B011F		.SHIM	AL-AR	8
614	NS103191-02-4		-----*----- .NUTPLATE- (V80539) (SPEC BACN10KE3B4) (OPT F51750-3-4 (V15653)) (OPT RMF9213-4-3 (V72962)) (OPT BRFR220A3-4 (V52828))	AJ-AR	1
616	NS103194-02-5		.NUTPLATE- (V80539) (SPEC BACN10KE3E5) (OPT F51752-3-5 (V15653)) (OPT RMF9216-5-3 (V72962)) (OPT BRFR120A3-5 (V52828)) (USED ON ITEMS 586, 588, 590, 592, 598, 600, 602, 604, 606, 608)	AJ-AR	2
618	NS103194-02-5		.NUTPLATE- (V80539) (SPEC BACN10KE3E5) (OPT F51752-3-5 (V15653)) (OPT RMF9216-5-3 (V72962)) (OPT BRFR120A3-5 (V52828)) (USED ON ITEMS 586, 588, 590, 592, 598, 600, 602, 604, 606, 608)	AJ-AR	2

57-53-25

FIG. & ITEM	PART NO.	AIRLINE PART NUMBER	NOMENCLATURE 1234567	EFF CODE	QTY PER ASSY
02-620	NS103194-02-5		..NUTPLATE- (V80539) (SPEC BACN10KE3E5) (OPT F51752-3-5 (V15653)) (OPT RMF9216-5-3 (V72962)) (OPT BRFR120A3-5 (V52828)) (USED ON ITEMS 578, 580, 582, 584, 594, 596)	AJ-AR	4
622	NS103191-02-5		..NUTPLATE- (V80539) (SPEC BACN10KE3B5) (OPT F51750-3-5 (V15653)) (OPT RMF9213-5-3 (V72962)) (OPT BRFR220A3-5 (V52828))	AJ-AR	3
624	BACR15BA3AD		..RIVET- (SIZE DETERMINE ON INST)	AJ-AR	18
626	NS103191-02-4		..NUTPLATE- (V80539) (SPEC BACN10KE3B4) (OPT F51750-3-4 (V15653)) (OPT RMF9213-4-3 (V72962)) (OPT BRFR220A3-4 (V52828))	AJ-AR	1
628	113T2315-3		..RIB- (USED ON ITEM 578)	AJ,AL ,AN,A Q	1
630	113T2315-7		..RIB- (USED ON ITEM 582)	AJ,AL ,AN,A Q	1
632	113T2315-19		..RIB- (USED ON ITEM 586)	AJ,AL ,AN,A Q	1
634	113T2315-23		..RIB- (USED ON ITEM 590)	AJ,AL ,AN,A Q	1

57-53-25

 ILLUSTRATED PARTS LIST
 01.1 Page 1090T
 Nov 01/05

FIG. & ITEM	PART NO.	AIRLINE PART NUMBER	NOMENCLATURE 1234567	EFF CODE	QTY PER ASSY
02-636	113T2315-27		..RIB- (USED ON ITEM 594)	AJ,AL ,AN,A Q	1
638	113T2315-35		..RIB- (USED ON ITEM 598)	AJ,AL ,AN,A Q	1
640	113T2315-43		..RIB- (USED ON ITEM 602)	AJ,AL ,AN,A Q	1
642	113T2315-47		..RIB- (USED ON ITEM 606)	AJ,AL ,AN,A Q	1
-644	113T2315-4		..RIB- (USED ON ITEM 580)	AK,AM ,AP,A R	1
-646	113T2315-8		..RIB- (USED ON ITEM 584)	AK,AM ,AP,A R	1
-648	113T2315-20		..RIB- (USED ON ITEM 588)	AK,AM ,AP,A R	1
-650	113T2315-24		..RIB- (USED ON ITEM 592)	AK,AM ,AP,A R	1
-652	113T2315-28		..RIB- (USED ON ITEM 596)	AK,AM ,AP,A R	1
-654	113T2315-36		..RIB- (USED ON ITEM 600)	AK,AM ,AP,A R	1
-656	113T2315-44		..RIB- (USED ON ITEM 604)	AK,AM ,AP,A R	1

57-53-25

FIG. & ITEM	PART NO.	AIRLINE PART NUMBER	NOMENCLATURE 1234567	EFF CODE	QTY PER ASSY
02- -658	113T2315-48		.RIB- (USED ON ITEM 608)	AK,AM ,AP,A R	1
660	113T2315-67		.RIB ASSY	AJ,AL ,AN,A Q	1
-662	113T2315-68		.RIB ASSY	AK,AM ,AP,A R	1
664	113T2315-69		.RIB ASSY	AJ,AL ,AN,A Q	1
-666	113T2315-70		.RIB ASSY	AK,AM ,AP,A R	1
668	113T2315-65		.RIB ASSY	AJ,AL ,AN,A Q	1
-670	113T2315-66		.RIB ASSY	AK,AM ,AP,A R	1
672	113T2315-66		.RIB ASSY	AJ,AL ,AN,A Q	1
-674	113T2315-65		.RIB ASSY	AK,AM ,AP,A R	1
676	HL11VAZ6-6		ATTACHING PARTS .BOLT- (V60516) (SPEC BACB30NW6K6) (OPT B30NW6K6 (V97928)) (OPT HL11VAZ6-6 (V73197)) (OPT HL11VAZ6-6 (V92215)) (OPT HL11VAZ6-6 (V97928)) (OPT L803-6K6 (V06725)) (OPT HL11VAZ6-6 (VOPTK6)) (OPT HL11VAZ6-6 (V56878))	AJ-AR	8

57-53-25

 ILLUSTRATED PARTS LIST
 01.1 Page 1090V
 Nov 01/05

FIG. & ITEM	PART NO.	AIRLINE PART NUMBER	NOMENCLATURE 1234567	EFF CODE	QTY PER ASSY
02-678	HL11VAZ6-5		.BOLT- (V60516) (SPEC BACB30NW6K5) (OPT HL11V6-5 (V92215)) (OPT HL11V6-5 (V97928)) (OPT L803-6-5 (V06725)) (OPT B30NW6K5 (V97928)) (OPT HL11VAZ6-5 (V73197)) (OPT HL11VAZ6-5 (V92215)) (OPT HL11VAZ6-5 (V56878))	AJ-AR	4
R 680	HL79-6		.COLLAR- (V5M902) (SPEC BACC30M6) (OPT HL79-6 (V73197)) (OPT HL79-6 (V92215)) (OPT 66014-6 (V56878)) (OPT HL79-6 (V56878))	AJ-AR	8
682	BACR15CE6KE		.RIVET- (SIZE DETERMINE ON INST)	AJ-AR	4
684	BACR15FT6AD		.RIVET- (SIZE DETERMINE ON INST)	AJ-AR	12
686	BACS4OR09B15F		.SHIM	AJ,AK	4

57-53-25

FIG. & ITEM	PART NO.	AIRLINE PART NUMBER	NOMENCLATURE 1234567	EFF CODE	QTY PER ASSY
02-					
R -686A	BACS40R009B015F		.SHIM	AL-AR	4
688	BACS40R09B18F		.SHIM	AJ,AK	4
R -688A	BACS40R009B018F		.SHIM	AL-AR	4
690	BACS40R08B25F		.SHIM	AJ,AK	4
R -690A	BACS40R008B025F		.SHIM	AL-AR	4
			-----*-----		
692	BACR15BA3AD		..RIVET- (SIZE DETERMINE ON INST)	AJ-AR	18
694	NS103194-02-4		..NUTPLATE- (V80539) (SPEC BACN10KE3E4) (OPT F51752-3-4 (V15653)) (OPT RMF9216-4-3 (V72962)) (OPT BRFR120A3-4 (V52828))	AJ-AR	5
696	NS103191-02-4		..NUTPLATE- (V80539) (SPEC BACN10KE3B4) (OPT F51750-3-4 (V15653)) (OPT RMF9213-4-3 (V72962)) (OPT BRFR220A3-4 (V52828))	AJ-AR	3
698	NS103191-02-4		..NUTPLATE- (V80539) (SPEC BACN10KE3B4) (OPT F51750-3-4 (V15653)) (OPT RMF9213-4-3 (V72962)) (OPT BRFR220A3-4 (V52828)) (USED ON ITEMS 660, 662)	AJ-AR	1

57-53-25

 ILLUSTRATED PARTS LIST
 01.1 Page 1090X
 Nov 01/05

FIG. & ITEM	PART NO.	AIRLINE PART NUMBER	NOMENCLATURE 1234567	EFF CODE	QTY PER ASSY
02-700	NS103191-02-3		..NUTPLATE- (V80539) (SPEC BACN10KE3B3) (OPT F51750-3-3 (V15653)) (OPT RMF9213-3-3 (V72962)) (OPT BRFR220A3-3 (V52828)) (USED ON ITEMS 664, 666, 668, 670, 672, 674)	AJ-AR	1
702	113T2315-11		..RIB- (USED ON ITEM 660)	AJ,AL ,AN,A Q	1
-704	113T2315-12		..RIB- (USED ON ITEM 662)	AK,AM ,AP,A R	1
706	113T2315-15		..RIB- (USED ON ITEM 664)	AJ,AL ,AN,A Q	1
-708	113T2315-16		..RIB- (USED ON ITEM 666)	AK,AM ,AP,A R	1
710	113T2315-31		..RIB- (USED ON ITEMS 668, 674)	AJ-AR	1
712	113T2315-32		..RIB- (USED ON ITEMS 670, 672)	AJ-AR	1
714	113T2315-57		..DOUBLER ASSY- (USED ON ITEMS 668, 674)	AJ-AR	1
716	113T2315-58		..DOUBLER ASSY- (USED ON ITEMS 670, 672)	AJ-AR	1
718	113T2315-61		..DOUBLER ASSY- (USED ON ITEMS 660, 666)	AJ-AR	1
720	113T2315-62		..DOUBLER ASSY- (USED ON ITEMS 662, 664)	AJ-AR	1

57-53-25

FIG. & ITEM	PART NO.	AIRLINE PART NUMBER	NOMENCLATURE 1234567	EFF CODE	QTY PER ASSY
02-722	BACR15BA3AD		...RIVET- (SIZE DETERMINE ON INST)	AJ-AR	14
724	NS103194-02-5		...NUTPLATE- (V80539) (SPEC BACN10KE3E5) (OPT F51752-3-5 (V15653)) (OPT RMF9216-5-3 (V72962)) (OPT BRFR120A3-5 (V52828)) (USED ON ITEMS 714, 716)	AJ-AR	1
726	NS103194-02-3		...NUTPLATE- (V80539) (SPEC BACN10KE3E3) (OPT F51752-3-3 (V15653)) (OPT RMF9216-3-3 (V72962)) (OPT BRFR120A3-3 (V52828)) (USED ON ITEMS 718, 720)	AJ-AR	1
728	NS103191-02-5		...NUTPLATE- (V80539) (SPEC BACN10KE3B5) (OPT F51750-3-5 (V15653)) (OPT RMF9213-5-3 (V72962)) (OPT BRFR220A3-5 (V52828)) (USED ON ITEMS 714, 716)	AJ-AR	4
730	NS103191-02-3		...NUTPLATE- (V80539) (SPEC BACN10KE3B3) (OPT F51750-3-3 (V15653)) (OPT RMF9213-3-3 (V72962)) (OPT BRFR220A3-3 (V52828)) (USED ON ITEMS 718, 720)	AJ-AR	4

57-53-25

 ILLUSTRATED PARTS LIST
 01.1 Page 1090Z
 Nov 01/05

FIG. & ITEM	PART NO.	AIRLINE PART NUMBER	NOMENCLATURE 1234567	EFF CODE	QTY PER ASSY
02-732	MF19058-3-5BAC		...NUTPLATE- (V15653) (SPEC BACN10YF35) (USED ON ITEMS 714, 716)	AJ-AR	1
734	MF19058-3-3BAC		...NUTPLATE- (V15653) (SPEC BACN10YF33) (USED ON ITEMS 718, 720)	AJ-AR	1
736	NS103191-02-3		...NUTPLATE- (V80539) (SPEC BACN10KE3B3) (OPT F51750-3-3 (V15653)) (OPT RMF9213-3-3 (V72962)) (OPT BRFR220A3-3 (V52828)) (USED ON ITEMS 714, 716)	AJ-AR	1
738	F5000-3BAC		...NUTPLATE- (V15653) (SPEC BACN10JR3F) (OPT NS103203-02 (V80539)) (OPT RMF9201-3 (V72962)) (OPT T8091S1032 (V11815)) (OPT VN152A1-02 (V92215)) (OPT BRF200A3 (V52828)) (USED ON ITEMS 718, 720)	AJ-AR	1

57-53-25

FIG. & ITEM	PART NO.	AIRLINE PART NUMBER	NOMENCLATURE 1234567	EFF CODE	QTY PER ASSY
02-740	113T2315-59		...DOUBLER- (USED ON ITEM 714)	AJ-AR	1
742	113T2315-60		...DOUBLER- (USED ON ITEM 716)	AJ-AR	1
744	113T2315-63		...DOUBLER- (USED ON ITEM 718)	AJ-AR	1
746	113T2315-64		...DOUBLER- (USED ON ITEM 720)	AJ-AR	1
748	113T2315-37		.RIB ASSY	AJ,AL ,AN,A Q	1
-750	113T2315-38		.RIB ASSY	AK,AM ,AP,A R	1
			ATTACHING PARTS		
752	BACB30MY6K3		.BOLT	AJ-AR	3
754	BACS40R09B25F		.SHIM	AJ,AK	1
R -754A	BACS40R009B025F		.SHIM	AL-AR	1
			-----*-----		
756	BACR15BA3AD		..RIVET- (SIZE DETERMINE ON INST)	AJ-AR	18
758	NS103194-02-4		..NUTPLATE- (V80539) (SPEC BACN10KE3E4) (OPT F51752-3-4 (V15653)) (OPT RMF9216-4-3 (V72962)) (OPT BRFR120A3-4 (V52828))	AJ-AR	1

57-53-25

 ILLUSTRATED PARTS LIST
 01.1 Page 1092
 Nov 01/05

FIG. & ITEM	PART NO.	AIRLINE PART NUMBER	NOMENCLATURE 1234567	EFF CODE	QTY PER ASSY
02-760	NS103194-02-6		..NUTPLATE- (V80539) (SPEC BACN10KE3E6) (OPT F51752-3-6 (V15653)) (OPT RMF9216-6-3 (V72962)) (OPT BRFR120A3-6 (V52828))	AJ-AR	4
762	NS103191-02-6		..NUTPLATE- (V80539) (SPEC BACN10KE3B6) (OPT F51750-3-6 (V15653)) (OPT RMF9213-6-3 (V72962)) (OPT BRFR220A3-6 (V52828))	AJ-AR	3
764	NS103191-02-5		..NUTPLATE- (V80539) (SPEC BACN10KE3B5) (OPT F51750-3-5 (V15653)) (OPT RMF9213-5-3 (V72962)) (OPT BRFR220A3-5 (V52828))	AJ-AR	1
766	113T2315-39		..RIB	AJ,AL ,AN,A Q	1
-768	113T2315-40		..RIB	AK,AM ,AP,A R	1
770	BACB30NN4K9		.BOLT	AJ-AR	4
772	113T2320-87		.WEDGE ASSY	AJ,AN	1
R -772A	113T2320-89		.WEDGE ASSY	AL	1
R -772B	113T2320-97		.WEDGE ASSY	AQ	1
-774	113T2320-88		.WEDGE ASSY	AK,AP	1
R -774A	113T2320-90		.WEDGE ASSY	AM	1
R -774B	113T2320-98		.WEDGE ASSY	AR	1
776	BACR15BA3AD		..RIVET- (SIZE DETERMINE ON INST)	AJ-AR	256

57-53-25

FIG. & ITEM	PART NO.	AIRLINE PART NUMBER	NOMENCLATURE 1234567	EFF CODE	QTY PER ASSY
02-778	NS103191-02-5		..NUTPLATE- (V80539) (SPEC BACN10KE3B5) (OPT F51750-3-5 (V15653)) (OPT RMF9213-5-3 (V72962)) (OPT BRFR220A3-5 (V52828))	AJ-AR	80
780	NS103194-02-5		..NUTPLATE- (V80539) (SPEC BACN10KE3E5) (OPT F51752-3-5 (V15653)) (OPT RMF9216-5-3 (V72962)) (OPT BRFR120A3-5 (V52828))	AJ-AR	48
R 782-782A	NAS1836A4N13 BACI12AD4A13N		..INSERT ..INSERT- (OPT ITEM 782B)	AJ-AP AQ,AR	8 8
R -782B	NAS1836A4N13		..INSERT- (OPT ITEM 782A)	AQ,AR	8
784	BACR15BA3AD		..RIVET- (SIZE DETERMINE ON INST)	AJ-AR	40
786	BACN10FY34		..NUTPLATE	AJ-AR	7
788	BACN10FY32		..NUTPLATE	AJ-AR	7
790	BRFM20A3		..NUTPLATE- (V52828) (SPEC BACN10JN3) (OPT MF1000-3BAC (V15653)) (OPT NS103218-02 (V80539)) (OPT RMF9201M3 (V72962)) (OPT VN252A02 (V92215)) (OPT T8124S3S (V11815)) (OPT MF53049-3 (V15653))	AJ-AR	6

57-53-25

 ILLUSTRATED PARTS LIST
 01.1 Page 1092B
 Nov 01/05

FIG. & ITEM	PART NO.	AIRLINE PART NUMBER	NOMENCLATURE 1234567	EFF CODE	QTY PER ASSY
02-792	BACR15CE6KE		..RIVET- (SIZE DETERMINE ON INST)	AJ-AR	2
794	113T2320-85		..CLIP ASSY	AJ,AL ,AN,A Q	1
-796	113T2320-86		..CLIP ASSY	AK,AM ,AP,A R	1
798	BACR15BA3AD		...RIVET- (SIZE DETERMINE ON INST)	AJ-AR	2
800	BACN10FY34		DELETED		
R 800A	MF19058-3-4BAC		...NUTPLATE- (V15653) (SPEC BACN10YF34)	AJ-AR	1
802	113T2320-83		...CLIP	AJ,AL ,AN,A Q	1
-804	113T2320-84		...CLIP	AK,AM ,AP,A R	1
806	113T2320-63		..DOUBLER ASSY	AJ,AL ,AN,A Q	1
-808	113T2320-64		..DOUBLER ASSY	AK,AM ,AP,A R	1
			ATTACHING PARTS		
810	BACB30NN3K6		..BOLT	AJ-AR	4
812	AN960JD10		..WASHER	AJ-AP	4
R -812A	NAS1149D0363J		..WASHER	AQ,AR	4
814	MS21042L3		..NUT	AJ-AP	4
R -814A	PLH53CD		..NUT- (V62554) (SPEC BACN10YR3CD) (OPT H52732-3CD (V15653)) (OPT ITEM 814B)	AQ,AR	4

57-53-25

FIG. & ITEM	PART NO.	AIRLINE PART NUMBER	NOMENCLATURE 1234567	EFF CODE	QTY PER ASSY
R 02-814B	MS210423L		..NUT- (OPT ITEM 814A)	AQ,AR	4
816	HL11VAZ6-6		..BOLT- (V60516) (SPEC BACB30NW6K6) (OPT B30NW6K6 (V97928)) (OPT HL11VAZ6-6 (V73197)) (OPT HL11VAZ6-6 (V92215)) (OPT HL11VAZ6-6 (V97928)) (OPT L803-6K6 (V06725)) (OPT HL11VAZ6-6 (V0PTK6)) (OPT HL11VAZ6-6 (V56878))	AJ-AR	6
818	HL79-6		..COLLAR- (V5M902) (SPEC BACC30M6) (OPT HL79-6 (V73197)) (OPT HL79-6 (V92215)) (OPT 66014-6 (V56878)) (OPT HL79-6 (V56878)) -----*	AJ-AR	6

57-53-25

ILLUSTRATED PARTS LIST
01.1 Page 1092D
Nov 01/05

FIG. & ITEM	PART NO.	AIRLINE PART NUMBER	NOMENCLATURE 1234567	EFF CODE	QTY PER ASSY
02-820	BACR15BA3AD		...RIVET- (SIZE DETERMINE ON INST)	AJ-AR	16
822	NS103194-02-4		...NUTPLATE- (V80539) (SPEC BACN10KE3E4) (OPT F51752-3-4 (V15653)) (OPT RMF9216-4-3 (V72962)) (OPT BRFR120A3-4 (V52828))	AJ-AR	2
824	NS103191-02-4		...NUTPLATE- (V80539) (SPEC BACN10KE3B4) (OPT F51750-3-4 (V15653)) (OPT RMF9213-4-3 (V72962)) (OPT BRFR220A3-4 (V52828))	AJ-AR	6
826	113T2320-65		...DOUBLER	AJ,AL ,AN,A Q	1
-828	113T2320-66		...DOUBLER	AK,AM ,AP,A R	1
830	113T2320-79		..DOUBLER ASSY	AJ,AL ,AN,A Q	1
-832	113T2320-80		..DOUBLER ASSY	AK,AM ,AP,A R	1
			ATTACHING PARTS		

57-53-25

FIG. & ITEM	PART NO.	AIRLINE PART NUMBER	NOMENCLATURE 1234567	EFF CODE	QTY PER ASSY
02-834	HL11VAZ6-5		..BOLT- (V60516) (SPEC BACB30NW6K5) (OPT HL11V6-5 (V92215)) (OPT HL11V6-5 (V97928)) (OPT L803-6-5 (V06725)) (OPT B30NW6K5 (V97928)) (OPT HL11VAZ6-5 (V73197)) (OPT HL11VAZ6-5 (V92215)) (OPT HL11VAZ6-5 (V56878))	AJ-AR	8
836	HL79-6		..COLLAR- (V5M902) (SPEC BACC30M6) (OPT HL79-6 (V73197)) (OPT HL79-6 (V92215)) (OPT 66014-6 (V56878)) (OPT HL79-6 (V56878)) -----*	AJ-AR	8
838	BACR15BA3AD		...RIVET- (SIZE DETERMINE ON INST)	AJ-AR	20
840	NS103194-02-2		...NUTPLATE- (V80539) (SPEC BACN10KE3E2) (OPT F51752-3-2 (V15653)) (OPT RMF9216-2-3 (V72962)) (OPT BRFR120A3-2 (V52828))	AJ-AR	2

57-53-25

 ILLUSTRATED PARTS LIST
 01.1 Page 1092F
 Nov 01/05

FIG. & ITEM	PART NO.	AIRLINE PART NUMBER	NOMENCLATURE 1234567	EFF CODE	QTY PER ASSY
02-842	NS103191-02-2		...NUTPLATE- (V80539) (SPEC BACN10KE3B2) (OPT F51750-3-2 (V15653)) (OPT RMF9213-2-3 (V72962)) (OPT BRFR220A3-2 (V52825))	AJ-AR	8
844	113T2320-55		...DOUBLER	AJ,AL ,AN,A Q	1
-846	113T2320-56		...DOUBLER	AK,AM ,AP,A R	1
848	113T2320-23		..DOUBLER ASSY	AJ,AL ,AN,A Q	1
-850	113T2320-24		..DOUBLER ASSY	AK,AM ,AP,A R	1
852	BACR15CE6KE		ATTACHING PARTS ..RIVET- (SIZE DETERMINE ON INST) -----*-----	AJ-AR	2
854	BACR15BA3AD		...RIVET- (SIZE DETERMINE ON INST)	AJ-AR	4
856	NS103191-02-4		...NUTPLATE- (V80539) (SPEC BACN10KE3B4) (OPT F51750-3-4 (V15653)) (OPT RMF9213-4-3 (V72962)) (OPT BRFR220A3-4 (V52828))	AJ-AR	2

57-53-25

FIG. & ITEM	PART NO.	AIRLINE PART NUMBER	NOMENCLATURE 1234567	EFF CODE	QTY PER ASSY
02-					
858	113T2320-25		...DOUBLER	AJ-AR	1
860	113T2332-3		..SPAR ASSY-WEDGE	AJ,AL	1
				,AN	
R -860A	113T2332-5		..SPAR ASSY-WEDGE	AQ	1
-862	113T2332-4		..SPAR ASSY-WEDGE	AK,AM	1
				,AP	
R -862A	113T2332-6		..SPAR ASSY-WEDGE ATTACHING PARTS	AR	1
864	HL11VAZ6-6		..BOLT- (V60516) (SPEC BACB30NW6K6) (OPT B30NW6K6 (V97928)) (OPT HL11VAZ6-6 (V73197)) (OPT HL11VAZ6-6 (V92215)) (OPT HL11VAZ6-6 (V97928)) (OPT L803-6K6 (V06725)) (OPT HL11VAZ6-6 (V0PTK6)) (OPT HL11VAZ6-6 (V56878))	AJ-AR	12
866	HL79-6		..COLLAR- (V5M902) (SPEC BACC30M6) (OPT HL79-6 (V73197)) (OPT HL79-6 (V92215)) (OPT 66014-6 (V56878)) (OPT HL79-6 (V56878)) -----*	AJ-AR	12

57-53-25

 ILLUSTRATED PARTS LIST
 01.1 Page 1092H
 Nov 01/05

FIG. & ITEM	PART NO.	AIRLINE PART NUMBER	NOMENCLATURE 1234567	EFF CODE	QTY PER ASSY
02- 868 870	113T2331-1 HL11VAZ6-3		...CLIP ...BOLT- (V60516) (SPEC BACB30NW6K3) (OPT B30NW6K3 (V97928)) (OPT HL11VAZ6-3 (V73197)) (OPT HL11VAZ6-3 (V92215)) (OPT HL11VAZ6-3 (V97928)) (OPT L803-6K3 (V06725)) (OPT HL11VAZ6-3 (V0PTK6)) (OPT HL11VAZ6-3 (V56878))	AJ-AR AJ-AR	3 9
872	HL79-6		...COLLAR- (V5M902) (SPEC BACC30M6) (OPT HL79-6 (V73197)) (OPT HL79-6 (V92215)) (OPT 66014-6 (V56878)) (OPT HL79-6 (V56878))	AJ-AR	9

57-53-25

FIG. & ITEM	PART NO.	AIRLINE PART NUMBER	NOMENCLATURE 1234567	EFF CODE	QTY PER ASSY
02-874	113T2331-2		...CLIP	AJ-AR	12
876	BACR15CE5KE		...RIVET- (SIZE DETERMINE ON INST)	AJ-AR	36
878	113T2343-29		...FITTING	AJ-AR	1
880	HL11VAZ6-4		...BOLT- (V60516) (SPEC BACB30NW6K4) (OPT HL11V6-4 (V92215)) (OPT HL11V6-4 (V97928)) (OPT L803-6-4 (V06725)) (OPT B30NW6K4 (V97928)) (OPT HL11VAZ6-4 (V73197)) (OPT HL11VAZ6-4 (V92215)) (OPT HL11VAZ6-4 (V56878))	AJ-AR	6
882	HL79-6		...COLLAR- (V5M902) (SPEC BACC30M6) (OPT HL79-6 (V73197)) (OPT HL79-6 (V92215)) (OPT 66014-6 (V56878)) (OPT HL79-6 (V56878))	AJ-AR	6
884	BACS40R08C28F		...SHIM	AJ-AR	1
886	113T2343-9		...FITTING ASSY	AJ,AL ,AN,A Q	1
-888	113T2343-10		...FITTING ASSY	AK,AM ,AP,A R	1

57-53-25

FIG. & ITEM	PART NO.	AIRLINE PART NUMBER	NOMENCLATURE 1234567	EFF CODE	QTY PER ASSY
02-					
890	HL11VAZ6-4		ATTACHING PARTS ...BOLT- (V60516) (SPEC BACB30NW6K4) (OPT HL11V6-4 (V92215)) (OPT HL11V6-4 (V97928)) (OPT L803-6-4 (V06725)) (OPT B30NW6K4 (V97928)) (OPT HL11VAZ6-4 (V73197)) (OPT HL11VAZ6-4 (V92215)) (OPT HL11VAZ6-4 (V56878))	AJ-AR	9
892	HL79-6		...COLLAR- (V5M902) (SPEC BACC30M6) (OPT HL79-6 (V73197)) (OPT HL79-6 (V92215)) (OPT 66014-6 (V56878)) (OPT HL79-6 (V56878)) -----*	AJ-AR	9
894	BACB28AM06B019A	BUSHING	AJ-AR	1
896	113T2104-18	BUSHING	AJ-AR	1
898	BACS40R18B32F		DELETED		
900	113T2343-11	FITTING	AJ,AL ,AN,A Q	1
-902	113T2343-12	FITTING	AK,AM ,AP,A R	1
R 903	BACS40R18B32F		...SHIM	AJ-AR	2
904	113T2343-5		...FITTING ASSY	AJ,AL ,AN,A Q	1

57-53-25

FIG. & ITEM	PART NO.	AIRLINE PART NUMBER	NOMENCLATURE 1234567	EFF CODE	QTY PER ASSY
02-906	113T2343-6		...FITTING ASSY	AK,AM,AP,AR	1
908	HL11VAZ6-4		ATTACHING PARTS ...BOLT- (V60516) (SPEC BACB30NW6K4) (OPT HL11V6-4 (V92215)) (OPT HL11V6-4 (V97928)) (OPT L803-6-4 (V06725)) (OPT B30NW6K4 (V97928)) (OPT HL11VAZ6-4 (V73197)) (OPT HL11VAZ6-4 (V92215)) (OPT HL11VAZ6-4 (V56878))	AJ-AR	9
910	HL79-6		...COLLAR- (V5M902) (SPEC BACC30M6) (OPT HL79-6 (V73197)) (OPT HL79-6 (V92215)) (OPT 66014-6 (V56878)) (OPT HL79-6 (V56878)) -----*	AJ-AR	9

57-53-25

ILLUSTRATED PARTS LIST
01.1 Page 1092L
Nov 01/05

FIG. & ITEM	PART NO.	AIRLINE PART NUMBER	NOMENCLATURE 1234567	EFF CODE	QTY PER ASSY
02-912	BACR15BA3AD	RIVET- (SIZE DETERMINE ON INST)	AJ-AR	4
914	NS103193-048	NUTPLATE- (V80539) (SPEC BACN10KE4D) (OPT F51754-4 (V15653))	AJ-AR	2
916	113T2343-28	SHIM	AJ-AR	2
918	113T2343-7	FITTING	AJ,AL ,AN,A Q	1
-920	113T2343-8	FITTING	AK,AM ,AP,A R	1
922	BACS40R18C38F		...SHIM	AJ-AR	1
924	113T2343-1		...FITTING ASSY	AJ,AL ,AN,A Q	1
-926	113T2343-2		...FITTING ASSY	AK,AM ,AP,A R	1
928	HL11VAZ6-4		ATTACHING PARTS ...BOLT- (V60516) (SPEC BACB30NW6K4) (OPT HL11V6-4 (V92215)) (OPT HL11V6-4 (V97928)) (OPT L803-6-4 (V06725)) (OPT B30NW6K4 (V97928)) (OPT HL11VAZ6-4 (V73197)) (OPT HL11VAZ6-4 (V92215)) (OPT HL11VAZ6-4 (V56878))	AJ-AR	9

57-53-25

FIG. & ITEM	PART NO.	AIRLINE PART NUMBER	NOMENCLATURE 1234567	EFF CODE	QTY PER ASSY
02-930	HL79-6		...COLLAR- (V5M902) (SPEC BACC30M6) (OPT HL79-6 (V73197)) (OPT HL79-6 (V92215)) (OPT 66014-6 (V56878)) (OPT HL79-6 (V56878)) -----*	AJ-AR	9
932	BACB28AM06B019A	BUSHING	AJ-AR	1
934	113T2104-18	BUSHING	AJ-AR	1
936	113T2343-3	FITTING	AJ,AL ,AN,A Q	1
-938	113T2343-4	FITTING	AK,AM ,AP,A R	1
R 940	BACS40R18B33F		...SHIM	AJ-AR	2
R 941	BACR15BA3AD		...RIVET- (SIZE DETERMINE ON INST)	AJ-AR	4
R 942	113T2330-1		DELETED		
R 942A	BRFR220A4-6		...NUTPLATE- (V52828) (SPEC BACN10KE4B6) (OPT RMF9213-6-4 (V72962)) (OPT NS103191-048-6 (V80539)) (OPT F51750-4-6 (V15653))	AJ-AR	2

57-53-25

 ILLUSTRATED PARTS LIST
 01.1 Page 1092N
 Nov 01/05

FIG. & ITEM	PART NO.	AIRLINE PART NUMBER	NOMENCLATURE 1234567	EFF CODE	QTY PER ASSY
R 02-943	113T2330-3		...SPAR-WEDGE	AJ,AL ,AN	1
R -943A	113T2330-5		...SPAR-WEDGE	AQ	1
R -944	113T2330-2		DELETED		
R -944A	113T2330-4		...SPAR-WEDGE	AK,AM ,AP	1
R -944B	113T2330-6		...SPAR-WEDGE	AR	1
R 946	MS27253-3F		DELETED		
R 946A	MS27253F3		.PLATE	AJ-AR	1

- Item Not Illustrated

57-53-25